

Orientalmotor

Hybrid Stepper Servo α STEP

AZ Series

Battery-Free Absolute Mechanical
Sensor Equipped Motor

α STEP



Absolute + Battery-free = Advanced Positioning

Hybrid Stepper Servo α STEP

AZ Series

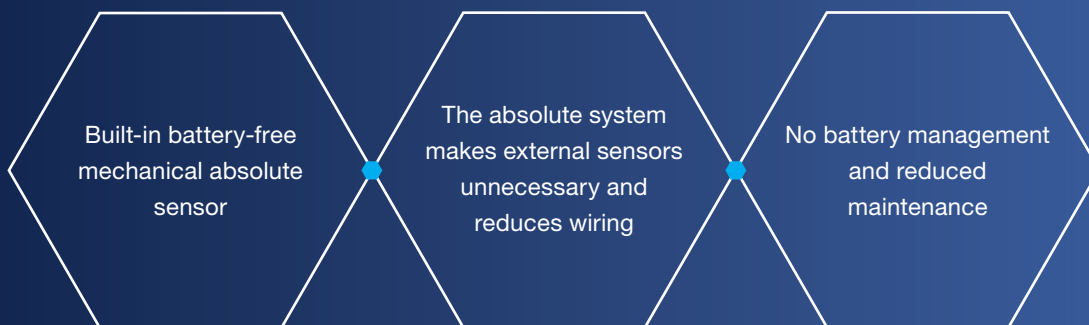
Built-in Battery-Free Absolute Sensor

- Prices start at 626.00 € [Price includes motor, driver and cable (1 m)]

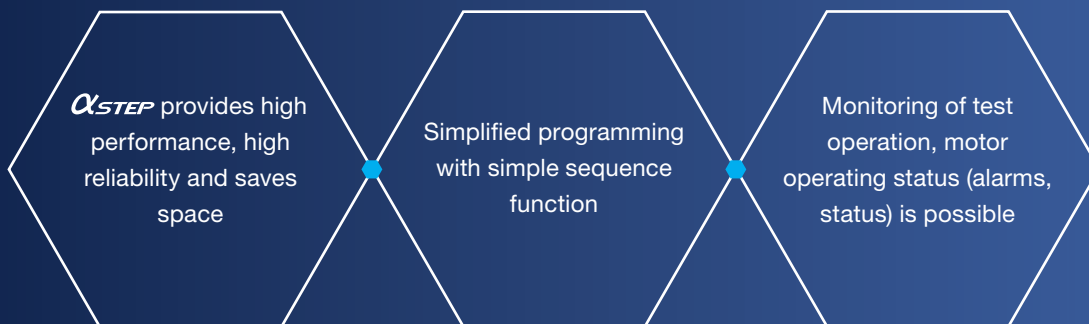


The **AZ Series** has a built-in absolute sensor (patented), which provides a battery-free absolute system. The drive system uses a α STEP. This provides both ease of use and reliability.

- Equipped with absolute sensor. Provides battery-free absolute system



- α STEP. Compact, high response, high reliability, high efficiency motors



What is the α STEP?

α STEP are stepper motor-based motors which provide unique control that are a hybrid of the advantages of both open loop control and closed loop control. The motor's position is always monitored, and it can automatically switch between the two control types depending on conditions. It normally operates in open loop control, and activates synchronously with commands, providing high responsiveness. Under an overload condition, the motor position is corrected and it operates in the closed loop control mode. These motors combine ease of use with reliability.

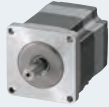


AZ Series Product Line

A product line to support a wide variety of equipment, controllers and systems.

Motor

Standard Type



Frame Size 20 mm~85 mm

TS Geared Type

<Spur Gear Mechanism>

Low Backlash

High Speed Operation



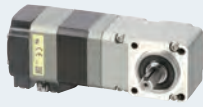
Frame Size 42 mm~90 mm

Right-Angle FC Geared Type

<Face Gear Mechanism>

Low Backlash

Space Saving



Frame Size 42 mm, 60 mm

PS Geared Type

<Planetary Gear Mechanism>

Low Backlash

High Torque



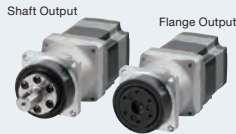
Frame Size 28 mm~90 mm

HPG Geared Type

<Harmonic Planetary>

Non-Backlash

High Torque, High Accuracy



Frame Size 40 mm~90 mm

Harmonic Geared Type

<Harmonic Drive>

Non-Backlash

High Torque, High Accuracy



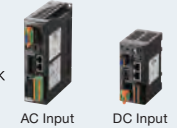
Frame Size 30 mm~90 mm

Driver

Network Compatible Driver

FA Network Control

The driver can be controlled directly from the host control device via the FA network.

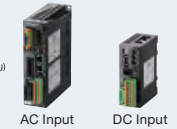


Built-in Controller Type

FLEX

I/O Control/
Modbus Control

Positioning data is set to the driver (256 points). Capable of FA network control when a network converter (sold separately) is used.



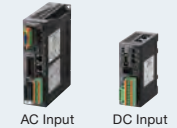
Modbus (RTU)

FLEX is the collective name for products that support I/O control, Modbus (RTU) control and FA network control via network converters.

Pulse Input Type with RS-485 Communication

Pulse Signal Control

Motor position, speed, torque, alarms and temperature can be monitored using RS-485 communication.



Pulse Input Type

The motor is controlled from the positioning module (pulse generator).

mini Driver

FA Network Control/
Modbus Control

A network compatible driver that is smaller and lighter than box-type drivers. Also compatible with battery power supplies.



Details about this product are in the separate mini driver catalog.

Network Compatible Multi-Axis Driver

FA Network Control

This is a multi-axis driver that is compatible with SSCNET III/H, MECHATROLINK-III and EtherCAT driver profiles.



It can connect to 2, 3 or 4 axes.

Details about this product are in the separate multi-axis driver catalog.

Linear and Rotary Actuators Equipped with AZ Series

Because the same motors and drivers are used, wiring, control and maintenance parts have been standardized, startup time is reduced and operation is simplified.

Electric Linear Slides EZS Series EAS Series



Electric Linear Cylinders EAC Series



Hollow Rotary Actuators DGII Series



Compact Electric Linear Cylinders DR Series DRS2 Series



Electric Gripper EH Series



Rack-and-Pinion System L Series



● EtherCAT is a patented technology licensed from Beckhoff Automation GmbH (Germany) and is a registered trademark of that company.
 ● EtherNet/IP is a registered trademark of ODVA. MECHATROLINK is a registered trademark of MECHATROLINK Members Association. CC-Link is a registered trademark of CC-Link Partner Association, and Modbus (RTU) is a registered trademark of Schneider Automation Inc.
 ● PROFIBUS is a registered trademark or trademark of PROFIBUS Nutzerorganisation e.V. (PNO) and SSCNET III/H is a registered trademark or trademark of Mitsubishi Electric Corporation.
 ● Harmonic Planetary, Harmonic Drive and HPG are registered trademarks of Harmonic Drive Systems Inc.

Equipped with a Newly Developed Absolute Mechanical Sensor, Advanced Technology is Available at an Affordable Price

Newly Developed Absolute Mechanical Sensor

A newly developed compact, low cost, battery-free absolute mechanical sensor (patented) is developed which contributes to productivity improvements and cost reductions.



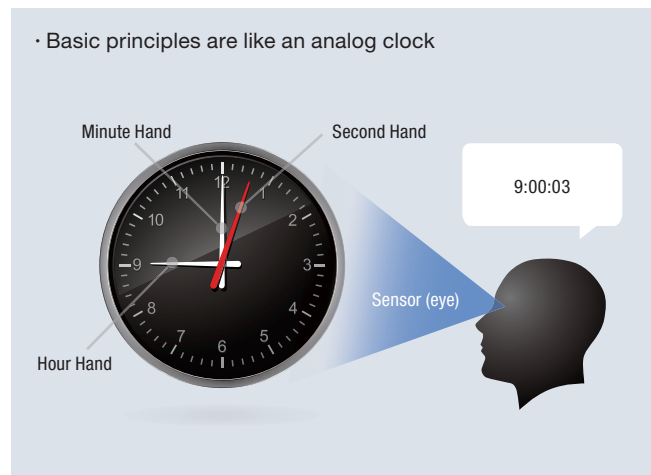
●Mechanical Sensor

Analog clocks measure the current time based on the positions of the second hand, minute hand and hour hand. The newly developed sensor is a mechanical sensor equipped with multiple gears equivalent to the hands on a clock. Because it detects positioning information by detecting the angles of the respective gears, a battery is not required.

●Multiple - Rotation Absolute System

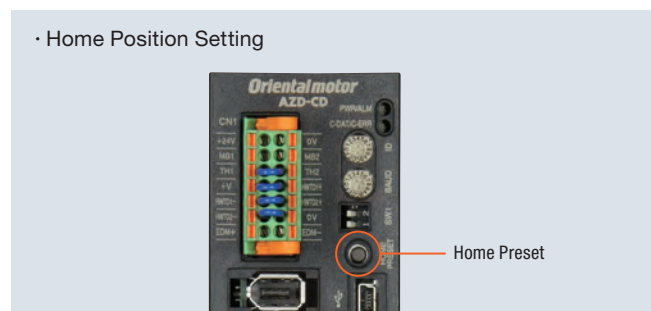
Absolute position detection is possible with ± 900 rotations (1800 rotations)* of the motor shaft from the home position.

*The frame sizes 20 mm and 28 mm are ± 450 rotations (900 rotations).



●Home Setting Method

By pressing the switch on the driver surface, home position can be set simply, and the home position can be saved with the sensor. Furthermore, it is possible to set the home position using the support software (**MEXE02**) or the external input signal.



Eliminate Extra Sensors with a Battery-Free Absolute System

No External Sensors Required

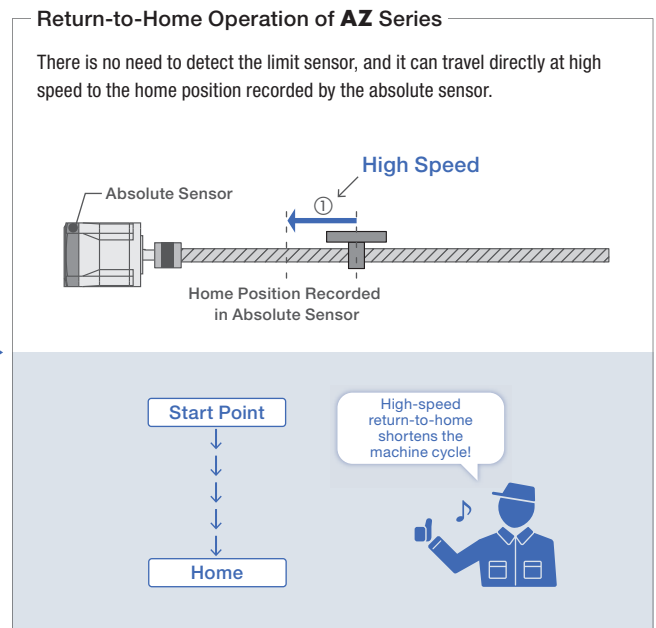
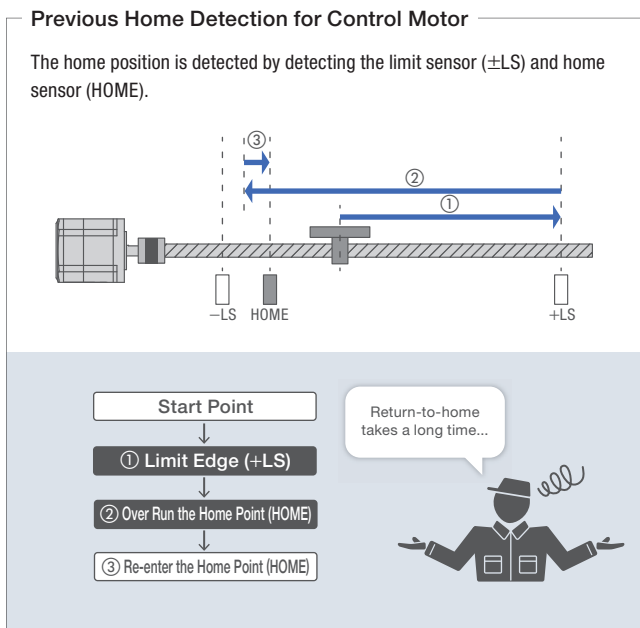
External sensors such as the home sensor or limit sensor are not required with an absolute system.

●High-Speed Return-to-Home + Improved Return-to-Home Accuracy

High speed return-to-home is possible without the use of a home sensor.

Reducing return-to-home time helps to shorten the machine cycle.

Home position accuracy is increased because variations in sensor sensitivity are eliminated.



●Decrease Costs

Sensor costs and wiring costs can be reduced.

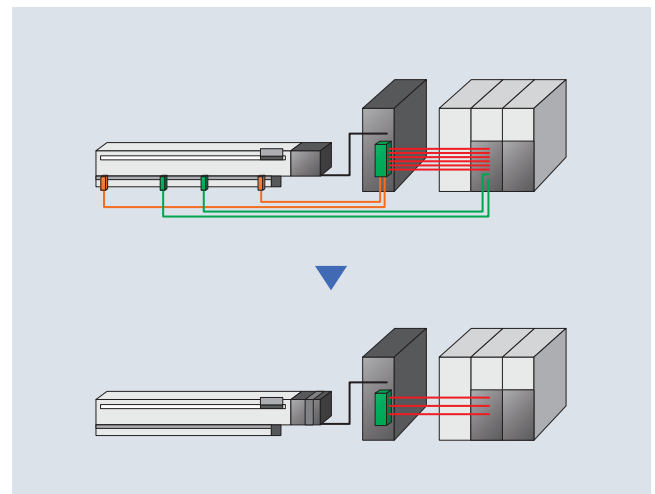
●Reduced Wiring

Sensor cables are no longer necessary, so the degree of freedom for equipment design is increased.

●External Sensor Malfunctions Have No Impact

There is no concern about sensor malfunctions (when operating in environments filled with oil mist or filled with metal pieces due to metal processing), sensor failures or wire disconnections.

●Software limits on the driver can be used to prevent operation beyond the limits.



Battery-Free Absolute System

Battery-Free

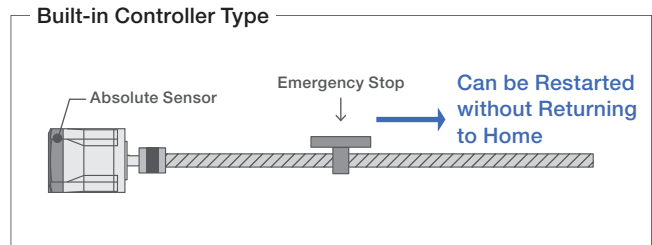
No battery is necessary for a mechanical-type sensor.
Positioning information is managed mechanically by the absolute sensor.



● Operation Resumes Immediately from the Stopped Position Even After an Emergency Stop

Even if the power shuts down during a positioning operation or the cable between the motor and the driver is disconnected, the positioning information is retained. With the built-in controller type, you can restart the positioning operation, without performing return-to-home after an emergency stop on the production line or a blackout.

- Because the positioning information is stored in the Absolute sensor, the home position must be reset if the motor is replaced.

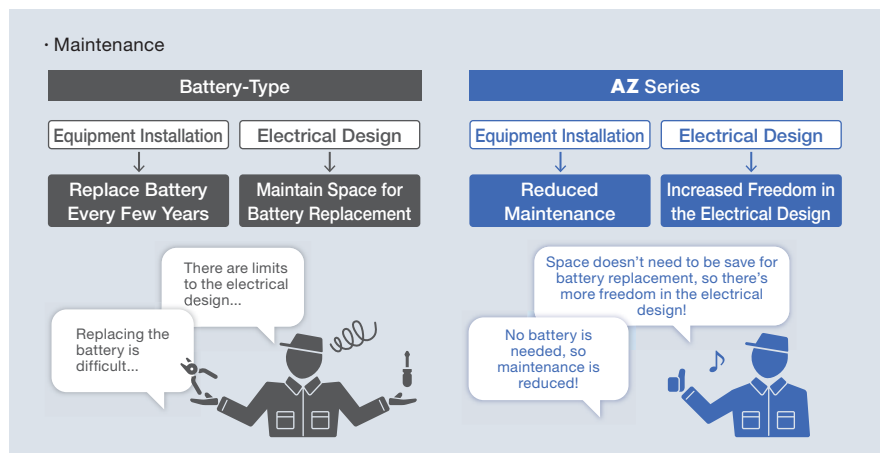


● No Battery to Replace

Reduces maintenance time and costs.

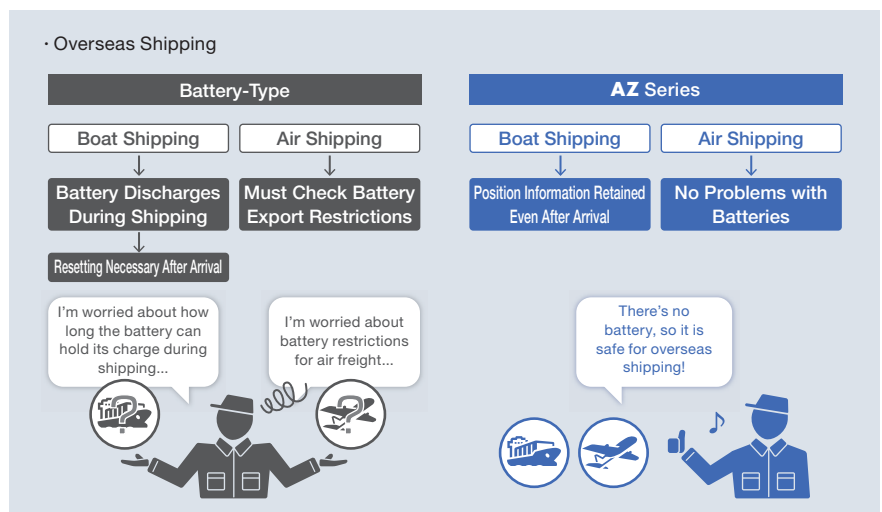
● Unlimited Driver Installation Possibilities

Because there is no need to secure space for battery replacement, there are no restrictions on the installation location of the driver, improving the flexibility and freedom of the layout design of the control cabinet.



● Safe for Overseas Shipping

Normal batteries will self-discharge, so care must be taken when the equipment requires a long shipping time, such as when being sent overseas. The absolute sensor does not require a battery, so there is no limit as to how long the positioning information is maintained. In addition, there is no need to worry about various safety regulations, which must be taken into consideration when shipping a battery overseas.



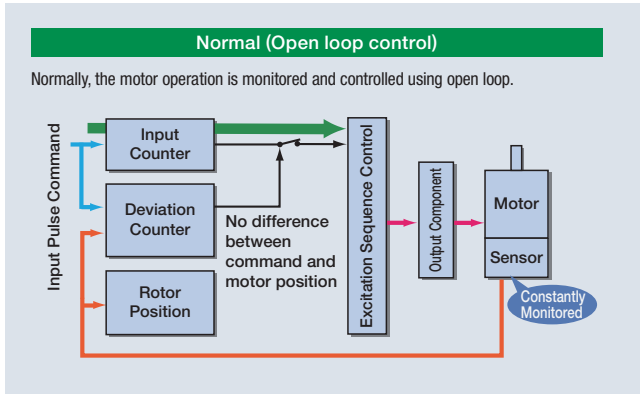
Features of α STEP

Hybrid Control Allows for Control that is Both Easier to Use and More Accurate

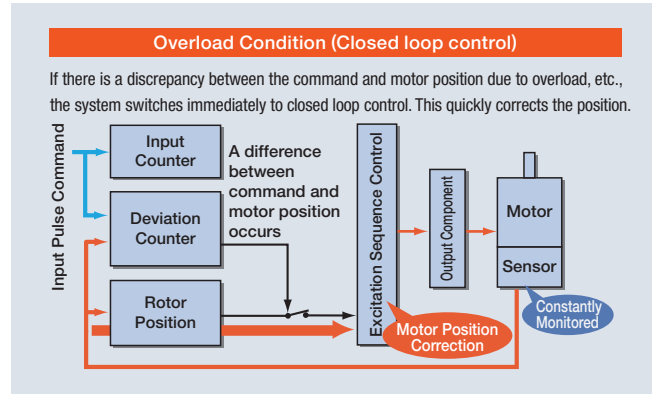
α STEP is a stepper motor-based series of motors with a unique hybrid control system that combines the advantages of both open loop and closed loop control.

The motor position is constantly monitored and control is switched to one of the two types depending on the situation.

- The Control is Normally Open Loop, and Provides Ease of Use Similar to a Stepper Motor

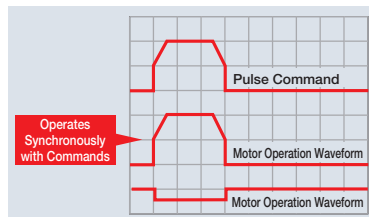


- Control Switches to Closed Loop During an Overload, Allowing for More Reliable Operation



High Response

By utilizing the high responsiveness of the stepper motor, moving a short distance for a short time is possible. The motors can execute commands without lagging.



Continues Operation Even with Sudden Load Fluctuation and Sudden Acceleration

It operates synchronously with commands using open loop control during normal conditions. In an overload condition, it switches immediately to closed loop control to correct the position.

Alarm Signal Output in Case of Abnormality

If an overload is applied continuously, an alarm signal is output. When the positioning is complete, an END signal is output. This ensures the same level of reliability as a servo motor.

Holding the Stop Position without Hunting

During positioning, the motor stops with its own holding force without hunting. Because of this, it is ideal for applications where the low rigidity of the mechanism requires absence of vibration upon stopping.

Tuning-Free

Because it is normally operated with open loop control, positioning is still possible without gain adjustment even when the load fluctuates etc. due to the use of a belt mechanism, cam or chain drive, etc.

Smooth Operation Even at Low Speed

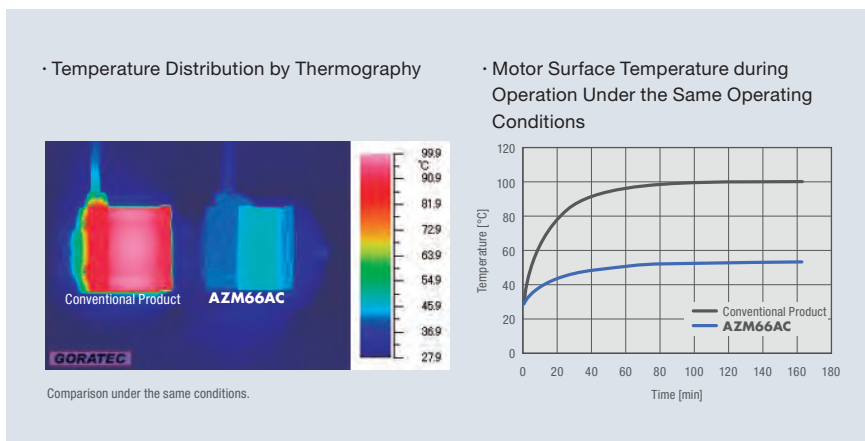
Thanks to the standard microstep drive and smooth drive function*, vibration is reduced even at low speed and the motor can move objects smoothly.

*The smooth drive function automatically microsteps based on the same traveling amount and speed used in the full step mode, without changing the pulse input settings.

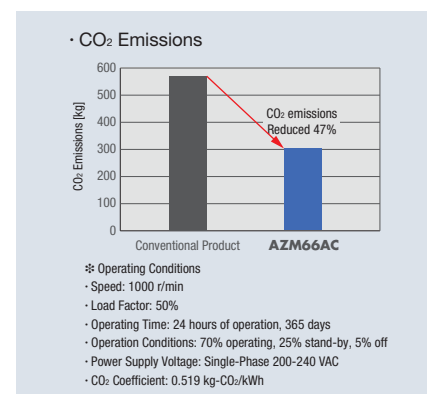
Power Saving, Low Heat Generation

High-efficiency motors reduce heat generation and save energy.

- Significantly Reduced Heat Generation












- Power Consumption and CO₂ Emissions 47% Less than Conventional Products (Compared to other Oriental Motors products)



Driver Types

AC : Single-Phase 100-120 VAC, Single-Phase/Three-Phase 200-240 VAC Input

DC : 24/48 VDC Input

Interface	Driver Type (Driver type names)		
	 Single-Axis Driver	 mini Driver	 Multi-Axis Driver
 EtherCAT®	<p>AC DC</p> <p>EtherCAT Drive Profile Compatible *1</p>	<p>DC</p> <p>EtherCAT Drive Profile Compatible *1</p>	<p>DC</p> <p>EtherCAT Drive Profile Compatible *1</p>
 EtherNet/IP®	<p>AC DC</p> <p>EtherNet/IP Compatible</p>	<p>DC</p> <p>EtherNet/IP Compatible</p>	—
 PROFINET	<p>AC DC</p> <p>PROFINET Compatible</p>	<p>DC</p> <p>PROFINET Compatible</p>	—
 MECHATROLINK	<p>AC</p> <p>MECHATROLINK-III Compatible</p>	<p>DC</p> <p>RS-485 Communication Type *2</p>	<p>DC</p> <p>MECHATROLINK-III Compatible</p>
 SSCNET III/H SERVO SYSTEM CONTROLLER NETWORK	<p>AC</p> <p>SSCNET III/H Compatible</p>	—	<p>DC</p> <p>SSCNET III/H Compatible</p>
 CC-Link	<p>AC DC</p> <p>Built-in Controller Type *2</p>	<p>DC</p> <p>RS-485 Communication Type *2</p>	—
Modbus (RTU)	<p>AC DC</p> <p>Built-in Controller Type</p>	<p>DC</p> <p>RS-485 Communication Type</p>	—
Pulse	<p>AC DC</p> <p>Pulse Input Type Pulse Input Type with RS-485 Communication</p>	—	—
I/O	<p>AC DC</p> <p>Built-in Controller Type</p>	—	—

*1 EtherCAT drive profile compatible drivers have passed the official EtherCAT conformance test.

*2 Control using CC-Link and MECHATROLINK is possible when used with an optional network converter (gateway).

Single-Axis Driver

A wide variety of interface types and power supply input types are available. AC input drivers can create high torque, which contributes to a reduction in positioning time. Compact DC input drivers contribute to saving installation space and making equipment smaller and lighter. Consider the purpose and application when selecting.

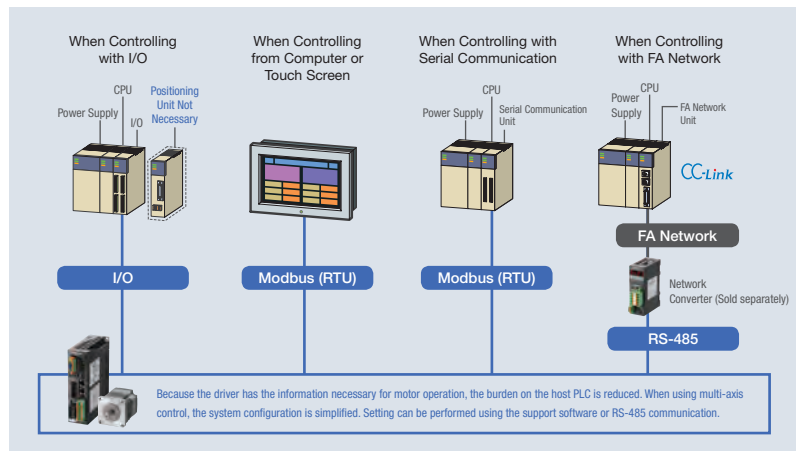


Network Compatible Driver

These are compatible with the major industrial networks used around the globe. This helps with centralized management of equipment information and reduced wiring. Compatible interfaces: EtherCAT, EtherNet/IP, PROFINET, MECHATROLINK-III, SSCNETIII/H, Modbus (RTU)

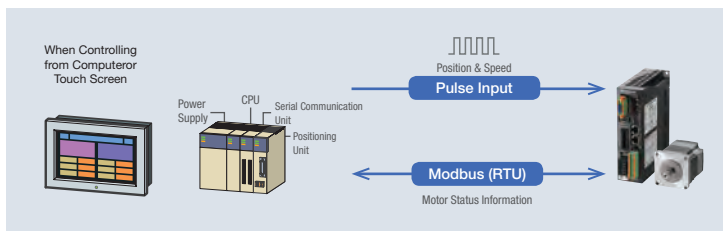
Built-in Controller Type **FLEX**

- The operating data, such as position or speed, is set in the driver, and is then selected and executed from the I/O unit. A maximum of 256 points of operating data can be registered.
- Control can be performed using I/O, Modbus (RTU) or a network converter (gateway). When used with a network converter, control via CC-Link is possible.



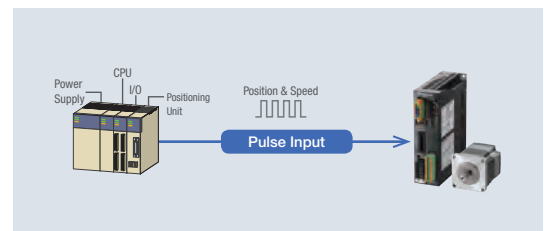
Pulse Input Type with RS-485 Communication

Operation is executed according to the pulse signal input to the driver. Motor status information (position, speed, torque, alarms and temperature) can be monitored using RS-485 communication.



Pulse Input Type

Operation is executed according to the pulse signal input to the driver. Alarm history can be checked and various conditions can be monitored with the support software **MEXE02**.



mini Driver

Modular Automation Compatible Products

Compact and lightweight design was pursued. Can be installed in narrow spaces. The broad voltage specifications that can be used with a battery power supply make this suitable for integration into self-powered equipment.



"Modular Automation Compatible Products" are a group of products based on the shared concept of battery operation, compact size and lightweight. Ideal for installation in self-propelled equipment and mobile facilities, they contribute to the creation of flexible automation lines and modular automation, which will see increasing demand in the future.

● Please refer to the appropriate separate catalog for details about the products.

Multi-Axis Driver

Multiple axes (max. 4 axes) can be controlled with a single driver. The host control device and power supply connections have been consolidated into a single driver, which contributes to space and reduced wiring.



Easy Setup and Convenient Functions of the AZ Series.



Support Software MEXE02

The support software MEXE02 can be downloaded from the Oriental Motor website.

Easy Setting and Easy Operation

The support software MEXE02 can be used for basic settings such as editing operation data and setting parameters. In addition, the sequence function allows for advanced motions using simple inputs.

● Unit Setting Wizard

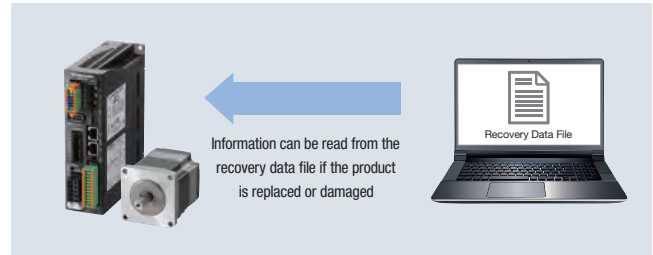
This is a function that allows the traveling amount, speed, etc. to be displayed and input in the designated units. Display and settings can be made in the units (mm, deg) that match the mechanism that is being used, eliminating the need for unit conversion and simplifying the input of operating data.



● Creation of Recovery Data Files

A file that contains the product's settings at time of shipping is created initially for use when the product is replaced for maintenance or during a breakdown.

Make sure that a recovery file is created when using linear & rotary actuators.



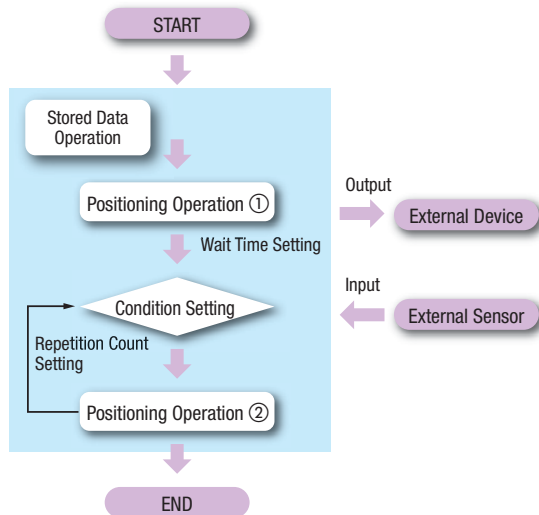
● Simplified Main Program Thanks to the Sequence Function

For the AZ Series, stored data operation includes a wide variety of sequence functions such as linked operation, timer settings between operations, conditional branching and loop counts.

Sequence programming of the host system can be simplified.

Built-in Controller Type

- Number of Positioning Operation Data Sets (Up to 256)
- General-Purpose I/O Signal Counts (Input 10, output 6)
- Communication I/O Signal Counts (Input 16, output 16)

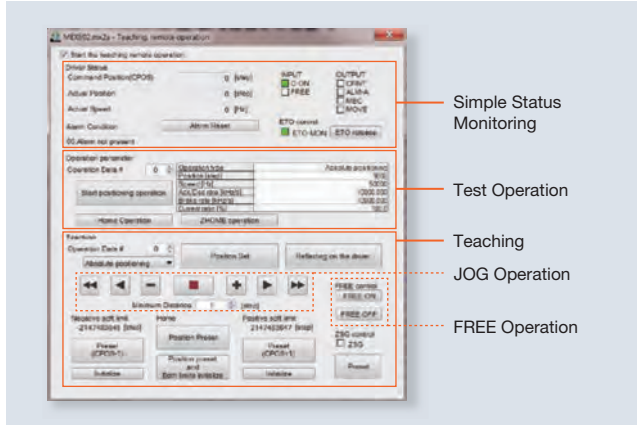


Test Function

This function enables stand-alone operation of a motor or checking the connection to the host system. Using this function at equipment startup can lead to shortening the time needed.

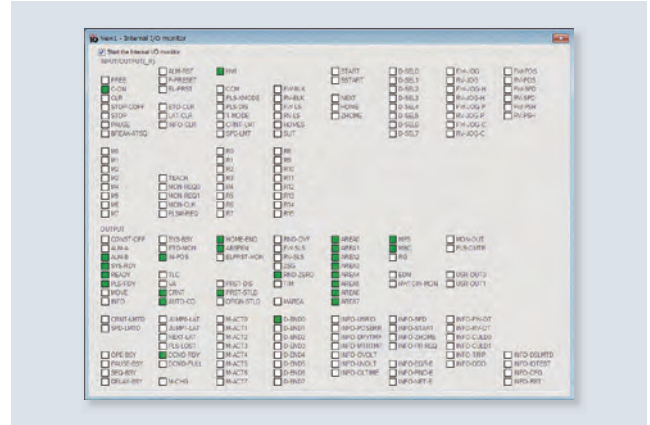
● Teaching and Remote Operation On startup

Data setting software can be used to easily perform the home setting and also drive the motor. Teaching and test operation can be performed before connecting to the host system, which contributes to reduce startup time of the equipment.



● I/O Tests On startup For operation

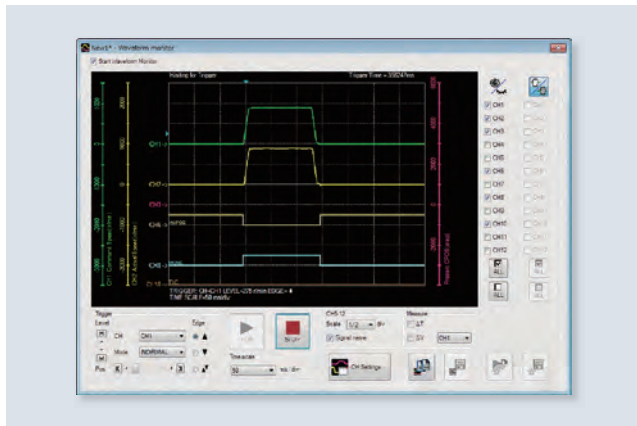
Input monitors can be monitored and output signals can be deliberately output. This function is useful when checking the wiring to the host system and for remote I/O operation.



Various Monitoring Functions

● Waveform Monitoring On startup

The operating status of the motor and output signals used to can be monitored using an oscilloscope-like image. This can be used for equipment start-up and adjustment.



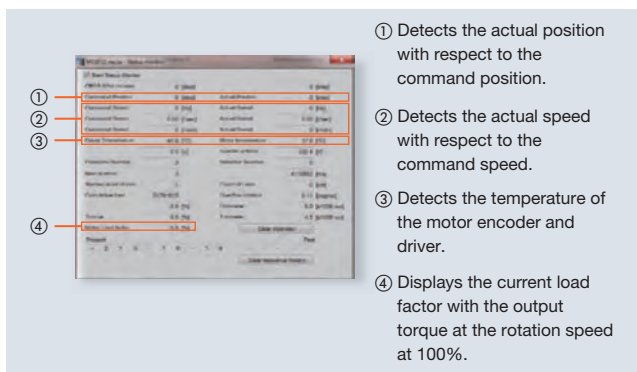
● Alarm Monitoring On startup

When an abnormality occurs, the details of the abnormality, the operating status at the time of the occurrence, and the solution can be checked.



● Status Monitor On startup

In addition to being able to monitor the speed, motor, driver temperature, and load factor during operations, the integrating rotation amount, etc. can be monitored from the start of use. The signal for each item can be output at your discretion, which leads to effective maintenance.



● Multi-Monitoring Compatible


Multiple setting screens such as data setting, test operation and monitoring can be opened and used simultaneously on separate screens. This makes equipment startup and adjustment easier to carry out.



Product Line of AZ Series

AC : Single-Phase 100-120 VAC, Single-Phase/Three-Phase 200-240 VAC Input
 DC : 24/48 VDC Input

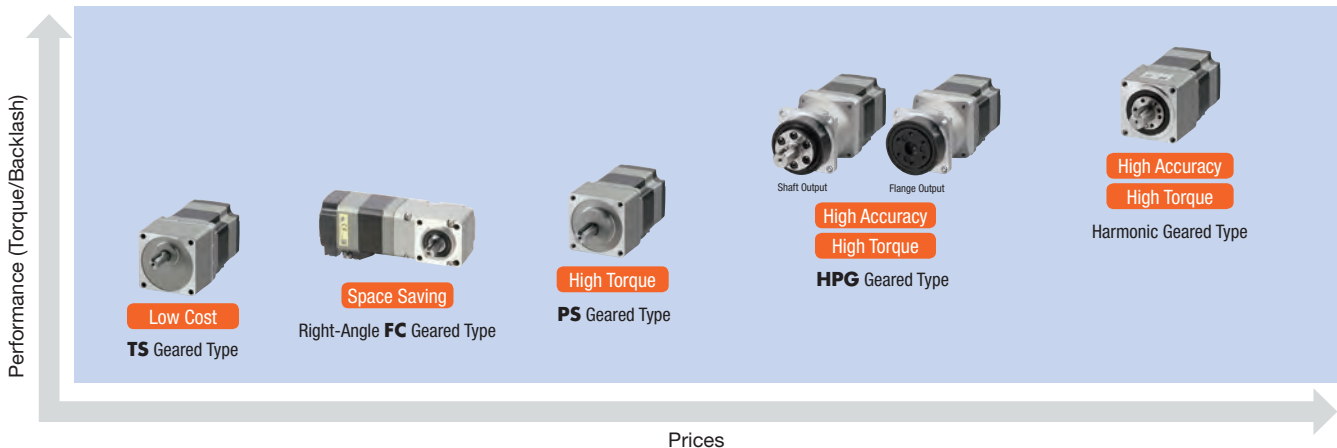
Motor

Type	Electromagnetic Brake	Frame Size				
		20 mm	28 mm*6	42 mm*2	60 mm	85 mm 90 mm*4
Standard  Motor Shaft Type Round with a Flat/Straight/Keyed Motor Cable Shape Horizontal Cable Outlet	Not equipped	DC*1	DC*1	AC DC	AC DC	AC
	Equipped	—	—	AC DC*3	AC DC*3	AC*5
TS Geared (Spur gear mechanism)  Cable Outlet Direction Can be Selected Bottom/Top/Right/Left Low Gear Ratio, High Speed Operation Gear Ratio: 3.6, 7.2, 10, 20, 30	Not equipped	—	—	AC DC	AC DC	AC
	Equipped	—	—	AC DC	AC DC	AC
Right-Angle FC Geared (Face gear mechanism)  Right-Angle Gear for Positioning Gear Ratio: 7.2, 10, 20, 30	Not equipped	—	—	AC DC	AC DC	—
	Equipped	—	—	AC DC	AC DC	—
PS Geared (Planetary gear mechanism)  Gear Ratios for Selecting the Desired Step Angle Gear Ratio: 5, 7.2, 10, 25, 36, 50	Not equipped	—	DC*1	AC DC	AC DC	AC
	Equipped	—	—	AC DC	AC DC	AC
HPG Geared (Harmonic Planetary®)  Shaft Output Flange Output High Positioning Accuracy Gear Ratio: 5, 9, 15	Not equipped	—	—	AC DC	AC DC	AC
	Equipped	—	—	AC DC	AC DC	AC
Harmonic Geared Type (Harmonic drive)  High Positioning Accuracy Gear Ratio: 50, 100	Not equipped	—	DC*1	AC DC	AC DC	AC
	Equipped	—	—	AC DC	AC DC	AC

*1 24 VDC only *2 HPG Geared Type is 40 mm *3 AZM46 only *4 Geared Type only *5 AZM98 only *6 Harmonic Geared Type is 30 mm

Note Please use the above values as reference to see the differences between each type. These values vary depending on the motor frame size and gear ratio.

Geared motors, which have been pre-assembled with gears, are offered as variants of the AZ Series. Based on torque, accuracy (backlash) and price, the optimal type can be selected from the various geared motors.








Permissible Torque and Max. Instantaneous Torque [Nm]	Backlash [arcmin]	Basic Resolution	Output Shaft Speed [r/min]
Max. Holding Torque 4	—	0.36	6000
Permissible Torque / Maximum Instantaneous Torque 25 / 45	10	0.012	833
Permissible Torque 10.5	10	0.012	416
Permissible Torque / Maximum Instantaneous Torque 37 / 60	7	0.0072	600
Permissible Torque / Maximum Instantaneous Torque 24 / 33	3	0.024	900
Permissible Torque / Maximum Instantaneous Torque 52 / 107	0	0.0036	70


Driver

Type

Network Compatible

AC DC

Built-in Controller 




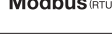
Modbus^(RTU)

AC DC

Pulse Input Type with RS-485 Communication
Pulse Input




AC DC

mini Driver

DC

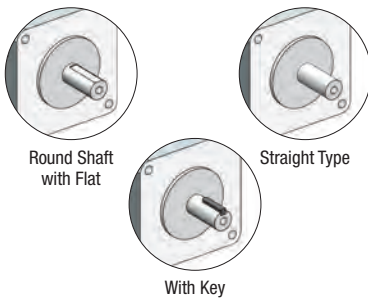
Network Compatible Multi-Axis Driver

DC

● Standard Type Selection of Motor Shaft Shape

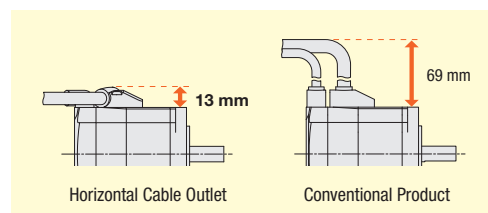
- *Frame sizes 20 mm and 28 mm are only available with round shaft with a flat
- *For frame size 42 mm, only the **AZM48** has a keyed shaft



● Standard Type Horizontal Cable Outlet

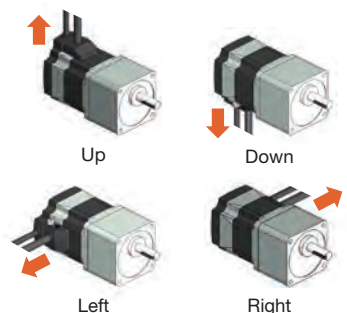
Recommended when installing a motor in tight spaces or when motor cables may interfere with the equipment.

*DC input Frame sizes 42 mm and 60 mm only



● TS Geared Type Selection of Cable Outlet Direction

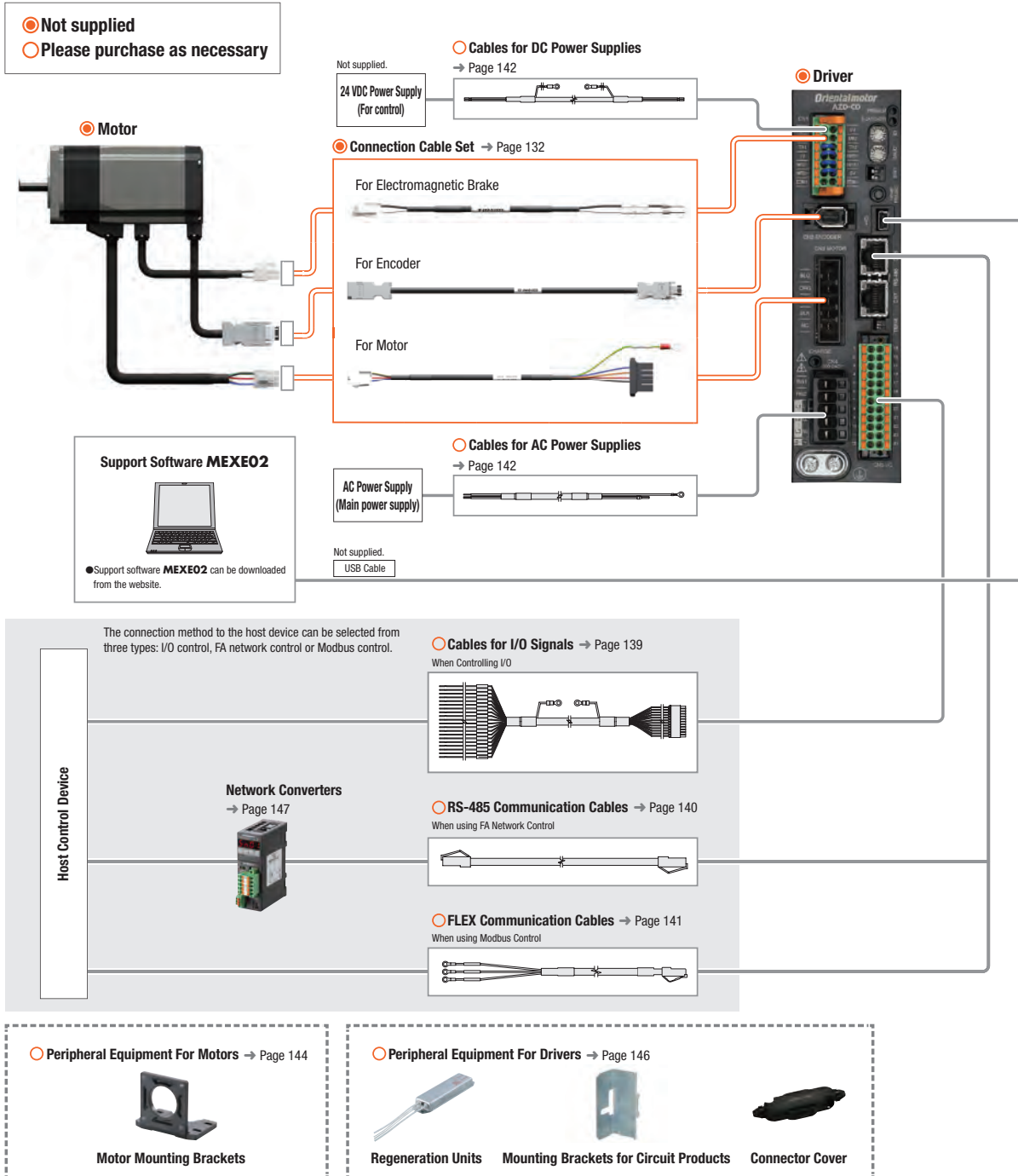
Four directions can be selected for the output shaft.



System Configuration

Combination of Standard Type Motor with Electromagnetic Brake and Built-in Controller Type or Pulse Input Type Driver with RS-485 Communication

An example of a configuration using RS-485 communication or I/O control with a built-in controller type driver is shown below. Motors, drivers, and connection cable sets/flexible connection cable sets need to be ordered individually.



Example of System Configuration

Motor	+	Driver	+	Cables		+	Peripheral Equipment
AZM66MC		AZD-CD		Connection Cable Set (1 m)	Cables for I/O Signals Connector Type (1 m)		Mounting Brackets for Circuit Products
				CC010VZFB	CC16D010B-1		MADP06

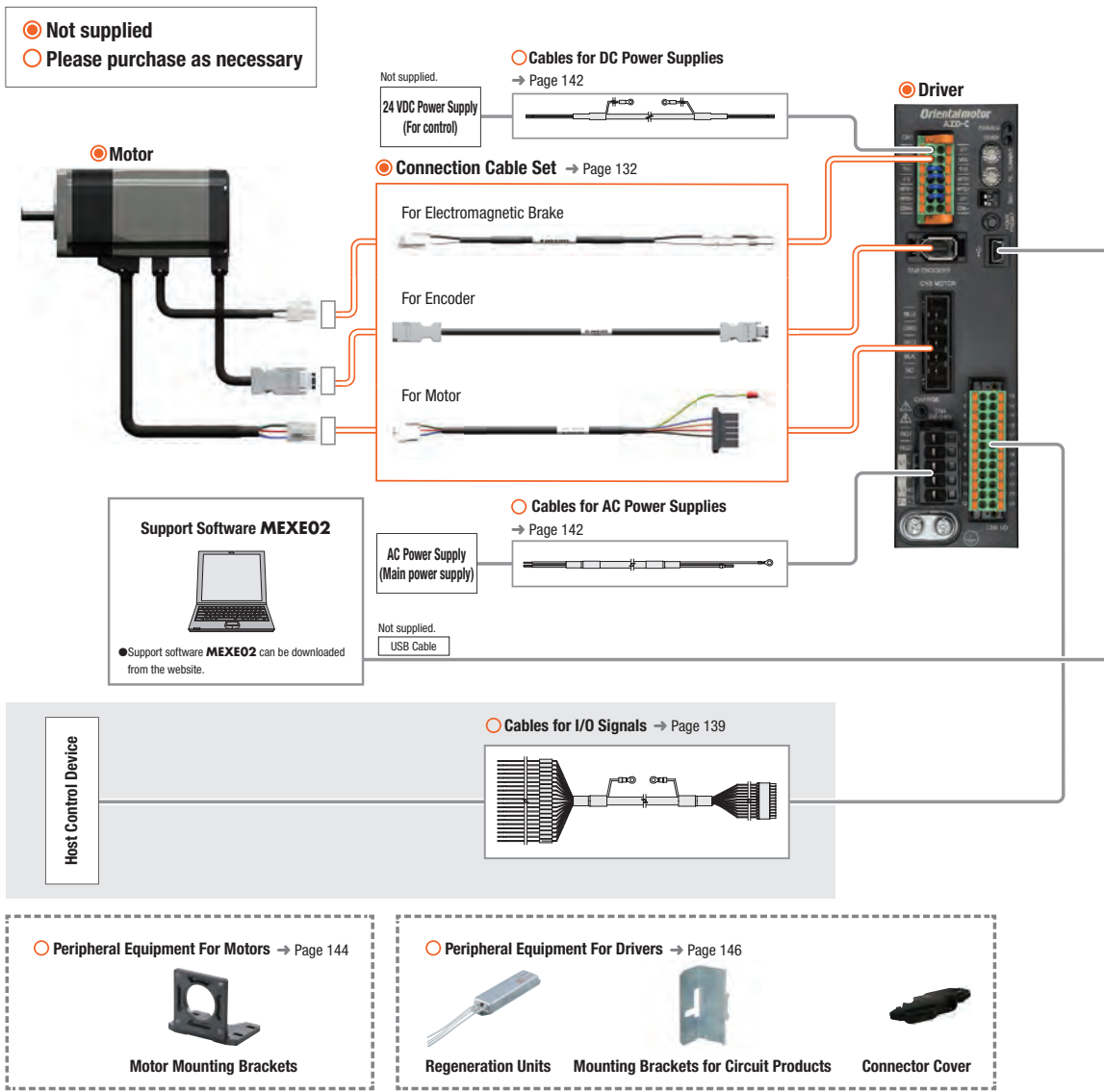
The system configuration shown above is an example. Other combinations are also available.

Note

The motor cable and electromagnetic brake cable from the motor cannot be connected directly to the driver. When connecting to a driver, use a connection cable.

● **Combination of Standard Type Motor with Electromagnetic Brake and Pulse Input Type Driver**

An example of a single-axis system configuration with a programmable controller (equipped with pulse oscillation function) is shown below. Motors, drivers, and connection cable sets/flexible connection cable sets need to be ordered individually.



● **Example of System Configuration**

Motor	+	Driver	+	Cables		+	Peripheral Equipment
AZM66MC		AZD-C		Connection Cable Set (1 m)	Cable Connector Type for I/O Signals (1 m)		Mounting Brackets for Circuit Products
○		○		CC010VZFB	CC16D010B-1		MADP06
				○	○		○

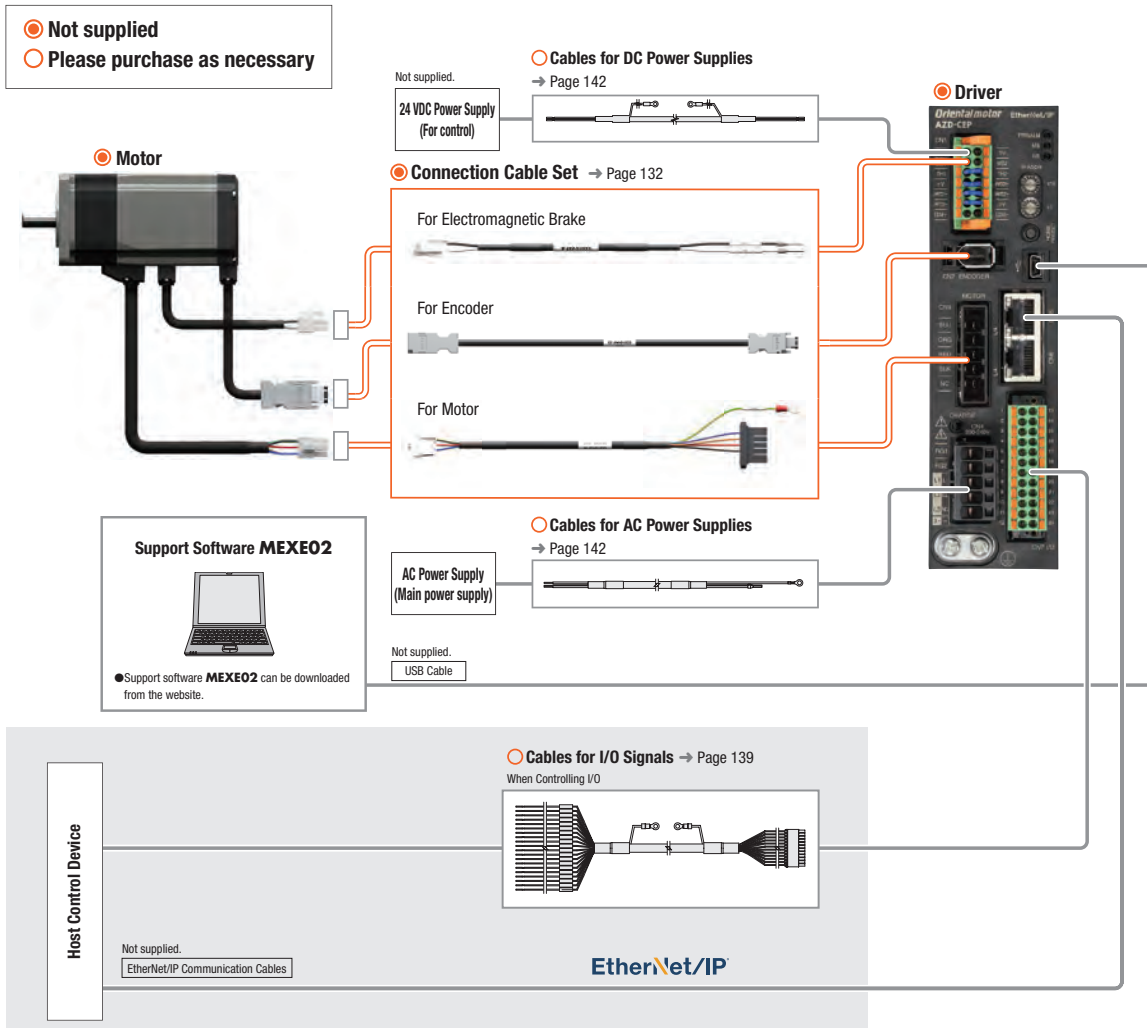
● The system configuration shown above is an example. Other combinations are also available.

Note

● The motor cable and electromagnetic brake cable from the motor cannot be connected directly to the driver. When connecting to a driver, use a connection cable.

● **Combination of Standard Type Motor with Electromagnetic Brake and Network Compatible Driver**

An example of a configuration using I/O control or EtherNet/IP with an EtherNet/IP compatible driver is shown below. Motors, drivers, and connection cable sets/flexible connection cable sets need to be ordered individually.



● **Example of System Configuration**

Motor	+	Driver	+	Cables		+	Peripheral Equipment
AZM66MC		AZD-CEP		Connection Cable Set (1 m)	Cables for I/O Signals Connector Type (1 m)		Mounting Brackets for Circuit Products
○		○		CC010VZFB	CC16D010B-1		MADP06
○		○		○	○		○

● The system configuration shown above is an example. Other combinations are also available.

Note

● The motor cable and electromagnetic brake cable from the motor cannot be connected directly to the driver. When connecting to a driver, use a connection cable.

Product Number

Motor

Standard Type

AZM 6 6 A 0 C

① ② ③ ④ ⑤ ⑥

PS, HPG, Harmonic Geared Type

AZM 6 6 A C - HP 15 F

① ② ③ ④ ⑤ ⑥ ⑦ ⑧ ⑨

TS Geared Type

AZM 6 6 A C - TS 7.2 U

① ② ③ ④ ⑤ ⑥ ⑦ ⑧

FC Geared Type

AZM 6 6 A C - FC 7.2 U A

① ② ③ ④ ⑤ ⑥ ⑦ ⑧ ⑨

Driver

AZD - C D

① ② ③

Connection Cable Sets/Flexible Connection Cable Sets

CC 050 V Z F B

① ② ③ ④ ⑤ ⑥

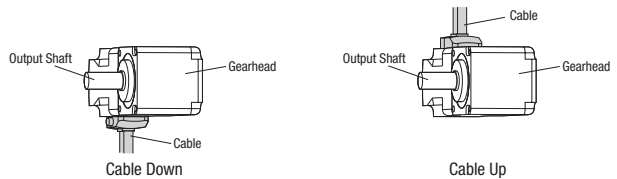
①	Motor Type	AZM: AZ Series Motor
②	Motor Frame Size	4: 42 mm (HPG geared type is 40 mm) 6: 60 mm 9: 85 mm (Geared type is 90 mm)
③	Motor Case Length	
④	Output Shaft Type	A: Single Shaft M: Type with Electromagnetic Brake
⑤	Additional Function*	0: Straight T: With Key
⑥	Motor Type	C: AC Input Specification
⑦	Geared Type	PS: PS Geared Type HP: HPG Geared Type HS: Harmonic Geared Type
⑧	Gear Ratio	
⑨	Output Shaft Type	HPG Geared Type Blank: Shaft Output F: Flange Output

*Standard type products without an additional function number have a round shaft with a single flat specification.

①	Motor Type	AZM: AZ Series Motor
②	Motor Frame Size	4: 42 mm 6: 60 mm 9: 90 mm
③	Motor Case Length	
④	Output Shaft Type	A: Single Shaft M: Type with Electromagnetic Brake
⑤	Motor Type	C: AC Input Specification
⑥	Geared Type	TS: TS Geared Type
⑦	Gear Ratio	
⑧	Cable Outlet Direction	U: Up L: Left R: Right

①	Motor Type	AZM: AZ Series Motor
②	Motor Frame Size	4: 42 mm 6: 60 mm
③	Motor Case Length	
④	Output Shaft Type	A: Single Shaft M: Type with Electromagnetic Brake
⑤	Motor Type	C: AC Input Specification
⑥	Geared Type	FC: FC Geared Type
⑦	Gear Ratio	
⑧	Cable Outlet Direction*	D: Down U: Up
⑨	Identification	A: Solid Shaft

*The cable direction is as viewed from the gearhead with the output shaft facing left.



①	Driver Type	AZD: AZ Series Driver
②	Power Supply Input	A: Single-Phase 100-120 VAC C: Single-Phase/ Three-Phase 200-240 VAC
③	Product Line	D: Built-in Controller Type X: Pulse Input Type with RS-485 Communication Blank: Pulse Input Type EP: EtherNet/IP compatible ED: EtherCAT Drive Profile compatible PN: PROFINET compatible

①		CC: Cable
②	Length	005: 0.5 m 010: 1 m 015: 1.5 m 020: 2 m 025: 2.5 m 030: 3 m 040: 4 m 050: 5 m 070: 7 m 100: 10 m 150: 15 m 200: 20 m
③	Reference Number	
④	Applicable Model	Z: For AZ Series
⑤	Cable Type	F: Connection Cable Sets R: Flexible Connection Cable Sets
⑥	Description	Blank: Without Electromagnetic Brake B: With Electromagnetic Brake

Product Line

Motors, drivers, and connection cables must be ordered individually.



Motor

Standard Type

Frame Size	Product Name
42 mm	AZM46AC
	AZM46A0C
	AZM48AC
	AZM48A0C
	AZM48A1C
60 mm	AZM66AC
	AZM66A0C
	AZM66A1C
	AZM69AC
	AZM69A0C
85 mm	AZM98AC
	AZM98A0C
	AZM98A1C
	AZM911AC
	AZM911A0C
	AZM911A1C



Standard Type with Electromagnetic Brake

Frame Size	Product Name
42 mm	AZM46MC
	AZM46M0C
60 mm	AZM66MC
	AZM66M0C
	AZM66M1C
	AZM69MC
	AZM69M0C
85 mm	AZM98MC
	AZM98M0C
	AZM98M1C



TS Geared Type

Frame Size	Product Name
42 mm	AZM46AC-TS3.6
	AZM46AC-TS3.6R
	AZM46AC-TS3.6U
	AZM46AC-TS3.6L
	AZM46AC-TS7.2
	AZM46AC-TS7.2R
	AZM46AC-TS7.2U
	AZM46AC-TS7.2L
	AZM46AC-TS10
	AZM46AC-TS10R
	AZM46AC-TS10U
	AZM46AC-TS10L
	AZM46AC-TS20
	AZM46AC-TS20R
	AZM46AC-TS20U
	AZM46AC-TS20L
	AZM46AC-TS30
	AZM46AC-TS30R
	AZM46AC-TS30U
	AZM46AC-TS30L
60 mm	AZM66AC-TS3.6
	AZM66AC-TS3.6R
	AZM66AC-TS3.6U
	AZM66AC-TS3.6L
	AZM66AC-TS7.2
	AZM66AC-TS7.2R
	AZM66AC-TS7.2U
	AZM66AC-TS7.2L
	AZM66AC-TS10
	AZM66AC-TS10R
	AZM66AC-TS10U
	AZM66AC-TS10L
	AZM66AC-TS20
	AZM66AC-TS20R
	AZM66AC-TS20U
	AZM66AC-TS20L
	AZM66AC-TS30
	AZM66AC-TS30R
	AZM66AC-TS30U
	AZM66AC-TS30L



TS Geared Type with Electromagnetic Brake

Frame Size	Product Name
42 mm	AZM46MC-TS3.6
	AZM46MC-TS3.6R
	AZM46MC-TS3.6U
	AZM46MC-TS3.6L
	AZM46MC-TS7.2
	AZM46MC-TS7.2R
	AZM46MC-TS7.2U
	AZM46MC-TS7.2L
	AZM46MC-TS10
	AZM46MC-TS10R
	AZM46MC-TS10U
	AZM46MC-TS10L
	AZM46MC-TS20
	AZM46MC-TS20R
	AZM46MC-TS20U
	AZM46MC-TS20L
	AZM46MC-TS30
	AZM46MC-TS30R
	AZM46MC-TS30U
	AZM46MC-TS30L
60 mm	AZM66MC-TS3.6
	AZM66MC-TS3.6R
	AZM66MC-TS3.6U
	AZM66MC-TS3.6L
	AZM66MC-TS7.2
	AZM66MC-TS7.2R
	AZM66MC-TS7.2U
	AZM66MC-TS7.2L
	AZM66MC-TS10
	AZM66MC-TS10R
	AZM66MC-TS10U
	AZM66MC-TS10L
	AZM66MC-TS20
	AZM66MC-TS20R
	AZM66MC-TS20U
	AZM66MC-TS20L
	AZM66MC-TS30
	AZM66MC-TS30R
	AZM66MC-TS30U
	AZM66MC-TS30L



◇ **TS Geared Type**

Frame Size	Product Name
90 mm	AZM98AC-TS3.6
	AZM98AC-TS3.6R
	AZM98AC-TS3.6U
	AZM98AC-TS3.6L
	AZM98AC-TS7.2
	AZM98AC-TS7.2R
	AZM98AC-TS7.2U
	AZM98AC-TS7.2L
	AZM98AC-TS10
	AZM98AC-TS10R
	AZM98AC-TS10U
	AZM98AC-TS10L
	AZM98AC-TS20
	AZM98AC-TS20R
	AZM98AC-TS20U
	AZM98AC-TS20L
	AZM98AC-TS30
	AZM98AC-TS30R
	AZM98AC-TS30U
	AZM98AC-TS30L



◇ **TS Geared Type with Electromagnetic Brake**

Frame Size	Product Name
90 mm	AZM98MC-TS3.6
	AZM98MC-TS3.6R
	AZM98MC-TS3.6U
	AZM98MC-TS3.6L
	AZM98MC-TS7.2
	AZM98MC-TS7.2R
	AZM98MC-TS7.2U
	AZM98MC-TS7.2L
	AZM98MC-TS10
	AZM98MC-TS10R
	AZM98MC-TS10U
	AZM98MC-TS10L
	AZM98MC-TS20
	AZM98MC-TS20R
	AZM98MC-TS20U
	AZM98MC-TS20L
	AZM98MC-TS30
	AZM98MC-TS30R
	AZM98MC-TS30U
	AZM98MC-TS30L



◇ **FC Geared Type**

Frame Size	Product Name
42 mm	AZM46AC-FC7.2UA
	AZM46AC-FC7.2DA
	AZM46AC-FC10UA
	AZM46AC-FC10DA
	AZM46AC-FC20UA
	AZM46AC-FC20DA
	AZM46AC-FC30UA
	AZM46AC-FC30DA
60 mm	AZM66AC-FC7.2UA
	AZM66AC-FC7.2DA
	AZM66AC-FC10UA
	AZM66AC-FC10DA
	AZM66AC-FC20UA
	AZM66AC-FC20DA
	AZM66AC-FC30UA
	AZM66AC-FC30DA



◇ **FC Geared Type with Electromagnetic Brake**

Frame Size	Product Name
42 mm	AZM46MC-FC7.2UA
	AZM46MC-FC7.2DA
	AZM46MC-FC10UA
	AZM46MC-FC10DA
	AZM46MC-FC20UA
	AZM46MC-FC20DA
	AZM46MC-FC30UA
	AZM46MC-FC30DA
60 mm	AZM66MC-FC7.2UA
	AZM66MC-FC7.2DA
	AZM66MC-FC10UA
	AZM66MC-FC10DA
	AZM66MC-FC20UA
	AZM66MC-FC20DA
	AZM66MC-FC30UA
	AZM66MC-FC30DA



◇ **PS Geared Type**

Frame Size	Product Name
42 mm	AZM46AC-PS5
	AZM46AC-PS7.2
	AZM46AC-PS10
	AZM46AC-PS25
	AZM46AC-PS36
60 mm	AZM66AC-PS5
	AZM66AC-PS7.2
	AZM66AC-PS10
	AZM66AC-PS25
	AZM66AC-PS36
90 mm	AZM98AC-PS5
	AZM98AC-PS7.2
	AZM98AC-PS10
	AZM98AC-PS25
	AZM98AC-PS36
AZM98AC-PS50	



◇ **PS Geared Type with Electromagnetic Brake**

Frame Size	Product Name
42 mm	AZM46MC-PS5
	AZM46MC-PS7.2
	AZM46MC-PS10
	AZM46MC-PS25
	AZM46MC-PS36
60 mm	AZM66MC-PS5
	AZM66MC-PS7.2
	AZM66MC-PS10
	AZM66MC-PS25
	AZM66MC-PS36
90 mm	AZM98MC-PS5
	AZM98MC-PS7.2
	AZM98MC-PS10
	AZM98MC-PS25
	AZM98MC-PS36
AZM98MC-PS50	



◇ **HPG Geared Type**

Frame Size	Product Name
40 mm	AZM46AC-HP5 AZM46AC-HP5F AZM46AC-HP9 AZM46AC-HP9F
60 mm	AZM66AC-HP5 AZM66AC-HP5F AZM66AC-HP15 AZM66AC-HP15F
90 mm	AZM98AC-HP5 AZM98AC-HP5F AZM98AC-HP15 AZM98AC-HP15F



◇ **HPG Geared Type with Electromagnetic Brake**

Frame Size	Product Name
40 mm	AZM46MC-HP5 AZM46MC-HP5F AZM46MC-HP9 AZM46MC-HP9F
60 mm	AZM66MC-HP5 AZM66MC-HP5F AZM66MC-HP15 AZM66MC-HP15F
90 mm	AZM98MC-HP5 AZM98MC-HP5F AZM98MC-HP15 AZM98MC-HP15F



◇ **Harmonic Geared Type**

Frame Size	Product Name
42 mm	AZM46AC-HS50 AZM46AC-HS100
60 mm	AZM66AC-HS50 AZM66AC-HS100
90 mm	AZM98AC-HS50 AZM98AC-HS100



◇ **Harmonic Geared Type with Electromagnetic Brake**

Frame Size	Product Name
42 mm	AZM46MC-HS50 AZM46MC-HS100
60 mm	AZM66MC-HS50 AZM66MC-HS100
90 mm	AZM98MC-HS50 AZM98MC-HS100

● **Driver**

◇ **Built-in Controller Type**

Power Supply Input	Product Name
Single-Phase 100-120 VAC	AZD-AD
Single-Phase/Three-Phase 200-240 VAC	AZD-CD



◇ **Pulse Input Type with RS-485 Communication**

Power Supply Input	Product Name
Single-Phase 100-120 VAC	AZD-AX
Single-Phase/Three-Phase 200-240 VAC	AZD-CX



◇ **Pulse Input Type**

Power Supply Input	Product Name
Single-Phase 100-120 VAC	AZD-A
Single-Phase/Three-Phase 200-240 VAC	AZD-C



◇ **EtherNet/IP compatible**

Power Supply Input	Product Name
Single-Phase 100-120 VAC	AZD-AEP
Single-Phase/Three-Phase 200-240 VAC	AZD-CEP



◇ **EtherCAT Drive Profile compatible**

Power Supply Input	Product Name
Single-Phase 100-120 VAC	AZD-AED
Single-Phase/Three-Phase 200-240 VAC	AZD-CED



◇ **PROFINET compatible**

Power Supply Input	Product Name
Single-Phase 100-120 VAC	AZD-APN
Single-Phase/Three-Phase 200-240 VAC	AZD-CPN



● **Connection Cable Sets/Flexible Connection Cable Sets**

Use the flexible connection cable set in applications where the cable is bent and flexed. Extension cables and flexible extension cables are also available. Refer to page 132.

Included Items

Motor

Type	Included Items	Parallel Key	Motor Installation Screw
Standard Type	Round Shaft with Flat	—	—
	Straight Type	—	—
	With Key	1 Piece	—
TS Geared Type	Frame Size 42 mm	—	—
	Frame Size 60 mm	1 Piece	M4×60 P0.7 (4 screws)
	Frame Size 90 mm	1 Piece	M8×90 P1.25 (4 screws)
FC Geared Type		1 Piece	—
PS Geared Type		1 Piece	—
HPG Geared Type	Shaft Output	1 Piece	—
	Flange Output	—	—
Harmonic Geared Type		1 Piece	—

Driver

Type	Included Items	Connector
Built-in Controller Type RS-485 Communication	Pulse Input Type	· For CN1 (1 piece)
	Pulse Input Type	· For CN4 (1 piece)
	Pulse Input Type	· For CN5 (1 piece)
	Pulse Input Type	· Connector Wiring Lever (1 piece)
EtherCAT Drive Profile compatible EtherNet/IP compatible PROFINET compatible		· For CN1 (1 piece)
		· For CN4 (1 piece)
		· For CN7 (1 piece)
		· Connector Wiring Lever (1 piece)

List of Combinations

Product Line	Type	Product Name
Motor	Standard Type	AZM46 <input type="checkbox"/> C, AZM48A <input type="checkbox"/> C AZM66 <input type="checkbox"/> C, AZM69 <input type="checkbox"/> C AZM98 <input type="checkbox"/> C, AZM911A <input type="checkbox"/> C
	TS Geared Type	AZM46 <input type="checkbox"/> C-TS <input type="checkbox"/> <input type="checkbox"/> AZM66 <input type="checkbox"/> C-TS <input type="checkbox"/> <input type="checkbox"/> AZM98 <input type="checkbox"/> C-TS <input type="checkbox"/> <input type="checkbox"/>
	FC Geared Type	AZM46 <input type="checkbox"/> C-FC <input type="checkbox"/> <input type="checkbox"/> A AZM66 <input type="checkbox"/> C-FC <input type="checkbox"/> <input type="checkbox"/> A
	PS Geared Type	AZM46 <input type="checkbox"/> C-PS <input type="checkbox"/> AZM66 <input type="checkbox"/> C-PS <input type="checkbox"/> AZM98 <input type="checkbox"/> C-PS <input type="checkbox"/>
	HPG Geared Type	AZM46 <input type="checkbox"/> C-HP <input type="checkbox"/> <input type="checkbox"/> AZM66 <input type="checkbox"/> C-HP <input type="checkbox"/> <input type="checkbox"/> AZM98 <input type="checkbox"/> C-HP <input type="checkbox"/> <input type="checkbox"/>
	Harmonic Geared Type	AZM46 <input type="checkbox"/> C-HS <input type="checkbox"/> AZM66 <input type="checkbox"/> C-HS <input type="checkbox"/> AZM98 <input type="checkbox"/> C-HS <input type="checkbox"/>
+		
Driver	Built-in Controller Type	AZD-AD, AZD-CD
	Pulse Input Type with RS-485 Communication	AZD-AX, AZD-CX
	Pulse Input Type	AZD-A, AZD-C
	EtherNet/IP compatible	AZD-AEP, AZD-CEP
	EtherCAT Drive Profile compatible	AZD-AED, AZD-CED
	PROFINET compatible	AZD-APN, AZD-CPN
+		
Connection Cable Sets/ Flexible Connection Cable Sets	Connection Cable Set	For Motor/Encoder: CC <input type="checkbox"/> <input type="checkbox"/> <input type="checkbox"/> <input type="checkbox"/> VZF For Motor/Encoder/Electromagnetic Brake: CC <input type="checkbox"/> <input type="checkbox"/> <input type="checkbox"/> <input type="checkbox"/> VZFB
	Flexible Connection Cable Sets	For Motor/Encoder: CC <input type="checkbox"/> <input type="checkbox"/> <input type="checkbox"/> <input type="checkbox"/> VZR For Motor/Encoder/Electromagnetic Brake: CC <input type="checkbox"/> <input type="checkbox"/> <input type="checkbox"/> <input type="checkbox"/> VZRB

● A letter or number indicating the following types is specified where the symbol is located in the product name.

- : Output Shaft Configuration
- : Additional Function
- : Gear Ratio
- : Cable Outlet Direction
- : Output Shaft Type
- : Cable Length

System Configuration

Product Line

Specifications and Characteristics

AC Input

Dimensions

Connection and Operation

System Configuration

Product Line

Specifications and Characteristics

DC Input

Dimensions

Connection and Operation

Cables/Peripheral Equipment

Estimated Output of α STEP AZ Series

For the servo motor's output (W), the output (W) when rotating at rated speed is shown in rated output power.

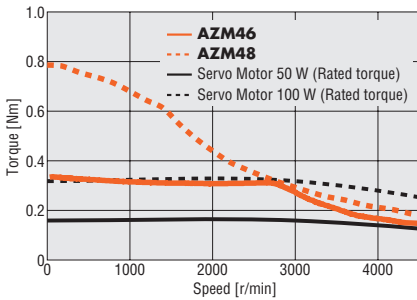
For high positioning accuracy, the mid- to low-speed, high-torque α STEP AZ Series has no rated speed, so no rated output power is displayed.

The rated torque values of servo motors of various wattages that the torque of an AZ Series standard type motor is equivalent to are shown in the table below as reference.

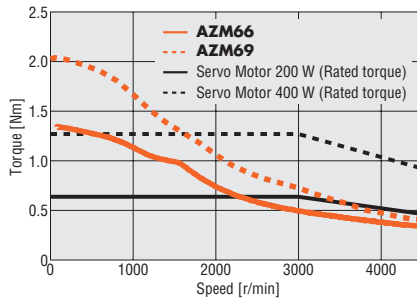
AZ Series (Standard type)		Servo Motor of Equivalent Rated Torque (Reference)
Frame Size	Product Name	
42 mm	AZM46	50-100 W Rated Torque Equivalent
	AZM48	
60 mm	AZM66	100-200 W Rated Torque Equivalent
	AZM69	200-400 W Rated Torque Equivalent
85 mm	AZM98	400-750 W Rated Torque Equivalent
	AZM911	

*The examples show the total amount for a motor, driver, and 1 m connection cable.

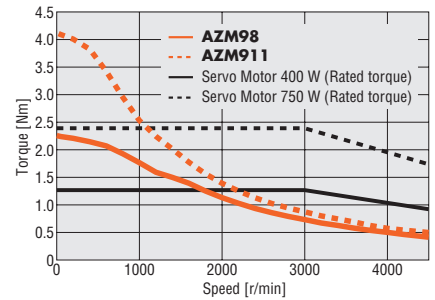
● Frame Size 42 mm



● Frame Size 60 mm



● Frame Size 85 mm



● Data for the speed – torque characteristics is based on Oriental Motor's internal measurement conditions. If the conditions are changed, the characteristics may also change as a result.

Standard Type Frame Size 42 mm, 60 mm, 85 mm

Specifications

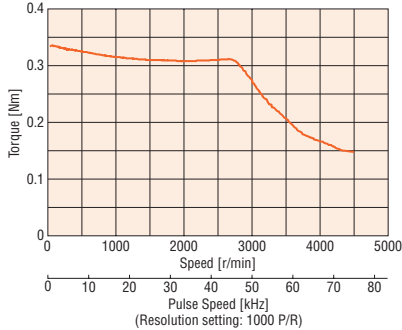


Motor Product Name	Single Shaft	AZM46A□C	AZM48A□C	AZM66A□C	AZM69A□C	AZM98A□C	AZM911A□C
	With Electromagnetic Brake	AZM46M□C	–	AZM66M□C	AZM69M□C	AZM98M□C	–
Driver Product Name		AZD-A□, AZD-C□					
Max. Holding Torque	Nm	0.3	0.77	1.2	2	2	4
Max. Holding Torque at Motor Standstill	Power ON	Nm	0.15	0.38	0.6	1	1
	Electromagnetic Brake	Nm	0.15	–	0.6	1	–
Rotor Inertia	J: kgm ²	55×10^{-7} (71×10^{-7})*1	115×10^{-7}	370×10^{-7} (530×10^{-7})*1	740×10^{-7} (900×10^{-7})*1	1090×10^{-7} (1250×10^{-7})*1	2200×10^{-7}
Resolution	Resolution setting: 1000 P/R	0.36°/Pulse					
Power Supply Input							
Control Power Supply		Check "Driver Specifications" on page 34 for the driver current when combined with a motor.					

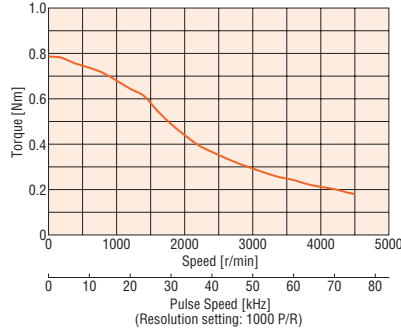
- Either **0** (Straight) or **1** (With key) indicating the additional function is specified where the box □ is located in the product name. (AZM46 is straight only)
For round shaft with single flat, there is no character in the box □.
- A letter indicating the driver type is specified where the box ■ is located in the product name. Check "List of Combinations" on page 21 for driver product names.
- *1 The value inside the () represents the value when connecting an electromagnetic brake motor.

Speed – Torque Characteristics (Reference values)

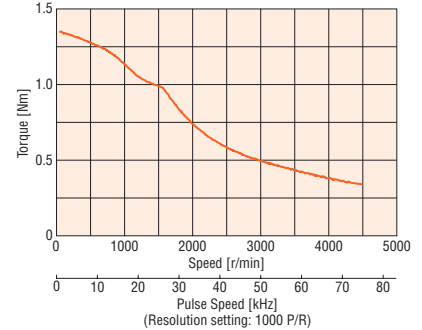
AZM46



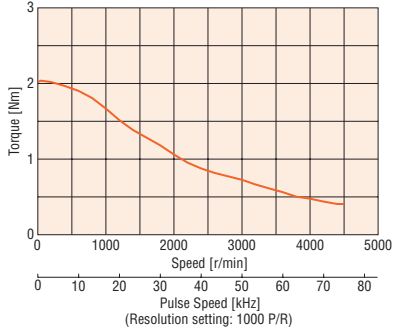
AZM48



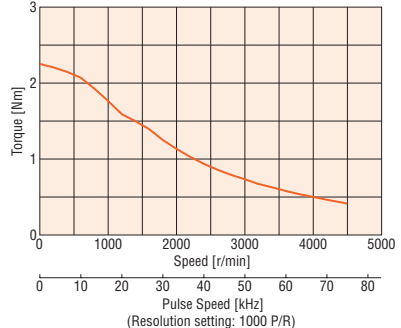
AZM66



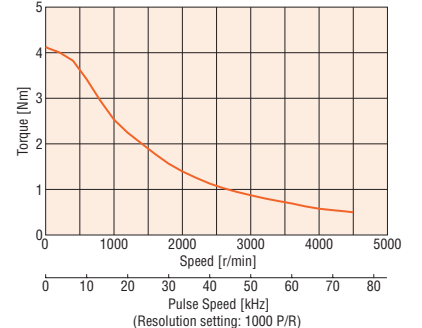
AZM69



AZM98



AZM911



Note

- Data for the speed – torque characteristics is based on Oriental Motor's internal measurement conditions. If the conditions are changed, the characteristics may also change as a result.
- Depending on the driving conditions, a considerable amount of heat may be generated by the motor. To protect the absolute sensor, be sure to keep the temperature of the motor case at 80°C or less. (When conforming to the UL or CSA Standards, the temperature of the motor case must be kept at 75°C or less since the motor is recognized as heat-resistant class A.)
- For SSCNETIII/H compatible drivers, the resolution is fixed at 10,000 P/R.

Explanation of Terminology in Specifications Table

Max. holding torque	: This is the max. holding torque (holding force) the motor has when power is supplied (at rated current) but the motor is not rotating. (With geared types, the value of holding torque considers the permissible strength of the gear.)
Permissible torque	: This is the max. value of the torque continuously applied to the output gear shaft.
Max. instantaneous torque	: This is the max. torque that can be applied to the output gear shaft during acceleration/deceleration such when an inertial load is started and stopped.
Holding torque at motor standstill	While power is on : This is the holding torque when the automatic current cutback function is active. Electromagnetic brake : This is the static friction torque when the electromagnetic brake is activated at standstill. (Electromagnetic brake is power off activated type.)

System Configuration
Product Line
Specifications and Characteristics
AC Input
Dimensions
Connection and Operation
System Configuration
Product Line
Specifications and Characteristics
DC Input
Dimensions
Connection and Operation
Cables/Peripheral Equipment

TS Geared Type Frame Size 42 mm

Specifications



Motor Product Name	Single Shaft	AZM46AC-TS3.6 <input type="checkbox"/>	AZM46AC-TS7.2 <input type="checkbox"/>	AZM46AC-TS10 <input type="checkbox"/>	AZM46AC-TS20 <input type="checkbox"/>	AZM46AC-TS30 <input type="checkbox"/>	
	With Electromagnetic Brake	AZM46MC-TS3.6 <input type="checkbox"/>	AZM46MC-TS7.2 <input type="checkbox"/>	AZM46MC-TS10 <input type="checkbox"/>	AZM46MC-TS20 <input type="checkbox"/>	AZM46MC-TS30 <input type="checkbox"/>	
Driver Product Name		AZD-A <input type="checkbox"/> , AZD-C <input type="checkbox"/>					
Max. Holding Torque	Nm	0.65	1.2	1.7	2	2.3	
Rotor Inertia	J: kgm ²	55×10 ⁻⁷ (71×10 ⁻⁷)*1					
Gear Ratio		3.6	7.2	10	20	30	
Resolution	Resolution setting: 1000 P/R	0.1°/Pulse	0.05°/Pulse	0.036°/Pulse	0.018°/Pulse	0.012°/Pulse	
Permissible Torque	Nm	0.65	1.2	1.7	2	2.3	
Maximum Instantaneous Torque	Nm	0.85	1.6	2	3		
Holding Torque at	Power ON	Nm	0.54	1	1.5	1.9	2.2
Motor Standstill	Electromagnetic Brake	Nm	0.54	1	1.5	1.9	2.2
Permissible Speed Range	r/min	0~833	0~416	0~300	0~150	0~100	
Backlash	arcmin	45 (0.75°)	25 (0.42°)		15 (0.25°)		
Power Supply Input		Check " <input type="checkbox"/> Driver Specifications" on page 34 for the driver current when combined with a motor.					
Control Power Supply							

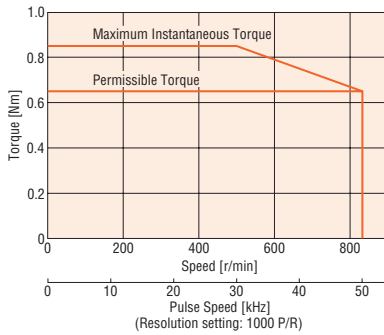
● Either **R** (Right), **U** (Up), or **L** (Left) indicating the cable outlet direction is specified where the box is located in the product name. For down, there is no character in the box .

A letter indicating the driver type is specified where the box is located in the product name. Check " List of Combinations" on page 21 for driver product names.

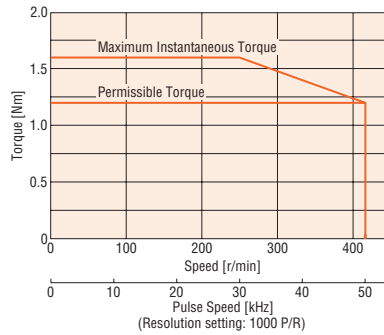
*1 The value inside the () represents the value when connecting an electromagnetic brake motor.

Speed – Torque Characteristics (Reference values)

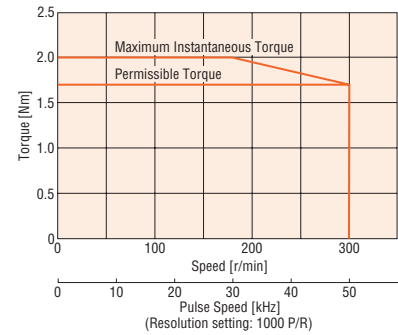
AZM46 Gear Ratio 3.6



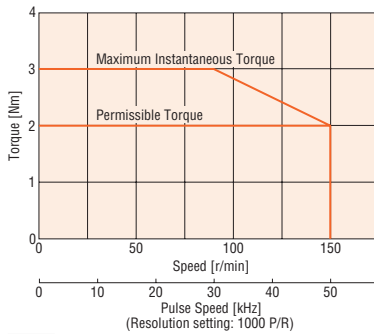
AZM46 Gear Ratio 7.2



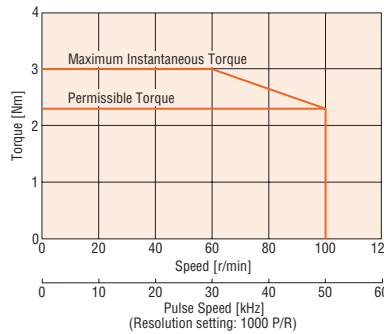
AZM46 Gear Ratio 10



AZM46 Gear Ratio 20



AZM46 Gear Ratio 30



Note

- Data for the speed – torque characteristics is based on Oriental Motor's internal measurement conditions. If the conditions are changed, the characteristics may also change as a result.
- Depending on the driving conditions, a considerable amount of heat may be generated by the motor. To protect the absolute sensor, be sure to keep the temperature of the motor case at 80°C or less. (When conforming to the UL or CSA Standards, the temperature of the motor case must be kept at 75°C or less since the motor is recognized as heat-resistant class A.)

TS Geared Type Frame Size 60 mm

Specifications



Motor Product Name	Single Shaft	AZM66AC-TS3.6	AZM66AC-TS7.2	AZM66AC-TS10	AZM66AC-TS20	AZM66AC-TS30	
Motor Product Name	With Electromagnetic Brake	AZM66MC-TS3.6	AZM66MC-TS7.2	AZM66MC-TS10	AZM66MC-TS20	AZM66MC-TS30	
Driver Product Name	AZD-A, AZD-C						
Max. Holding Torque	Nm	1.8	3	4	5	6	
Rotor Inertia	J: kgm ²	370×10 ⁻⁷ (530×10 ⁻⁷)*1					
Gear Ratio		3.6	7.2	10	20	30	
Resolution	Resolution setting: 1000 P/R	0.1°/Pulse	0.05°/Pulse	0.036°/Pulse	0.018°/Pulse	0.012°/Pulse	
Permissible Torque	Nm	1.8	3	4	5	6	
Max. Instantaneous Torque*	Nm	*	4.5	6	8	10	
Holding Torque at Motor Standstill	Power ON	Nm	1.3	2.6	3.7	5	6
	Electromagnetic Brake	Nm	1.3	2.6	3.7	5	6
Permissible Speed Range	r/min	0~833	0~416	0~300	0~150	0~100	
Backlash	arcmin	35 (0.59°)	15 (0.25°)		10 (0.17°)		
Power Supply Input	Check "Driver Specifications" on page 34 for the driver current when combined with a motor.						
Control Power Supply							

● Either **R** (Right), **U** (Up), or **L** (Left) indicating the cable outlet direction is specified where the box is located in the product name. For down, there is no character in the box .

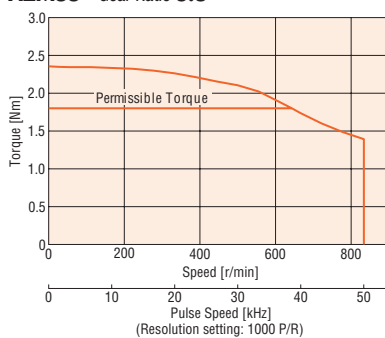
A letter indicating the driver type is specified where the box is located in the product name. Check "List of Combinations" on page 21 for driver product names.

* For the geared motor output torque, refer to the speed-torque characteristics.

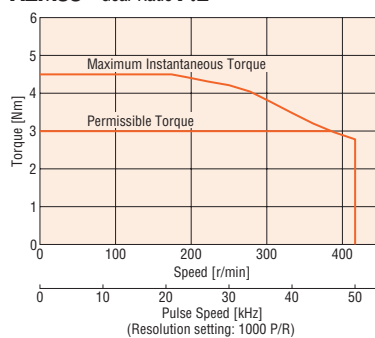
*1 The value inside the () represents the value when connecting an electromagnetic brake motor.

Speed – Torque Characteristics (Reference values)

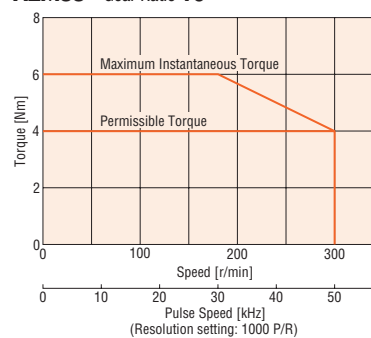
AZM66 Gear Ratio 3.6



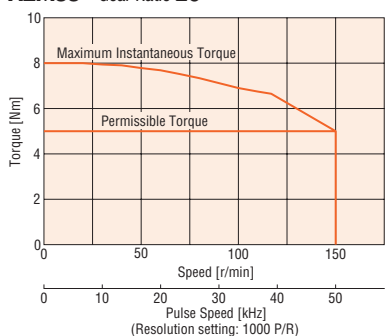
AZM66 Gear Ratio 7.2



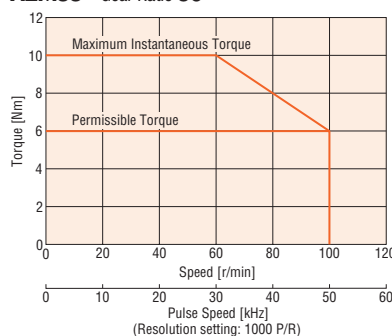
AZM66 Gear Ratio 10



AZM66 Gear Ratio 20



AZM66 Gear Ratio 30



Note

● Data for the speed – torque characteristics is based on Oriental Motor's internal measurement conditions. If the conditions are changed, the characteristics may also change as a result.

● Depending on the driving conditions, a considerable amount of heat may be generated by the motor. To protect the absolute sensor, be sure to keep the temperature of the motor case at 80°C or less. (When conforming to the UL or CSA Standards, the temperature of the motor case must be kept at 75°C or less since the motor is recognized as heat-resistant class A.)

System Configuration

Product Line

Specifications and Characteristics

Dimensions

Connection and Operation

System Configuration

Product Line

Specifications and Characteristics

Dimensions

Connection and Operation

Cables/Peripheral Equipment

TS Geared Type Frame Size 90 mm

Specifications



Motor Product Name	Single Shaft	AZM98AC-TS3.6	AZM98AC-TS7.2	AZM98AC-TS10	AZM98AC-TS20	AZM98AC-TS30
Motor Product Name	With Electromagnetic Brake	AZM98MC-TS3.6	AZM98MC-TS7.2	AZM98MC-TS10	AZM98MC-TS20	AZM98MC-TS30
Driver Product Name	AZD-A, AZD-C					
Max. Holding Torque	Nm	6	10	14	20	25
Rotor Inertia	J: kgm ²	1090×10 ⁻⁷ (1250×10 ⁻⁷)*1				
Gear Ratio		3.6	7.2	10	20	30
Resolution	Resolution setting: 1000 P/R	0.1°/Pulse	0.05°/Pulse	0.036°/Pulse	0.018°/Pulse	0.012°/Pulse
Permissible Torque	Nm	6	10	14	20	25
Max. Instantaneous Torque*	Nm	*	*	20	*	45
Holding Torque at Power ON	Nm	3.6	7.2	10	20	25
Holding Torque at Motor Standstill	Electromagnetic Brake Nm	3.6	7.2	10	20	25
Permissible Speed Range	r/min	0~833	0~416	0~300	0~150	0~100
Backlash	arcmin	25 (0.42°)		15 (0.25°)		10 (0.17°)
Power Supply Input	Check "Driver Specifications" on page 34 for the driver current when combined with a motor.					
Control Power Supply						

● Either **R** (Right), **U** (Up), or **L** (Left) indicating the cable outlet direction is specified where the box is located in the product name. For down, there is no character in the box .

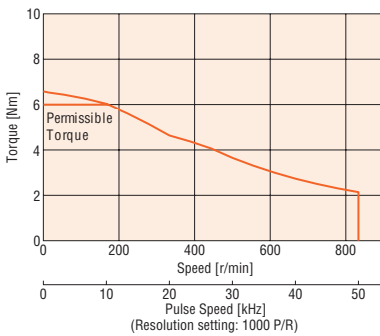
A letter indicating the driver type is specified where the box is located in the product name. Check "List of Combinations" on page 21 for driver product names.

* For the geared motor output torque, refer to the speed-torque characteristics.

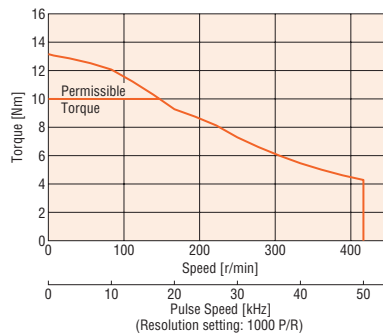
*1 The value inside the () represents the value when connecting an electromagnetic brake motor.

Speed – Torque Characteristics (Reference values)

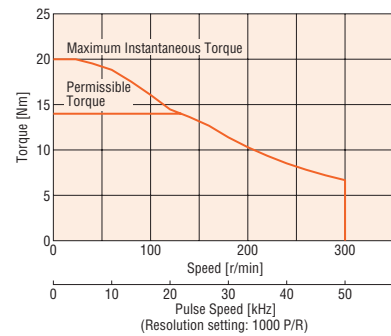
AZM98 Gear Ratio 3.6



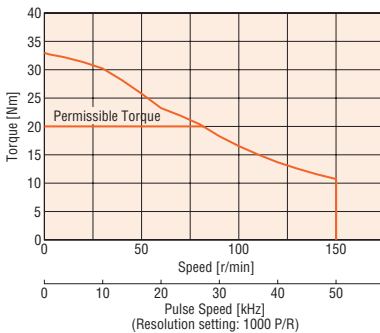
AZM98 Gear Ratio 7.2



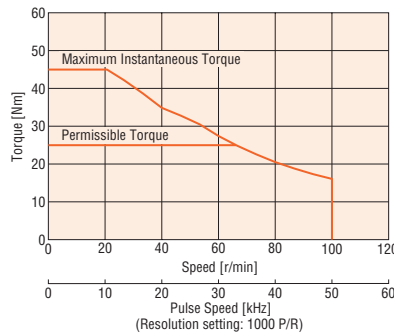
AZM98 Gear Ratio 10



AZM98 Gear Ratio 20



AZM98 Gear Ratio 30



Note

● Data for the speed – torque characteristics is based on Oriental Motor's internal measurement conditions. If the conditions are changed, the characteristics may also change as a result.

● Depending on the driving conditions, a considerable amount of heat may be generated by the motor. To protect the absolute sensor, be sure to keep the temperature of the motor case at 80°C or less. (When conforming to the UL or CSA Standards, the temperature of the motor case must be kept at 75°C or less since the motor is recognized as heat-resistant class A.)

FC Geared Type Frame Size 42 mm

Specifications

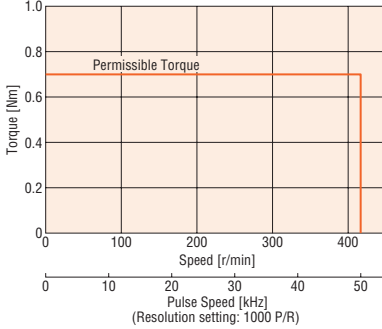


Motor Product Name	Single Shaft	AZM46AC-FC7.2□A	AZM46AC-FC10□A	AZM46AC-FC20□A	AZM46AC-FC30□A
Driver Product Name	With Electromagnetic Brake	AZM46MC-FC7.2□A	AZM46MC-FC10□A	AZM46MC-FC20□A	AZM46MC-FC30□A
Max. Holding Torque	Nm	0.7	1	2	3
Rotor Inertia	J: kgm ²	55×10 ⁻⁷ (71×10 ⁻⁷)*1			
Gear Ratio		7.2	10	20	30
Resolution	Resolution setting: 1000 P/R	0.05°/Pulse	0.036°/Pulse	0.018°/Pulse	0.012°/Pulse
Permissible Torque	Nm	0.7	1	2	3
Holding Torque at	Power ON	0.7	1	2	3
Motor Standstill	Electromagnetic Brake	0.7	1	2	3
Permissible Speed Range	r/min	0~416	0~300	0~150	0~100
Backlash	arcmin	25 (0.42°)		15 (0.25°)	
Power Supply Input		Check "Driver Specifications" on page 34 for the driver current when combined with a motor.			
Control Power Supply					

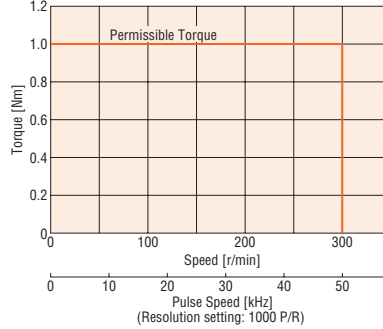
- Either **U** (Up) or **D** (Down) indicating the cable outlet direction is specified where the box □ is located in the product name.
- A letter indicating the driver type is specified where the box ■ is located in the product name. Check "List of Combinations" on page 21 for driver product names.
- *1 The value inside the () represents the value when connecting an electromagnetic brake motor.

Speed – Torque Characteristics (Reference values)

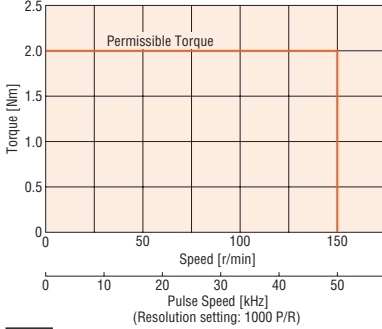
AZM46 Gear Ratio 7.2



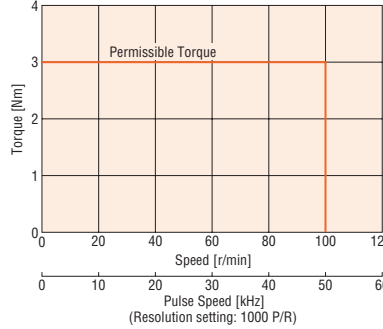
AZM46 Gear Ratio 10



AZM46 Gear Ratio 20



AZM46 Gear Ratio 30



Note

- Data for the speed – torque characteristics is based on Oriental Motor's internal measurement conditions. If the conditions are changed, the characteristics may also change as a result.
- Depending on the driving conditions, a considerable amount of heat may be generated by the motor. To protect the absolute sensor, be sure to keep the temperature of the motor case at 80°C or less. (When conforming to the UL or CSA Standards, the temperature of the motor case must be kept at 75°C or less since the motor is recognized as heat-resistant class A.)

System Configuration
 Product Line
 Specifications and Characteristics
 AC Input
 Dimensions
 Connection and Operation
 System Configuration
 Product Line
 Specifications and Characteristics
 DC Input
 Dimensions
 Connection and Operation
 Cables/ Peripheral Equipment

FC Geared Type Frame Size 60 mm

Specifications

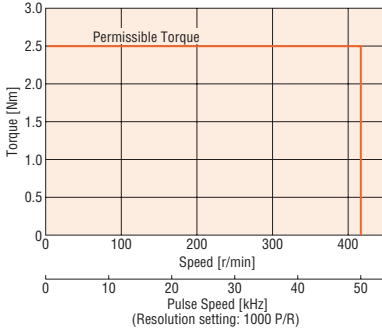


Motor Product Name	Single Shaft	AZM66AC-FC7.2□A	AZM66AC-FC10□A	AZM66AC-FC20□A	AZM66AC-FC30□A
Driver Product Name	With Electromagnetic Brake	AZM66MC-FC7.2□A	AZM66MC-FC10□A	AZM66MC-FC20□A	AZM66MC-FC30□A
Max. Holding Torque	Nm	2.5	3.5	7	10.5
Rotor Inertia	J: kgm ²	370×10 ⁻⁷ (530×10 ⁻⁷)*1			
Gear Ratio		7.2	10	20	30
Resolution	Resolution setting: 1000 P/R	0.05°/Pulse	0.036°/Pulse	0.018°/Pulse	0.012°/Pulse
Permissible Torque	Nm	2.5	3.5	7	10.5
Holding Torque at	Power ON	2.5	3.5	7	10.5
Motor Standstill	Electromagnetic Brake	2.5	3.5	7	10.5
Permissible Speed Range	r/min	0~416	0~300	0~150	0~100
Backlash	arcmin	15 (0.25°)		10 (0.17°)	
Power Supply Input		Check "Driver Specifications" on page 34 for the driver current when combined with a motor.			
Control Power Supply					

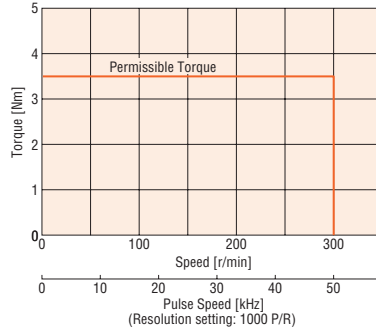
- Either **U** (Up) or **D** (Down) indicating the cable outlet direction is specified where the box □ is located in the product name.
- A letter indicating the driver type is specified where the box ■ is located in the product name. Check "List of Combinations" on page 21 for driver product names.
- *1 The value inside the () represents the value when connecting an electromagnetic brake motor.

Speed – Torque Characteristics (Reference values)

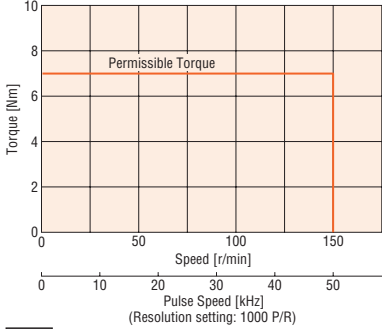
AZM66 Gear Ratio 7.2



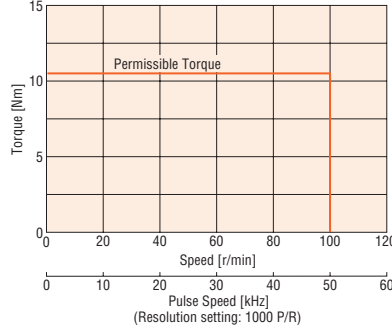
AZM66 Gear Ratio 10



AZM66 Gear Ratio 20



AZM66 Gear Ratio 30



Note

- Data for the speed – torque characteristics is based on Oriental Motor's internal measurement conditions. If the conditions are changed, the characteristics may also change as a result.
- Depending on the driving conditions, a considerable amount of heat may be generated by the motor. To protect the absolute sensor, be sure to keep the temperature of the motor case at 80°C or less. (When conforming to the UL or CSA Standards, the temperature of the motor case must be kept at 75°C or less since the motor is recognized as heat-resistant class A.)

PS Geared Type Frame Size 42 mm

Specifications



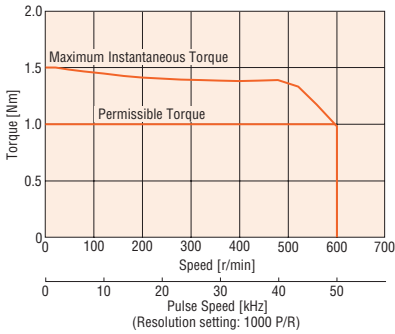
Motor Product Name	Single Shaft	AZM46AC-PS5	AZM46AC-PS7.2	AZM46AC-PS10	AZM46AC-PS25	AZM46AC-PS36	AZM46AC-PS50
Driver Product Name	With Electromagnetic Brake	AZM46MC-PS5	AZM46MC-PS7.2	AZM46MC-PS10	AZM46MC-PS25	AZM46MC-PS36	AZM46MC-PS50
Max. Holding Torque	Nm	1	1.5	2.5	3		
Rotor Inertia	J: kgm ²	55×10 ⁻⁷ (71×10 ⁻⁷)*1					
Gear Ratio		5	7.2	10	25	36	50
Resolution	Resolution setting: 1000 P/R	0.072°/Pulse	0.05°/Pulse	0.036°/Pulse	0.0144°/Pulse	0.01°/Pulse	0.0072°/Pulse
Permissible Torque	Nm	1	1.5	2.5	3		
Maximum Instantaneous Torque	Nm	1.5	2	3	6		
Holding Torque at	Power ON	Nm	0.75	1	1.5	2.5	3
Motor Standstill	Electromagnetic Brake	Nm	0.75	1	1.5	2.5	3
Permissible Speed Range	r/min	0~600	0~416	0~300	0~120	0~83	0~60
Backlash	arcmin	15 (0.25°)					
Power Supply Input		Check "■ Driver Specifications" on page 34 for the driver current when combined with a motor.					
Control Power Supply							

● A letter indicating the driver type is specified where the box ■ is located in the product name. Check "■ List of Combinations" on page 21 for driver product names.

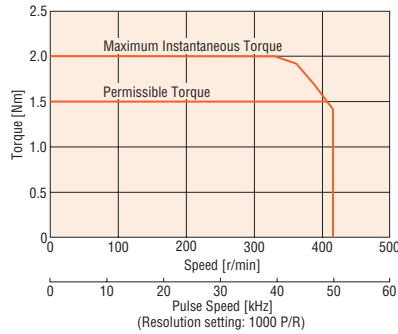
*1 The value inside the () represents the value when connecting an electromagnetic brake motor.

Speed – Torque Characteristics (Reference values)

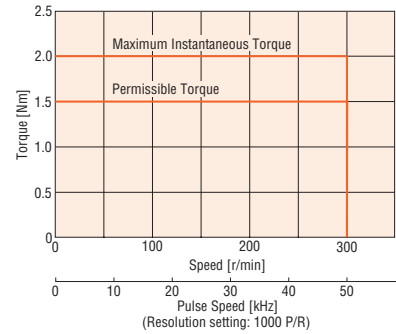
AZM46 Gear Ratio 5



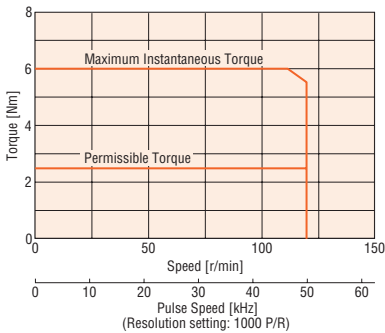
AZM46 Gear Ratio 7.2



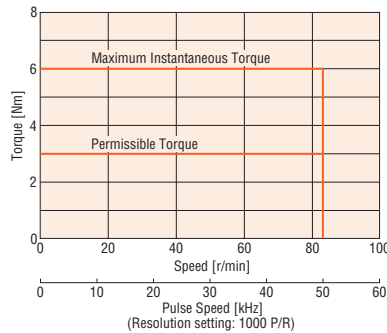
AZM46 Gear Ratio 10



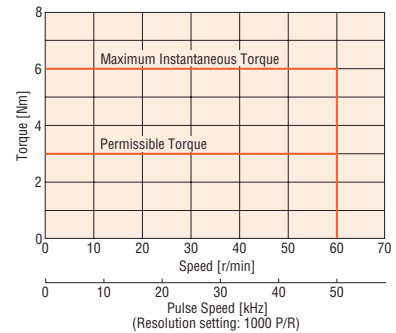
AZM46 Gear Ratio 25



AZM46 Gear Ratio 36



AZM46 Gear Ratio 50



Note

- Data for the speed – torque characteristics is based on Oriental Motor's internal measurement conditions. If the conditions are changed, the characteristics may also change as a result.
- Depending on the driving conditions, a considerable amount of heat may be generated by the motor. To protect the absolute sensor, be sure to keep the temperature of the motor case at 80°C or less. (When conforming to the UL or CSA Standards, the temperature of the motor case must be kept at 75°C or less since the motor is recognized as heat-resistant class A.)

PS Geared Type Frame Size 60 mm

Specifications



Motor Product Name	Single Shaft	AZM66AC-PS5	AZM66AC-PS7.2	AZM66AC-PS10	AZM66AC-PS25	AZM66AC-PS36	AZM66AC-PS50
Driver Product Name	With Electromagnetic Brake	AZM66MC-PS5	AZM66MC-PS7.2	AZM66MC-PS10	AZM66MC-PS25	AZM66MC-PS36	AZM66MC-PS50
Max. Holding Torque	Nm	3.4	4	5	8		
Rotor Inertia	J: kgm ²	370×10 ⁻⁷ (530×10 ⁻⁷)*1					
Gear Ratio		5	7.2	10	25	36	50
Resolution	Resolution setting: 1000 P/R	0.072°/Pulse	0.05°/Pulse	0.036°/Pulse	0.0144°/Pulse	0.01°/Pulse	0.0072°/Pulse
Permissible Torque	Nm	3.5	4	5	8		
Max. Instantaneous Torque*	Nm	*	*	11	16	20	
Holding Torque at Motor Standstill	Power ON	Nm	3	4	5	8	
	Electromagnetic Brake	Nm	3	4	5	8	
Permissible Speed Range	r/min	0~600	0~416	0~300	0~120	0~83	0~60
Backlash	arcmin	7 (0.12°)			9 (0.15°)		
Power Supply Input	Check "Driver Specifications" on page 34 for the driver current when combined with a motor.						
Control Power Supply	Check "Driver Specifications" on page 34 for the driver current when combined with a motor.						

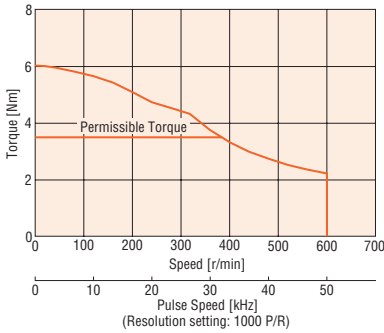
● A letter indicating the driver type is specified where the box ■ is located in the product name. Check "List of Combinations" on page 21 for driver product names.

* For the geared motor output torque, refer to the speed-torque characteristics.

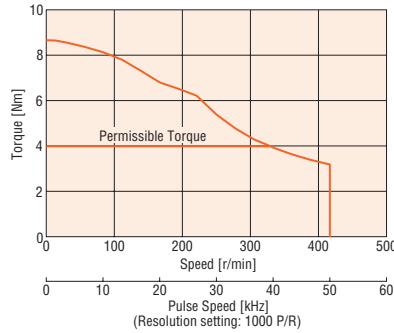
*1 The value inside the () represents the value when connecting an electromagnetic brake motor.

Speed – Torque Characteristics (Reference values)

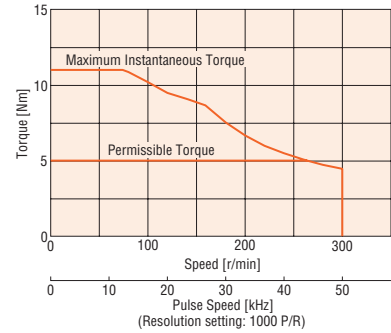
AZM66 Gear Ratio 5



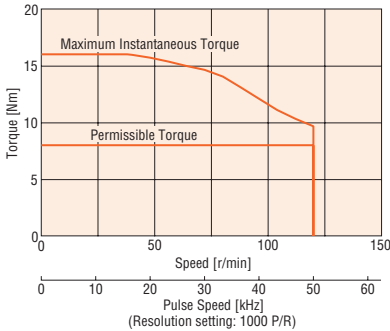
AZM66 Gear Ratio 7.2



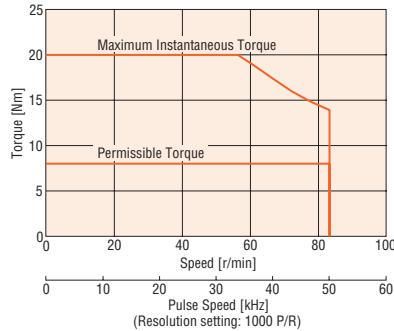
AZM66 Gear Ratio 10



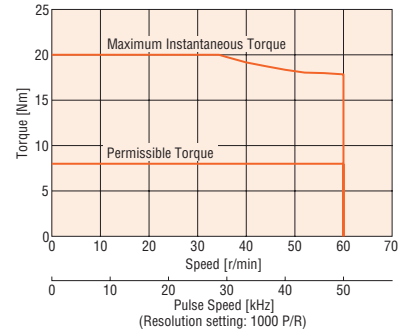
AZM66 Gear Ratio 25



AZM66 Gear Ratio 36



AZM66 Gear Ratio 50



Note

- Data for the speed – torque characteristics is based on Oriental Motor's internal measurement conditions. If the conditions are changed, the characteristics may also change as a result.
- Depending on the driving conditions, a considerable amount of heat may be generated by the motor. To protect the absolute sensor, be sure to keep the temperature of the motor case at 80°C or less. (When conforming to the UL or CSA Standards, the temperature of the motor case must be kept at 75°C or less since the motor is recognized as heat-resistant class A.)

PS Geared Type Frame Size 90 mm

Specifications



Motor Product Name	Single Shaft	AZM98AC-PS5	AZM98AC-PS7.2	AZM98AC-PS10	AZM98AC-PS25	AZM98AC-PS36	AZM98AC-PS50
Driver Product Name	With Electromagnetic Brake	AZM98MC-PS5	AZM98MC-PS7.2	AZM98MC-PS10	AZM98MC-PS25	AZM98MC-PS36	AZM98MC-PS50
Max. Holding Torque	Nm	10	14	20	20	37	37
Rotor Inertia	J: kgm ²	1090×10 ⁻⁷ (1250×10 ⁻⁷)*1					
Gear Ratio		5	7.2	10	25	36	50
Resolution	Resolution setting: 1000 P/R	0.072°/Pulse	0.05°/Pulse	0.036°/Pulse	0.0144°/Pulse	0.01°/Pulse	0.0072°/Pulse
Permissible Torque*	Nm	*	*	20	37		
Max. Instantaneous Torque*	Nm	*	*	*	*	60	
Holding Torque at Motor Standstill	Power ON	Nm	5	7.2	10	25	37
	Electromagnetic Brake	Nm	5	7.2	10	25	37
Permissible Speed Range	r/min	0~600	0~416	0~300	0~120	0~83	0~60
Backlash	arcmin	7 (0.12°)			9 (0.15°)		
Power Supply Input	Check "■ Driver Specifications" on page 34 for the driver current when combined with a motor.						
Control Power Supply							

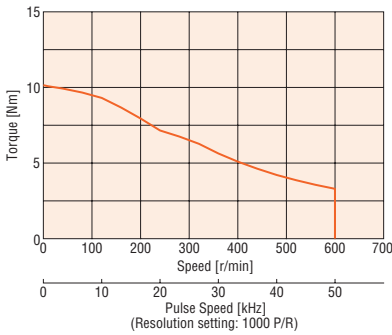
● A letter indicating the driver type is specified where the box ■ is located in the product name. Check "■ List of Combinations" on page 21 for driver product names.

* For the geared motor output torque, refer to the speed-torque characteristics.

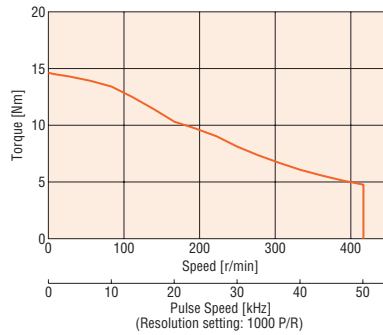
*1 The value inside the () represents the value when connecting an electromagnetic brake motor.

Speed – Torque Characteristics (Reference values)

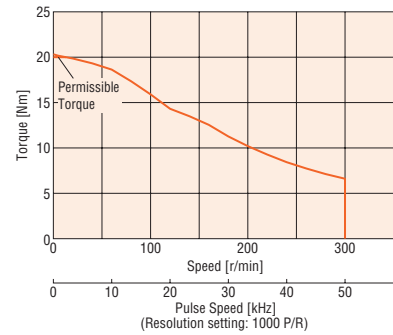
AZM98 Gear Ratio 5



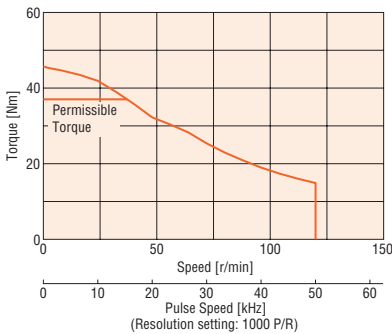
AZM98 Gear Ratio 7.2



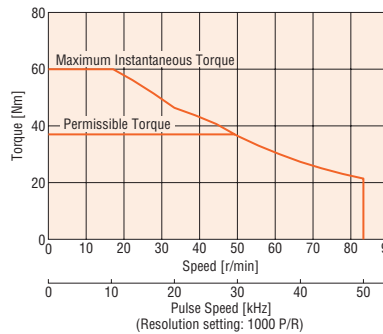
AZM98 Gear Ratio 10



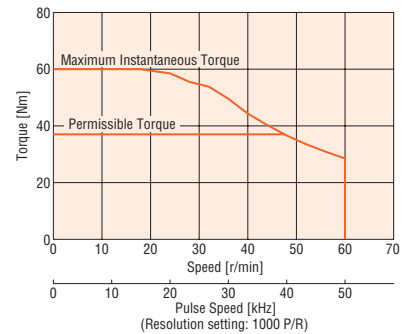
AZM98 Gear Ratio 25



AZM98 Gear Ratio 36



AZM98 Gear Ratio 50



Note

- Data for the speed – torque characteristics is based on Oriental Motor's internal measurement conditions. If the conditions are changed, the characteristics may also change as a result.
- Depending on the driving conditions, a considerable amount of heat may be generated by the motor. To protect the absolute sensor, be sure to keep the temperature of the motor case at 80°C or less. (When conforming to the UL or CSA Standards, the temperature of the motor case must be kept at 75°C or less since the motor is recognized as heat-resistant class A.)

System Configuration

Product Line

Specifications and Characteristics

AC Input

Dimensions

Connection and Operation

System Configuration

Product Line

Specifications and Characteristics

DC Input

Dimensions

Connection and Operation

Cables/Peripheral Equipment

HPG Geared Type Frame Size 40 mm, 60 mm, 90 mm

Specifications



Motor Product Name	Single Shaft	AZM46AC-HP5	AZM46AC-HP9	AZM66AC-HP5	AZM66AC-HP15	AZM98AC-HP5	AZM98AC-HP15
	With Electromagnetic Brake	AZM46MC-HP5	AZM46MC-HP9	AZM66MC-HP5	AZM66MC-HP15	AZM98MC-HP5	AZM98MC-HP15
Driver Product Name	AZD-A, AZD-C						
Max. Holding Torque	Nm	1.5	2.5	5.9	9	10	24
Rotor Inertia	J: kgm ²	55×10 ⁻⁷ (71×10 ⁻⁷)*1		370×10 ⁻⁷ (530×10 ⁻⁷)*1		1090×10 ⁻⁷ (1250×10 ⁻⁷)*1	
Inertia*2	J: kgm ²	5.8×10 ⁻⁷ (4.2×10 ⁻⁷)	3.4×10 ⁻⁷ (2.9×10 ⁻⁷)	92×10 ⁻⁷ (86×10 ⁻⁷)	78×10 ⁻⁷ (77×10 ⁻⁷)	629×10 ⁻⁷ (589×10 ⁻⁷)	488×10 ⁻⁷ (488×10 ⁻⁷)
Gear Ratio		5	9	5	15	5	15
Resolution	Resolution setting: 1000 P/R	0.072°/Pulse	0.04°/Pulse	0.072°/Pulse	0.024°/Pulse	0.072°/Pulse	0.024°/Pulse
Permissible Torque*	Nm	*	2.5	5.9	9	*	24
Max. Instantaneous Torque*	Nm	*	*	*	*	*	*
Holding Torque at	Power ON	0.75	1.35	3	9	5	15
Motor Standstill	Electromagnetic Brake	0.75	1.35	3	9	5	15
Permissible Speed Range	r/min	0~900	0~500	0~900	0~300	0~900	0~300
Backlash	arcmin	3 (0.05°)					
Output Flange Surface Runout*3	mm	0.02					
Output Flange Inner Runout*3	mm	0.03		0.04			
Power Supply Input	Check "Driver Specifications" on page 34 for the driver current when combined with a motor.						
Control Power Supply							

● For the flange output type, **F** is specified where the box is located in the product name.

A letter indicating the driver type is specified where the box is located in the product name. Check "List of Combinations" on page 21 for driver product names.

* For the geared motor output torque, refer to the speed-torque characteristics.

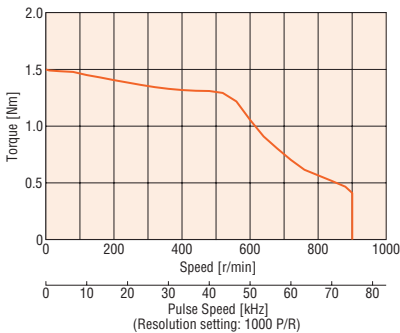
*1 The value inside the () represents the value when connecting an electromagnetic brake motor.

*2 This is the value of the internal inertia of the gear converted to the motor shaft. () contain values for the flange output type.

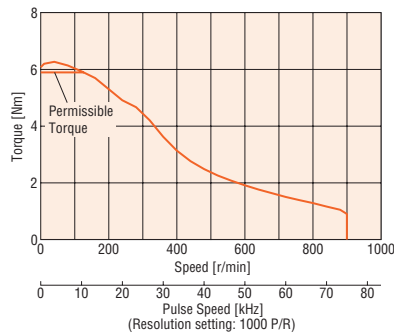
*3 Specifications for the flange output type.

Speed – Torque Characteristics (Reference values)

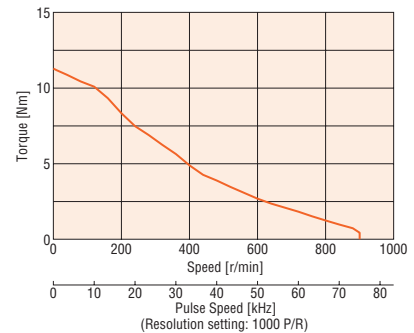
AZM46 Gear Ratio 5



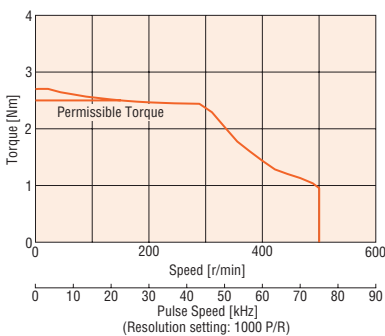
AZM66 Gear Ratio 5



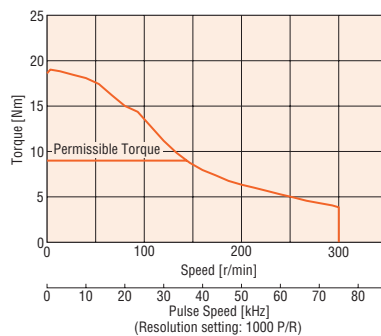
AZM98 Gear Ratio 5



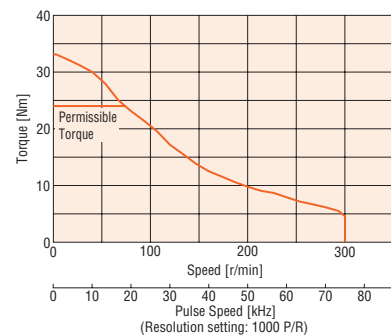
AZM46 Gear Ratio 9



AZM66 Gear Ratio 15



AZM98 Gear Ratio 15



Note

● Data for the speed – torque characteristics is based on Oriental Motor's internal measurement conditions. If the conditions are changed, the characteristics may also change as a result.

● Depending on the driving conditions, a considerable amount of heat may be generated by the motor. To protect the absolute sensor, be sure to keep the temperature of the motor case at 80°C or less. (When conforming to the UL or CSA Standards, the temperature of the motor case must be kept at 75°C or less since the motor is recognized as heat-resistant class A.)

Harmonic Geared Type Frame Size 42 mm, 60 mm, 90 mm

Specifications



Motor Product Name	Single Shaft	AZM46AC-HS50	AZM46AC-HS100	AZM66AC-HS50	AZM66AC-HS100	AZM98AC-HS50	AZM98AC-HS100
	With Electromagnetic Brake	AZM46MC-HS50	AZM46MC-HS100	AZM66MC-HS50	AZM66MC-HS100	AZM98MC-HS50	AZM98MC-HS100
Driver Product Name	AZD-A, AZD-C						
Max. Holding Torque	Nm	3.5	5	7	10	33	52
Rotor Inertia	J: kgm ²	72×10 ⁻⁷	(88×10 ⁻⁷)*1	405×10 ⁻⁷	(565×10 ⁻⁷)*1	1290×10 ⁻⁷	(1450×10 ⁻⁷)*1
Gear Ratio		50	100	50	100	50	100
Resolution	Resolution setting: 1000 P/R	0.0072°/Pulse	0.0036°/Pulse	0.0072°/Pulse	0.0036°/Pulse	0.0072°/Pulse	0.0036°/Pulse
Permissible Torque	Nm	3.5	5	7	10	33	52
Max. Instantaneous Torque*	Nm	8.3	11	23	36	*	107
Holding Torque at Power ON	Nm	3.5	5	7	10	33	52
Motor Standstill Electromagnetic Brake	Nm	3.5	5	7	10	33	52
Permissible Speed Range	r/min	0~70	0~35	0~70	0~35	0~70	0~35
Lost Motion (Load torque)	arcmin	1.5 max. (±0.16 Nm)	1.5 max. (±0.20 Nm)	0.7 max. (±0.28 Nm)	0.7 max. (±0.39 Nm)	0.7 max. (±1.2 Nm)	
Power Supply Input	Check "Driver Specifications" on page 34 for the driver current when combined with a motor.						
Control Power Supply							

● A letter indicating the driver type is specified where the box is located in the product name. Check "List of Combinations" on page 21 for driver product names.

* For the geared motor output torque, refer to the speed-torque characteristics.

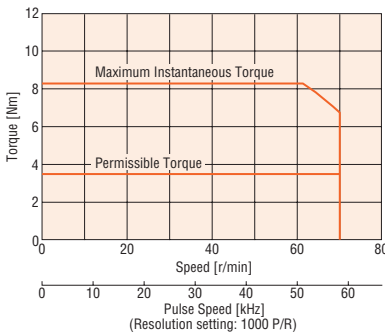
*1 The value inside the () represents the value when connecting an electromagnetic brake motor.

Note

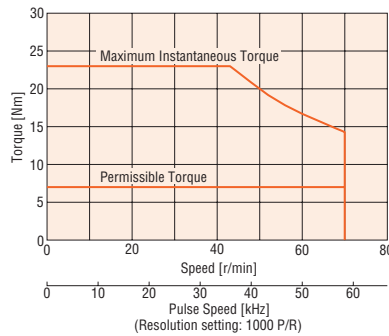
● The rotor inertia represents a sum of the inertia of the harmonic gear converted to motor shaft values.

Speed – Torque Characteristics (Reference values)

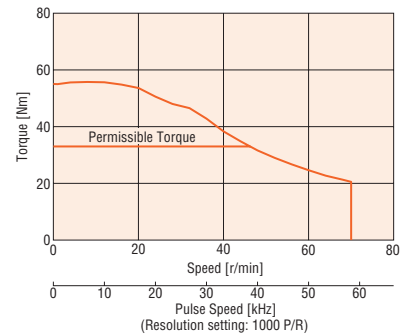
AZM46 Gear Ratio 50



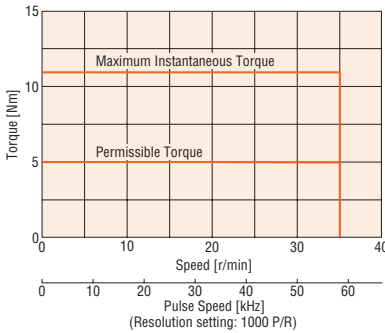
AZM66 Gear Ratio 50



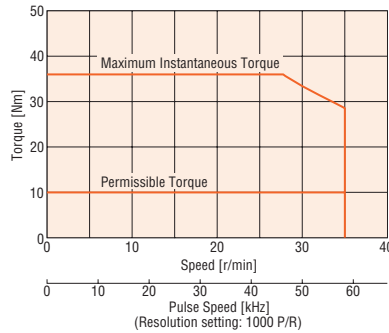
AZM98 Gear Ratio 50



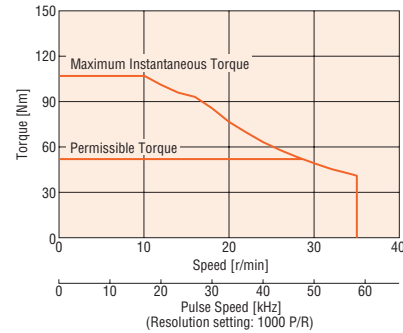
AZM46 Gear Ratio 100



AZM66 Gear Ratio 100



AZM98 Gear Ratio 100



Note

● Data for the speed – torque characteristics is based on Oriental Motor's internal measurement conditions. If the conditions are changed, the characteristics may also change as a result.

● Depending on the driving conditions, a considerable amount of heat may be generated by the motor. To protect the absolute sensor, be sure to keep the temperature of the motor case at 80°C or less. (When conforming to the UL or CSA Standards, the temperature of the motor case must be kept at 75°C or less since the motor is recognized as heat-resistant class A.)

System Configuration
Product Line
Specifications and Characteristics
AC Input
Dimensions
Connection and Operation
System Configuration
Product Line
Specifications and Characteristics
DC Input
Dimensions
Connection and Operation
Cables/Peripheral Equipment

Driver Specifications

Driver Product Name		AZD-AD	AZD-CD		
Main Power Supply	Input Voltage	Single-Phase 100-120 VAC -15~+6% 50/60 Hz	Single-Phase 200-240 VAC -15~+6% 50/60 Hz	Three-Phase 200-240 VAC -15~+6% 50/60 Hz	
	Input Current	AZM46	2.7 A	1.7 A	1.0 A
		AZM48	2.7 A	1.6 A	1.0 A
		AZM66	3.8 A	2.3 A	1.4 A
		AZM69	5.4 A	3.3 A	2.0 A
		AZM98	5.5 A	3.3 A	2.0 A
AZM911	6.4 A	3.9 A	2.3 A		
Control Power Supply	Input Voltage	24 VDC±5%*1			
	Input Current	0.25 A (0.5 A)*2			
Interface	Control Input	10 Points, Photocoupler			
	Pulse Output	2 Points, Line Driver			
	Control Output	6 Points, Photocoupler and Open-Collector			
	Power Shut Down Signal Input	2 Points, Photocoupler			
	Power Shut Down Monitor Output	1 Point, Photocoupler and Open-Collector			

*1 If an electromagnetic brake motor is used, it will be 24 VDC±4% when the distance between the motor and driver is extended to 20 m with an Oriental Motor cable.

*2 The value inside the () represents the value when connecting an electromagnetic brake motor. 0.33 A for **AZM46**.

Driver Product Name		AZD-AX AZD-A AZD-AEP AZD-AED AZD-APN	AZD-CX AZD-C AZD-CEP AZD-CED AZD-CPN		
Main Power Supply	Input Voltage	Single-Phase 100-120 VAC -15~+6% 50/60 Hz	Single-Phase 200-240 VAC -15~+6% 50/60 Hz	Three-Phase 200-240 VAC -15~+6% 50/60 Hz	
	Input Current	AZM46	2.7 A	1.7 A	1.0 A
		AZM48	2.7 A	1.6 A	1.0 A
		AZM66	3.8 A	2.3 A	1.4 A
		AZM69	5.4 A	3.3 A	2.0 A
		AZM98	5.5 A	3.3 A	2.0 A
AZM911	6.4 A	3.9 A	2.3 A		
Control Power Supply	Input Voltage	24 VDC±5%*1			
	Input Current	0.25 A (0.5 A)*2			
Interface	Pulse Input	· 2 Points, Photocoupler · Maximum Input Pulse Frequency Line Driver: 1 MHz (50% duty) Open Collector: 250 kHz (50% duty)			
	Control Input	6 Points, Photocoupler			
	Pulse Output	2 Points, Line Driver			
	Control Output	6 Points, Photocoupler and Open-Collector			
	Power Shut Down Signal Input	2 Points, Photocoupler			
	Power Shut Down Monitor Output	1 Point, Photocoupler and Open-Collector			

*1 If an electromagnetic brake motor is used, it will be 24 VDC±4% when the distance between the motor and driver is extended to 20 m with an Oriental Motor cable.

*2 The value inside the () represents the value when connecting an electromagnetic brake motor. 0.33 A for **AZM46**.

Driver Functions

- Built-in Controller Type, Pulse Input Type with RS-485 Communication, Pulse Input Type, EtherNet/IP compatible, PROFINET compatible

Driver Product Name		AZD-□D	AZD-□X	AZD-□	AZD-□EP AZD-□PN	
Number of Positioning Data Sets		256 Points	256 Points*1		256 Points	
Remote I/O	Input	16 Points		—	16 Points	
	Output	16 Points		—	16 Points	
Setting Tool		Support Software MEXE02				
Coordinates Management Method		Battery-free Absolute System				
Operation	Product Line	Positioning Operation	<input type="checkbox"/>	<input type="checkbox"/>	<input type="checkbox"/> *1	<input type="checkbox"/>
		Positioning Push-Motion Operation*2	<input type="checkbox"/>	<input type="checkbox"/>	<input type="checkbox"/> *1	<input type="checkbox"/>
	Linking	Independent Operation	<input type="checkbox"/>	<input type="checkbox"/>	<input type="checkbox"/> *1	<input type="checkbox"/>
		Sequential Operation	<input type="checkbox"/>	<input type="checkbox"/>	<input type="checkbox"/> *1	<input type="checkbox"/>
		Multistep Speed-Change (Configuration Connection)	<input type="checkbox"/>	<input type="checkbox"/>	<input type="checkbox"/> *1	<input type="checkbox"/>
	Sequence Control	Loop Operation (Repeating)	<input type="checkbox"/>	<input type="checkbox"/>	<input type="checkbox"/> *1	<input type="checkbox"/>
		Event Jump Operation	<input type="checkbox"/>	<input type="checkbox"/>	<input type="checkbox"/> *1	<input type="checkbox"/>
	Speed Control Operation (Continuous operation)		<input type="checkbox"/>	<input type="checkbox"/>	<input type="checkbox"/> *1	<input type="checkbox"/>
	Return-To-Home Operation	Return-To-Home Operation	<input type="checkbox"/>	<input type="checkbox"/>	<input type="checkbox"/>	<input type="checkbox"/>
		High-Speed Return-to-Home Operation	<input type="checkbox"/>	<input type="checkbox"/>	<input type="checkbox"/>	<input type="checkbox"/>
	JOG Operation		<input type="checkbox"/>	<input type="checkbox"/>	<input type="checkbox"/>	<input type="checkbox"/>
	Monitor/Information	Waveform Monitoring		<input type="checkbox"/>	<input type="checkbox"/>	<input type="checkbox"/>
Overload Detection		<input type="checkbox"/>	<input type="checkbox"/>	<input type="checkbox"/>	<input type="checkbox"/>	
Overheat Detection (Motor/Driver)		<input type="checkbox"/>	<input type="checkbox"/>	<input type="checkbox"/>	<input type="checkbox"/>	
Position/Speed Information		<input type="checkbox"/>	<input type="checkbox"/>	<input type="checkbox"/>	<input type="checkbox"/>	
Temperature Detection (Motor/Driver)		<input type="checkbox"/>	<input type="checkbox"/>	<input type="checkbox"/>	<input type="checkbox"/>	
Motor Load Factor		<input type="checkbox"/>	<input type="checkbox"/>	<input type="checkbox"/>	<input type="checkbox"/>	
Distance Traveled/Integrating Distance Traveled		<input type="checkbox"/>	<input type="checkbox"/>	<input type="checkbox"/>	<input type="checkbox"/>	
Alarm		<input type="checkbox"/>	<input type="checkbox"/>	<input type="checkbox"/>	<input type="checkbox"/>	

● Either **A** (single-phase 100-120 VAC) or **C** (single-phase/three-phase 200-240 VAC) indicating the power supply input is specified where the box □ is located in the product name.

*1 This can be used via the support software **MEXE02**.

*2 Push-motion operation is not used in the **DGII** Series linear & rotary actuators or geared motors.

● EtherCAT Drive Profile compatible

Driver Product Name		AZD-□ED
Remote I/O	Input	16 Points
	Output	16 Points
Operation Mode	Profile Position Mode (PP)	
	Profile Speed Mode (PV)	
	Return-to-Home Mode (HM)	
	Cyclic Synchronous Position Mode (CSP)	
	Cyclic Synchronous Speed Mode (CSV)	
Setting Tool		Support Software MEXE02
Coordinates Management Method		Battery-Free Absolute System
Monitor/Information		Same as the table above.
Alarm		<input type="checkbox"/>

● Either **A** (single-phase 100-120 VAC) or **C** (single-phase/three-phase 200-240 VAC) indicating the power supply input is specified where the box □ is located in the product name.

System Configuration
Product Line
Specifications and Characteristics
AC Input
Dimensions
Connection and Operation
System Configuration
Product Line
Specifications and Characteristics
DC Input
Dimensions
Connection and Operation
Cables/Peripheral Equipment

Communication Specifications

RS-485 Communication

Protocol	Modbus RTU Mode
Electrical Characteristics	EIA-485 Based, Straight Cable Use twisted-pair cables (TIA/EIA-568B CAT5e or better recommended). The max. total extension length is 50 m. *
Communication Mode	Half Duplex and Start-Stop Synchronization (Data: 8 bits, stop bit: 1 bit or 2 bits, parity: none, even, or odd)
Baud Rate	9600 bps/19200 bps/38400 bps/57600 bps/115200 bps/230400 bps are available
Connection Type	Up to 31 units can be connected to a single programmable controller (master equipment).

*If noise generated by the motor cable or power supply cable causes a problem with the specific wiring or layout, shield the cable or use ferrite cores.

EtherNet/IP

Communication Protocol	EtherNet/IP (Complies with CT16)	
Vendor ID	187: Oriental Motor Company	
Device Type	43: Generic Device	
Baud Rate	10/100 Mbps (Autonegotiation)	
Communication Mode	Full Duplex/Half Duplex (Autonegotiation)	
Cable Specifications	Shielded Twisted-Pair (STP) Cable Stroke/Cross, Category 5e min.	
Bytes	Output (Scanner → driver)	40 bytes
	Input (Driver → scanner)	56 bytes
Implicit Communication	Compatible Connections	2
	Connection Type	Exclusive Owner, Input Only
	Communication Cycle (RPI)	1~3200 ms
	Connection Type (Scanner → driver)	Point-to-Point
	Connection Type (Driver → scanner)	Point-to-Point, Multicast
	Data Reflection Trigger	Cyclic
IP Address Setting Method	IP Address Setting Switch, Parameter, DHCP	
Compatible Topologies	Star, Linear, Ring (Device Level Ring)	

EtherCAT

Communication Protocol	IEC 61158 Type12
Physical Layer/Protocol	100 BASE-TX (IEEE 802.3)
Baud Rate	100 Mbps
Communication Cycle	<ul style="list-style-type: none"> Free Run Mode: 1 ms min. SM2 Event Synchronous Mode: 1 ms min. DC Mode: 0.25 ms, 0.5 ms, 1 ms, 2 ms, 3 ms, 4 ms, 5 ms, 6 ms, 7 ms, 8 ms
Communication Port/ Connector	RJ45×2 (Shield-compatible) ECAT IN: EtherCAT Input ECAT OUT: EtherCAT Output
Topology	Daisy Chain (Max. 65,535 nodes)
Process Data	Variable PDO Mapping
Sync Manager	<ul style="list-style-type: none"> SM0: Mailbox Output SM1: Mailbox Input SM2: Process Data Output SM3: Process Data Input
Mailbox (CoE)	<ul style="list-style-type: none"> Emergency Messages SDO Requests SDO Responses SDO Information
Synchronous Mode	<ul style="list-style-type: none"> Free Run Mode (Asynchronous) SM2 Event Synchronous Mode DC Mode (SYNC0 Event Synchronous)
Device Profile	IEC 61800-7 CiA402 Drive Profile

● PROFINET

Communication Protocol	PROFINET IO Ver.2.4	
Vendor ID	0x33E: ORIENTAL MOTOR	
Baud Rate	100 Mbps (Autonegotiation)	
Communication Mode	Full Duplex (Autonegotiation)	
Cable Specifications	Shielded Twisted-Pair (STP) Cable Stroke/Cross, Category 5e min. Recommended	
Communication Connector	RJ45×2 (Shield-compatible)	
Conformance Class	B	
RT/IRT	RT	
NetLoad Class	I	
Supported Protocols	DCP, LLDP, SNMP, MRP*	
Bytes	Output (Host System→driver)	40 byte
	Input (Driver→host system)	56 byte
Compatible Topologies	Star, Tree, Line, Ring*	

*Specifications will vary according to the driver. Identify them using either the Module Software Version or the driver's date of manufacture.

The Module Software Version can be confirmed on either the **MEXEO2** PROFINET monitor or the host system's setting tool.

- If the Module Software Version is 2.00 or later or the driver's date of manufacture is June 2022 or later Compatible with MRP and Ring.
- If the Module Software Version is 1.00 or earlier or the driver's date of manufacture is May 2022 or earlier

The driver is certified as a 1-port PROFINET product. The output LLDP/SNMP information is the same regardless of which communication connector it is connected to.
Not compatible with MRP or Ring.

AC Input	System Configuration
	Product Line
	Specifications and Characteristics
	Dimensions
	Connection and Operation
DC Input	System Configuration
	Product Line
	Specifications and Characteristics
	Dimensions
	Connection and Operation
Cables/ Peripheral Equipment	

General Specifications

	Motor	Driver	
		Built-in Controller Type Pulse Input Type with RS-485 Communication EtherNet/IP compatible EtherCAT Drive Profile compatible PROFINET compatible	Pulse Input Type
Thermal Class	130 (B) [UL/CSA is certified as compliant with 105 (A)]	—	
Insulation Resistance	100 MΩ or more when a 500 VDC megger is applied between the following places: • Case–Motor Winding • Case–Electromagnetic Brake Winding*1	100 MΩ or more when a 500 VDC megger is applied between the following places: • Protective Earth Terminal–Main Power Supply Terminal • Encoder Connector–Main Power Supply Terminal • I/O Signal Terminal–Main Power Supply Terminal	
Dielectric Strength	Sufficient to withstand the following for 1 minute: • Case–Motor Winding 1.5 kVAC 50 Hz or 60 Hz • Case–Electromagnetic Brake Winding*1 1.5 kVAC 50 Hz or 60 Hz	Sufficient to withstand the following for 1 minute: • Protective Earth Terminal–Main Power Supply Terminal 1.5 kVAC, 50 Hz or 60 Hz • Encoder Connector–Main Power Supply Terminal 1.8 kVAC, 50 Hz or 60 Hz • I/O Signal Terminal–Main Power Supply Terminal 1.8 kVAC, 50 Hz or 60 Hz	
Operating Environment (In operation)	Ambient Temperature	0~+40°C (Non-freezing)*2	
	Ambient Humidity	85% or less (Non-condensing)	
	Atmosphere	No corrosive gases or dust. The product should not be exposed to water, oil or other liquids.	
Degree of Protection	IP66 (excluding installation surfaces and connectors)	IP10	IP20
Stop Position Accuracy	AZM46, AZM48 : ±4 arc minutes (±0.067°)	AZM66, AZM69, AZM98, AZM911 : ±3 arc minutes (±0.05°)	
Shaft Runout	0.05T.I.R. (mm)*4	—	
Concentricity of Installation Pilot to the Shaft	0.075T.I.R. (mm)*4	—	
Perpendicularity of Installation Surface to the Shaft	0.075T.I.R. (mm)*4	—	
Multiple Rotation Detection Range in Power OFF State	±900 Rotation (1800 rotations)		

*1 Only for products with an electromagnetic brake

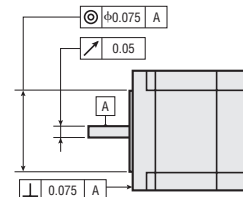
*2 Based on Oriental Motor's internal measurement conditions

*3 When a heat sink of a capacity at least equivalent to an aluminum plate with a size of 200×200 mm and 2 mm thickness

*4 T. I. R. (Total Indicator Reading): The total dial gauge reading when the measurement section is rotated once around the reference axis center.

Note

- Separate the motor and driver when measuring insulation resistance or performing a dielectric voltage withstand test. Also, do not perform these tests on the absolute sensor part of the motor.



Electromagnetic Brake Specifications

Product Name	AZM46	AZM66	AZM69	AZM98	
Type	Power Off Activated Type				
Power Supply Voltage	DC24V ±5%*				
Power Supply Current	A	0.08	0.25	0.25	0.25
Time Rating	Continuous				

* For the type with an electromagnetic brake, a 24 VDC ±4% specification applies if the wiring distance between the motor and driver is extended to 20 m using a cable.

Rotation Direction

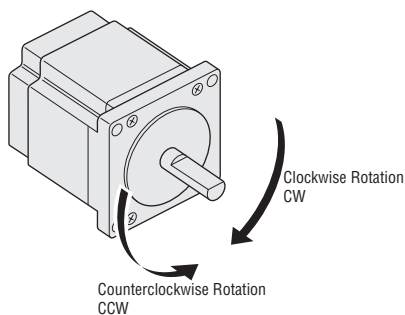
This indicates the rotation direction when viewed from the output shaft side of the motor.

The rotation direction of the output gear shaft relative to the standard type motor output shaft varies depending on the gear type and gear ratio.

Please check the following table.

Type	Gear Ratio	Rotation Direction when Viewed from the Output Shaft Side of the Motor
TS Geared Type	3.6, 7.2, 10	Same Direction
	20, 30	Opposite Direction
FC Geared Type	Total Gear Ratio	Same Direction
PS Geared Type		
HPG Geared Type		
Harmonic Geared Type	Total Gear Ratio	Opposite Direction

● Standard Type Motor



Permissible Radial Load and Permissible Axial Load

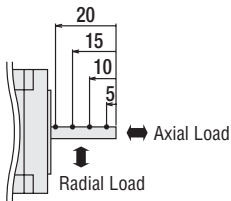
Unit: N

Type	Motor Frame Size	Product Name	Gear Ratio	Permissible Radial Load					Permissible Axial Load	
				Distance from Shaft End mm						
				0	5	10	15	20		
Standard Type	42 mm	AZM46	-	35	44	58	85	-	15	
		AZM48		30	35	44	58	85		
	60 mm	AZM66, AZM69		90	100	130	180	270	30	
	85 mm	AZM98, AZM911		260	290	340	390	480	60	
TS Geared Type	42 mm	AZM46	3.6, 7.2, 10	20	30	40	50	-	15	
		20, 30		40	50	60	70	-		
	60 mm	AZM66	3.6, 7.2, 10	120	135	150	165	180	40	
		20, 30		170	185	200	215	230		
FC Geared Type	42 mm	AZM46	7.2, 10, 20, 30	180	200	220	250	-	100	
		AZM66		270	290	310	330	350		
	60 mm	AZM46		300	325	350	375	400	150	
		AZM98		400	450	500	550	600		
PS Geared Type	42 mm	AZM46	5	70	80	95	120	-	100	
				7.2	80	90	110	140		-
				10	85	100	120	150		-
				25	120	140	170	210		-
				36	130	160	190	240		-
				50	150	170	210	260		-
	60 mm	AZM66		5	170	200	230	270	320	200
				7.2	200	220	260	310	370	
				10	220	250	290	350	410	
				25	300	340	400	470	560	
				36	340	380	450	530	630	
				50	380	430	500	600	700	
	90 mm	AZM98		5	380	420	470	540	630	600
				7.2	430	470	530	610	710	
				10	480	530	590	680	790	
				25	650	720	810	920	1070	
				36	730	810	910	1040	1210	
				50	820	910	1020	1160	1350	
HPG Geared Type	40 mm	AZM46	5	150	170	190	230	270	430	
		9		180	200	230	270	320		
	60 mm	AZM66		5	250	270	300	330	360	700
		15		360	380	420	460	510		
	90 mm	AZM98		5	600	630	670	710	750	1460
		15		830	880	930	980	1050	2030	
Harmonic Geared Type	42 mm	AZM46	50, 100	180	220	270	360	510	220	
	60 mm	AZM66		320	370	440	550	720	450	
	90 mm	AZM98		1090	1150	1230	1310	1410	1300	

- The product names are listed such that the product names are distinguishable.
- The **PS** geared type and **HPG** geared type have a full lifespan of 20,000 hours when either the permissible radial load or the permissible axial load is applied. For the life of gearhead, please contact the nearest Oriental Motor sales office, or visit the Oriental Motor website.

Radial Load and Axial Load

Distance from Shaft End [mm]



System Configuration
Product Line
Specifications and Characteristics
AC Input
Dimensions
Connection and Operation
System Configuration
Product Line
Specifications and Characteristics
DC Input
Dimensions
Connection and Operation
Cables/Peripheral Equipment

■ Permissible Moment Load

If an eccentric load is applied to the output flange-installation surface, load moment acts on the bearing.
Confirm before use that the axial load and load moment are within specification with the following formulas.

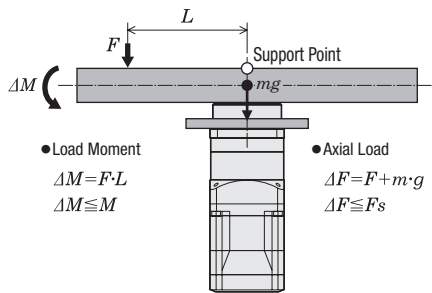
● HPG Geared Type Flange Output Type

Product Name	Gear Ratio	Permissible Axial Load [N]	Permissible Moment Load [Nm]	Constant a [m]
AZM46	5	430	4.9	0.006
	9	510	5.9	
AZM66	5	700	12.0	0.011
	15	980	17.2	
AZM98	5	1460	38.7	0.0115
	15	2030	53.5	

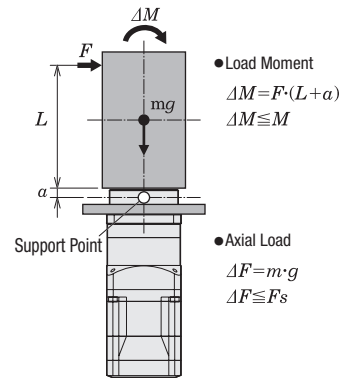
- m : Load mass (kg)
- g : Gravitational acceleration (m/s²)
- F : External force (N)
- L : Overhung distance (m)
- a : Constant (m)
- ΔF : Load applied to output flange face (N)
- F_s : Permissible axial load (N)
- ΔM : Load moment (Nm)
- M : Permissible moment load (Nm)

The load moment can be calculated with the following formula.

Example 1: External force F (N) applied to the overhung position L (m) in a horizontal direction from the center of the output flange



Example 2: External force F (N) applied to the overhung position L (m) in a vertical direction from the output flange-installation surface

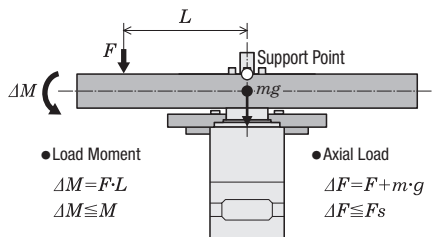


● Harmonic Geared Type

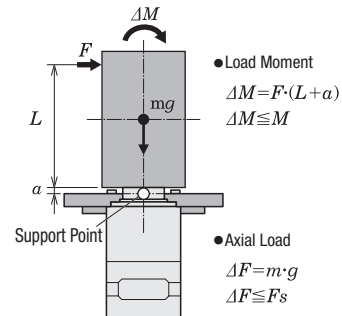
Motor Frame Size	Permissible Axial Load [N]	Permissible Moment Load [Nm]	Constant a [m]
42 mm	220	5.6	0.009
60 mm	450	11.6	0.0114

The permissible moment load can be calculated with the following formula.

Example 1: External force F (N) applied to the overhung position L (m) in a horizontal direction from the center of the output flange

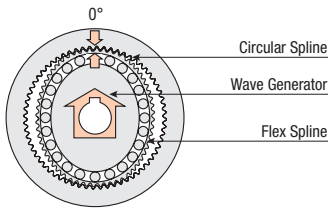


Example 2: External force F (N) applied to the overhung position L (m) in a vertical direction from the output flange-installation surface



Harmonic Geared Type Accuracy

Principle and Structure



Accuracy

Unlike the conventional spur gear gearhead, the harmonic gear has no backlash. The harmonic gear has many teeth in simultaneous meshing engagement, and is designed to average out the effects of tooth pitch error and cumulative pitch error on rotation accuracy to ensure high positioning accuracy. Also, harmonic gears have high gear ratio, so that the torsion when the load torque is applied to the output shaft is much smaller than a single motor and other geared motor, and the rigidity is high. High rigidity is less subject to load fluctuation and enables stable positioning. When the high positioning accuracy and rigidity are required, refer to the following characteristics.

Angular Transmission Accuracy

Angular transmission error is the difference between the theoretical rotation angle of the output shaft, as calculated from the input pulse count, and actual rotation angle. Represented as the difference between the min. value and max. value in the set of measurements taken for a single rotation of the output shaft, starting from an arbitrary position.

Product Name	Angular Transmission Accuracy [arcmin]
AZM24-HS □	2 (0.034°)
AZM46-HS □	1.5 (0.025°)
AZM66-HS □	
AZM98-HS □	1 (0.017°)

● Values under no load conditions (gear reference values)

Torque – Torsion Characteristics

In actual applications, there is always frictional load, and displacement is produced as a result of this frictional load. If the frictional load is constant, the displacement will be constant for unidirectional operation. However, in bidirectional operation, double the displacement is produced over a round trip. This displacement can be estimated from the following torque – torsion characteristics.

This displacement occurs when an external force is applied as the gear is stopped, or when the gear is driven under a frictional load. The slope can be approximated with the spring constant in the following 3 classes, depending on the size of the load torque, and can be estimated through calculation.

1. Load torque T_L is T_1 max.

$$\theta = \frac{T_L}{K_1} \text{ [min]}$$

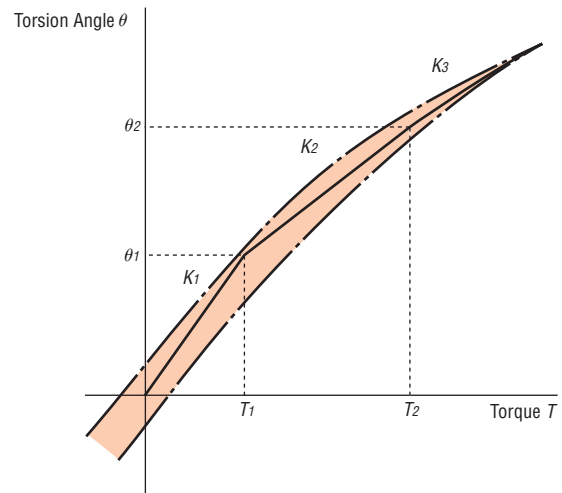
2. Load torque T_L exceeds T_1 but is less than T_2

$$\theta = \theta_1 + \frac{T_L - T_1}{K_2} \text{ [min]}$$

3. Load torque T_L exceeds T_2

$$\theta = \theta_2 + \frac{T_L - T_2}{K_3} \text{ [min]}$$

The torsion angle of the harmonic gear alone is calculated according to the size of the load torque.



Torsion Angle – Torque Characteristics

Values for Determining Torsion Angle

Product Name	Gear Ratio	T1 Nm	K1 Nm/min	θ_1 min	T2 Nm	K2 Nm/min	θ_2 min	K3 Nm/min
AZM24-HS50	50	0.29	0.08	3.7	—	0.12	—	—
AZM24-HS100	100	0.29	0.1	2.9	1.5	0.15	11	0.21
AZM46-HS50	50	0.8	0.64	1.25	2	0.87	2.6	0.93
AZM46-HS100	100	0.8	0.79	1.02	2	0.99	2.2	1.28
AZM66-HS50	50	2	0.99	2	6.9	1.37	5.6	1.66
AZM66-HS100	100	2	1.37	1.46	6.9	1.77	4.2	2.1
AZM98-HS50	50	7	3.8	1.85	25	5.2	5.3	6.7
AZM98-HS100	100	7	4.7	1.5	25	7.3	4	8.4

Load Torque – Driver Input Current Characteristics

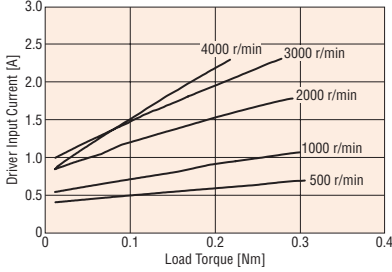
This is the relationship between load torque and driver input current at various speeds under actual operation conditions. Due to these characteristics, it is possible to estimate the power supply capacity required to use the multi-axis. For geared types, use the speed and torque at the motor shaft.

Motor shaft speed = Output gear shaft speed × Gear ratio [r/min]

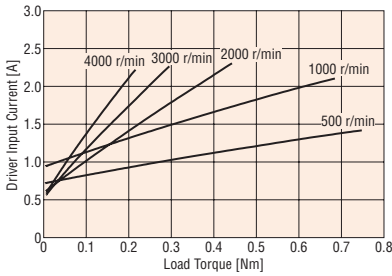
$$\text{Motor Shaft Torque} = \frac{\text{Output gear shaft torque}}{\text{Gear Ratio}} \quad [\text{N}\cdot\text{m}]$$

Single-Phase 100-120 VAC

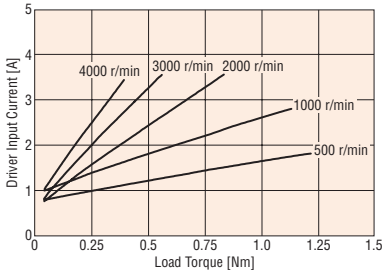
AZM46□C



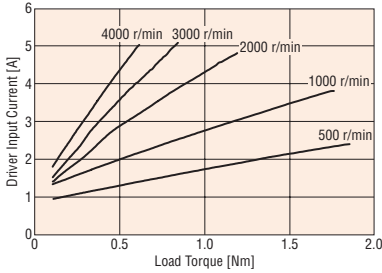
AZM48□C



AZM66□C

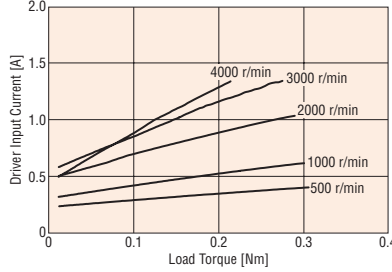


AZM69□C

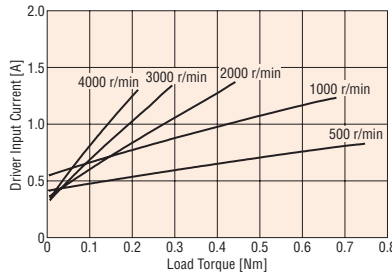


Single-Phase 200-240 VAC

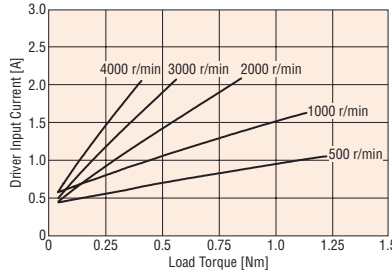
AZM46□C



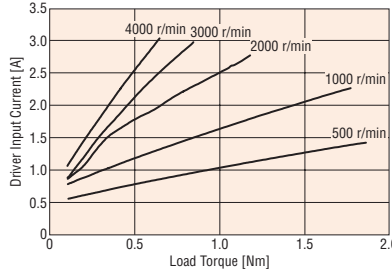
AZM48□C



AZM66□C

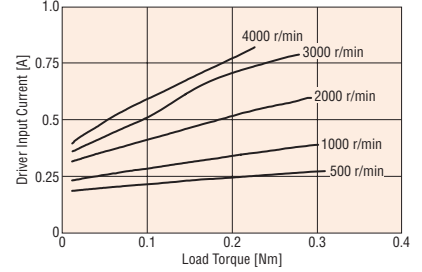


AZM69□C

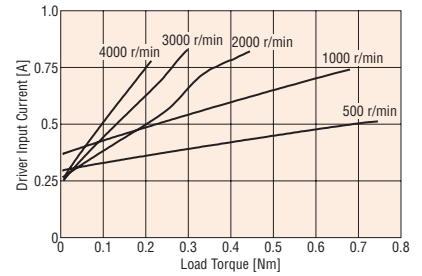


Three-Phase 200-240 VAC

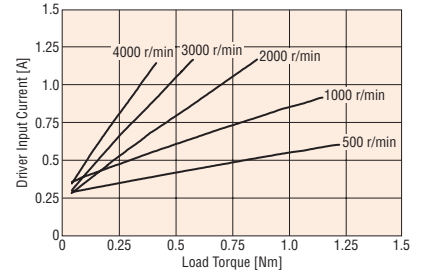
AZM46□C



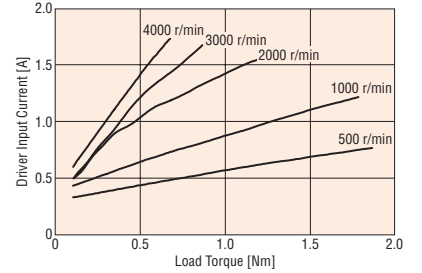
AZM48□C



AZM66□C

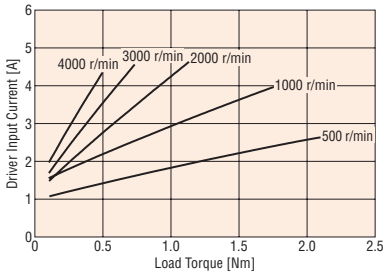


AZM69□C

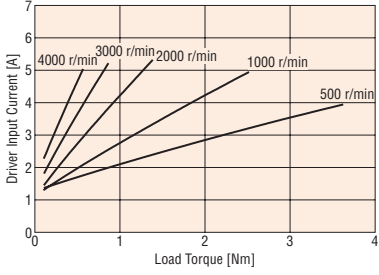


● Single-Phase 100-120 VAC

AZM98□C

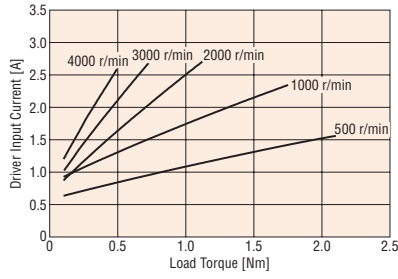


AZM911□C

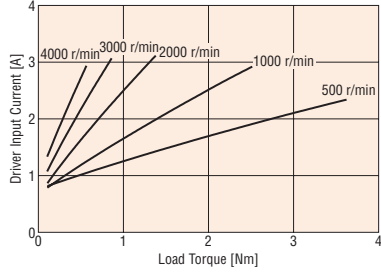


● Single-Phase 200-240 VAC

AZM98□C

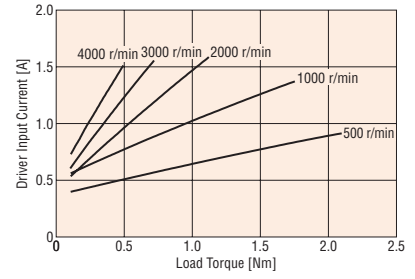


AZM911□C

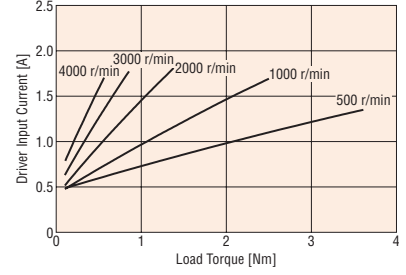


● Three-Phase 200-240 VAC

AZM98□C



AZM911□C



System Configuration	Product Line	Specifications and Characteristics	Dimensions	Connection and Operation	System Configuration	Product Line	Specifications and Characteristics	Dimensions	Connection and Operation	Cables/Peripheral Equipment
		AC Input					DC Input			

Dimensions (Unit = mm)

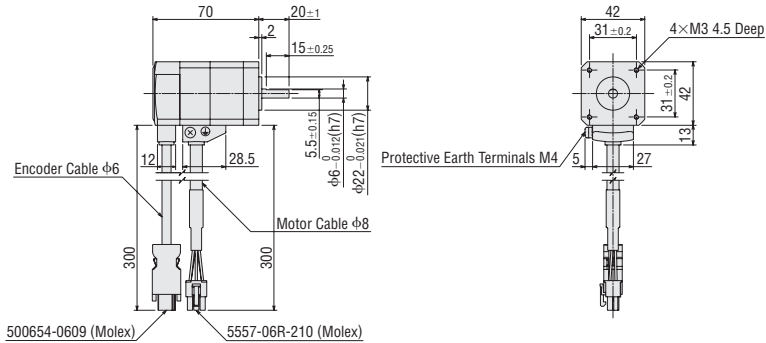
Motor

Standard Type

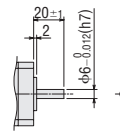
Frame Size 42 mm

Motor Shaft Type	Product Name	Mass [kg]
Round Shaft with Flat	AZM46AC	0.44
Straight Type	AZM46A0C	

Round Shaft with Flat



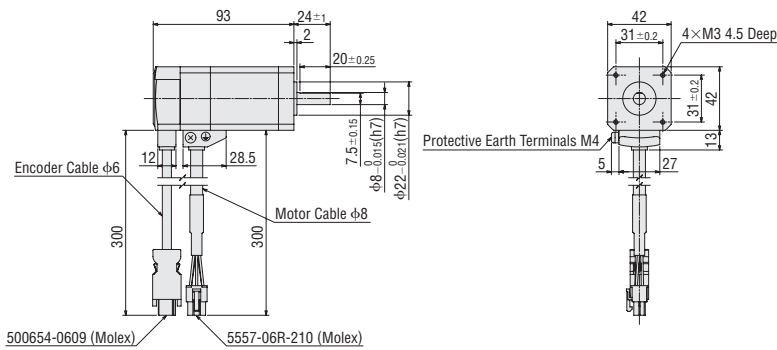
Straight Type



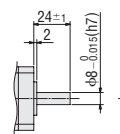
Frame Size 42 mm

Motor Shaft Type	Product Name	Mass [kg]
Round Shaft with Flat	AZM48AC	0.68
Straight Type	AZM48A0C	
With Key	AZM48A1C	

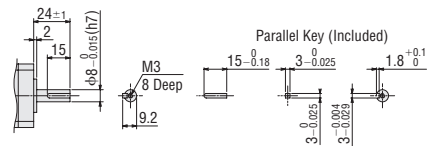
Round Shaft with Flat



Straight Type



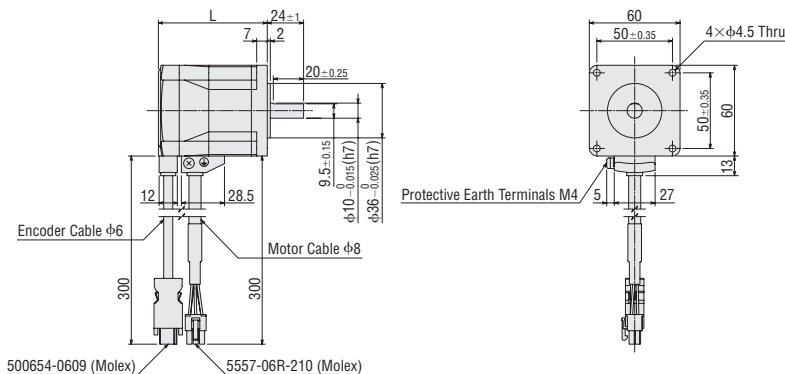
With Key



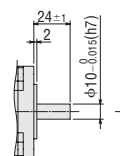
Frame Size 60 mm

Motor Shaft Type	Product Name	L	Mass [kg]
Round Shaft with Flat	AZM66AC	72	0.91
Straight Type	AZM66A0C		
With Key	AZM66A1C		
Round Shaft with Flat	AZM69AC	97.5	1.4
Straight Type	AZM69A0C		
With Key	AZM69A1C		

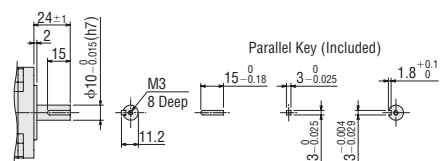
Round Shaft with Flat



Straight Type



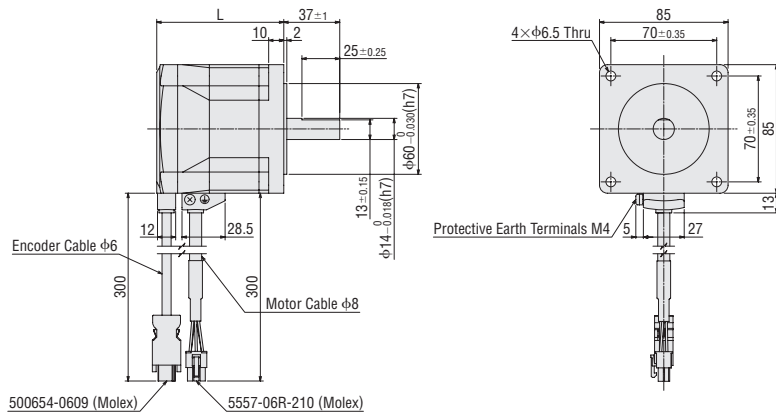
With Key



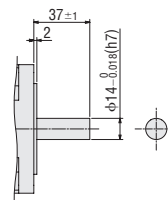
Frame Size 85 mm

Motor Shaft Type	Product Name	L	Mass [kg]
Round Shaft with Flat	AZM98AC	84	1.9
Straight Type	AZM98A0C		
With Key	AZM98A1C		
Round Shaft with Flat	AZM911AC	114	3
Straight Type	AZM911A0C		
With Key	AZM911A1C		

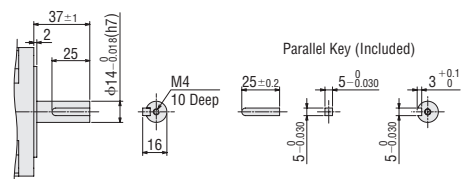
Round Shaft with Flat



Straight Type



With Key

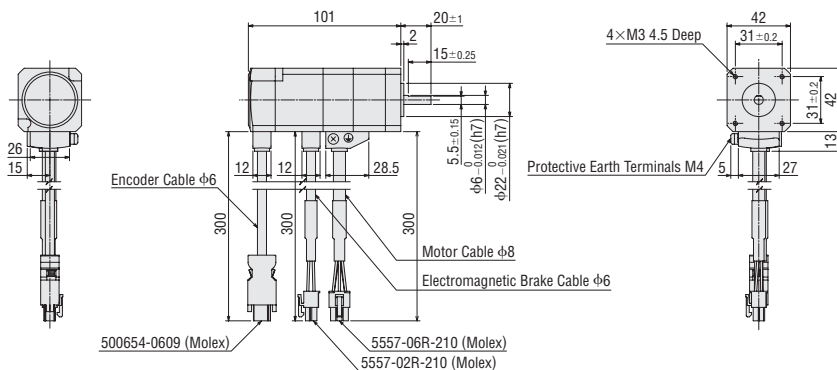


◇ Standard Type with an Electromagnetic Brake

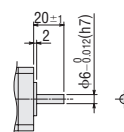
Frame Size 42 mm

Motor Shaft Type	Product Name	Mass [kg]
Round Shaft with Flat	AZM46MC	0.61
Straight Type	AZM46M0C	

Round Shaft with Flat



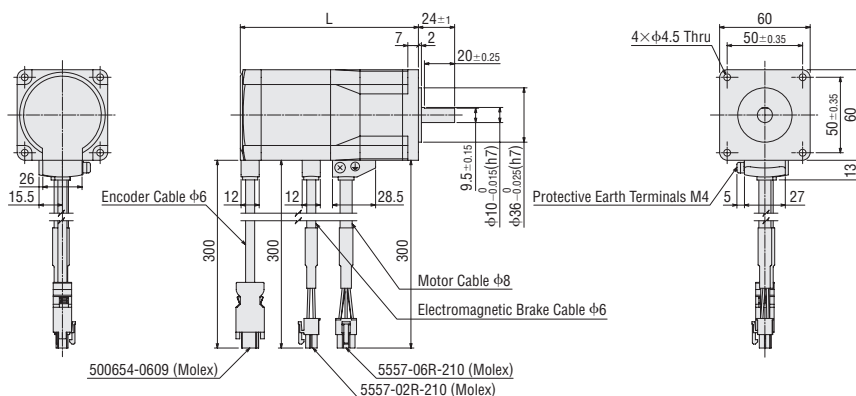
Straight Type



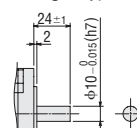
Frame Size 60 mm

Motor Shaft Type	Product Name	L	Mass [kg]
Round Shaft with Flat	AZM66MC	118	1.3
Straight Type	AZM66M0C		
With Key	AZM66M1C		
Round Shaft with Flat	AZM69MC	143.5	1.8
Straight Type	AZM69M0C		
With Key	AZM69M1C		

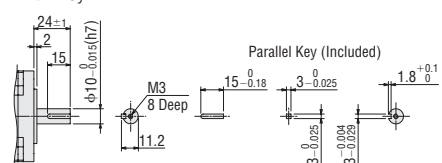
Round Shaft with Flat



Straight Type



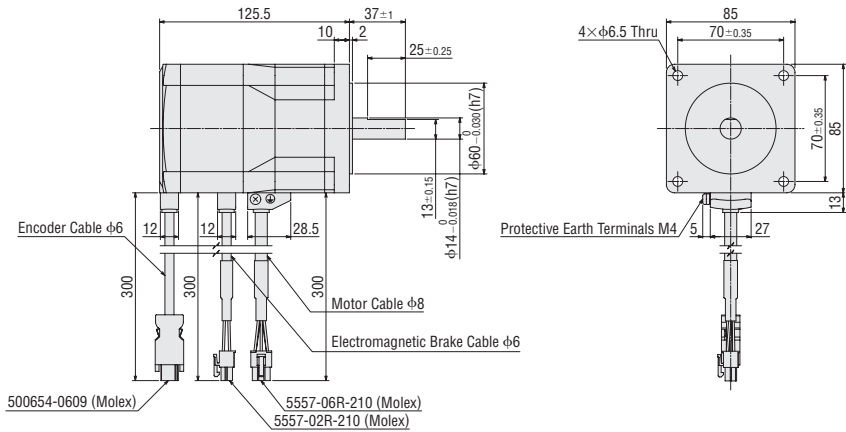
With Key



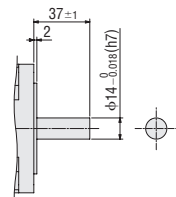
Frame Size 85 mm

Motor Shaft Type	Product Name	Mass [kg]
Round Shaft with Flat	AZM98MC	2.5
Straight Type	AZM98MOC	
With Key	AZM98M1C	

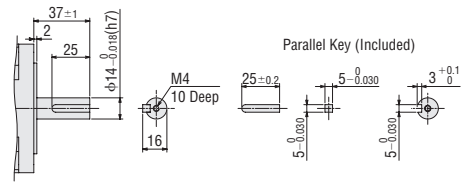
Round Shaft with Flat



Straight Type



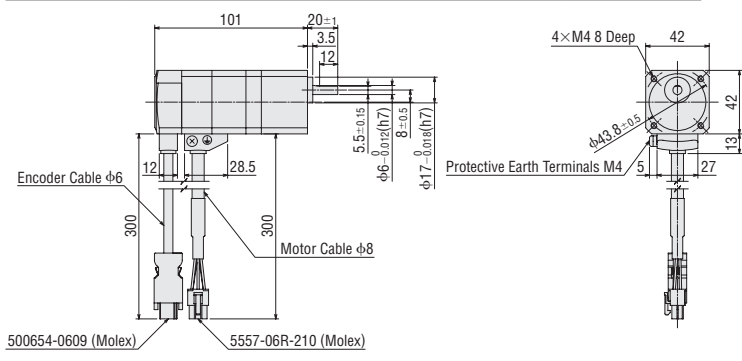
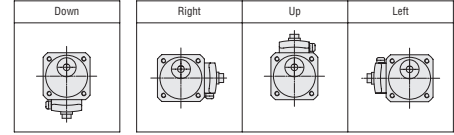
With Key



◇TS Geared Type Frame Size 42 mm

Cable Outlet Direction	Product Name	Gear Ratio	Mass [kg]
Down	AZM46AC-TS ■	3.6, 7.2, 10, 20, 30	0.59
Right	AZM46AC-TS ■R		
Up	AZM46AC-TS ■U		
Left	AZM46AC-TS ■L		

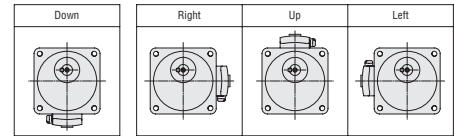
● Cable Outlet Direction



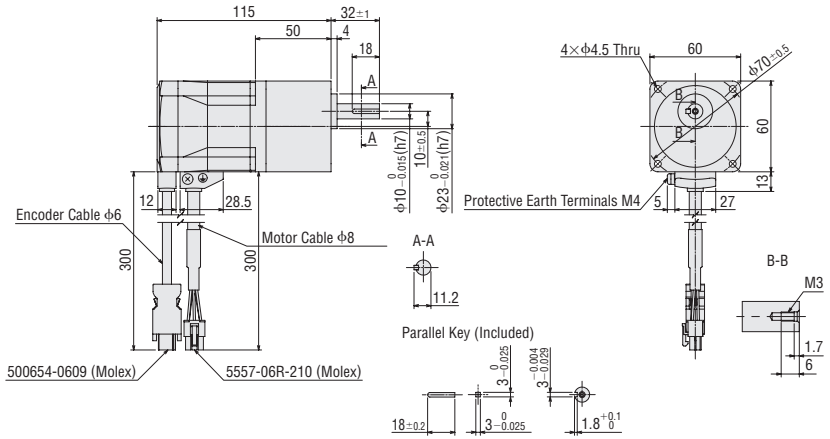
Frame Size 60 mm

Cable Outlet Direction	Product Name	Gear Ratio	Mass [kg]
Down	AZM66AC-TS ■	3.6, 7.2, 10, 20, 30	1.3
Right	AZM66AC-TS ■R		
Up	AZM66AC-TS ■U		
Left	AZM66AC-TS ■L		

● Cable Outlet Direction



● Installation Screws: M4×60 P0.7 (4 screws included)

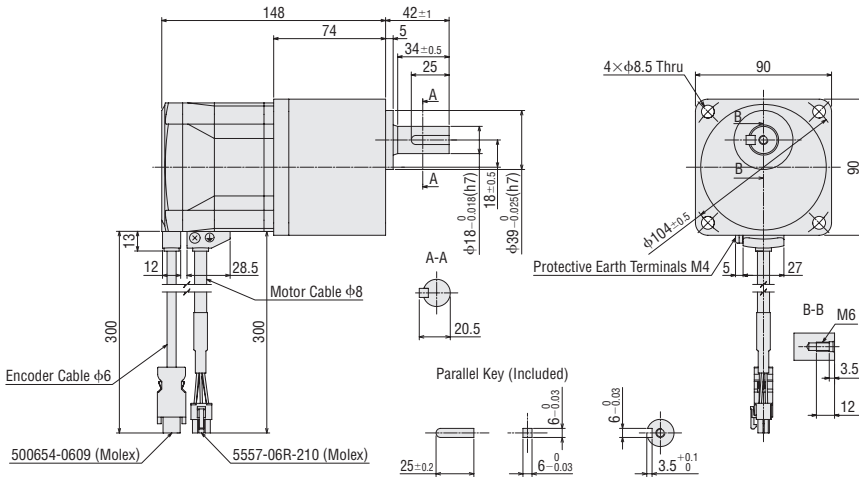


● A number indicating the gear ratio is specified where the box ■ is located in the product name.

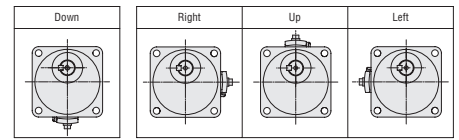
Frame Size 90 mm

Cable Outlet Direction	Product Name	Gear Ratio	Mass [kg]
Down	AZM98AC-TS 	3.6, 7.2, 10, 20, 30	3.1
Right	AZM98AC-TS R		
Up	AZM98AC-TS U		
Left	AZM98AC-TS L		

● Installation Screws: M8×90 P1.25 (4 screws included)



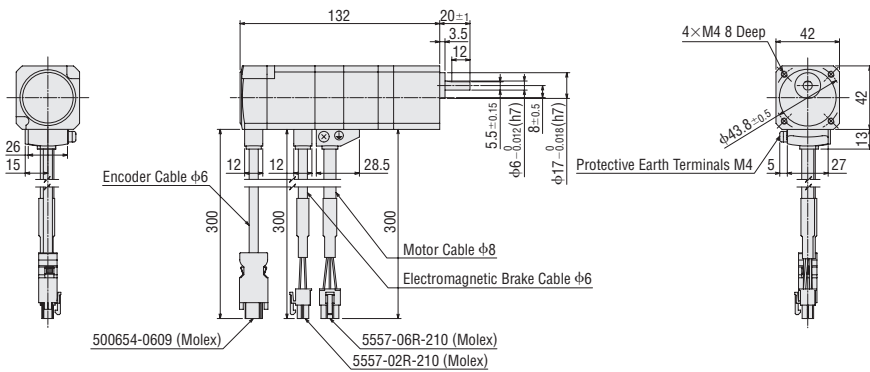
● Cable Outlet Direction



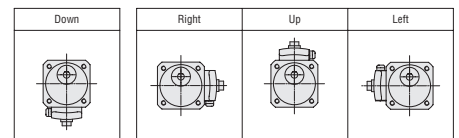
◇ TS Geared Type with Electromagnetic Brake

Frame Size 42 mm

Cable Outlet Direction	Product Name	Gear Ratio	Mass [kg]
Down	AZM46MC-TS 	3.6, 7.2, 10, 20, 30	0.76
Right	AZM46MC-TS R		
Up	AZM46MC-TS U		
Left	AZM46MC-TS L		



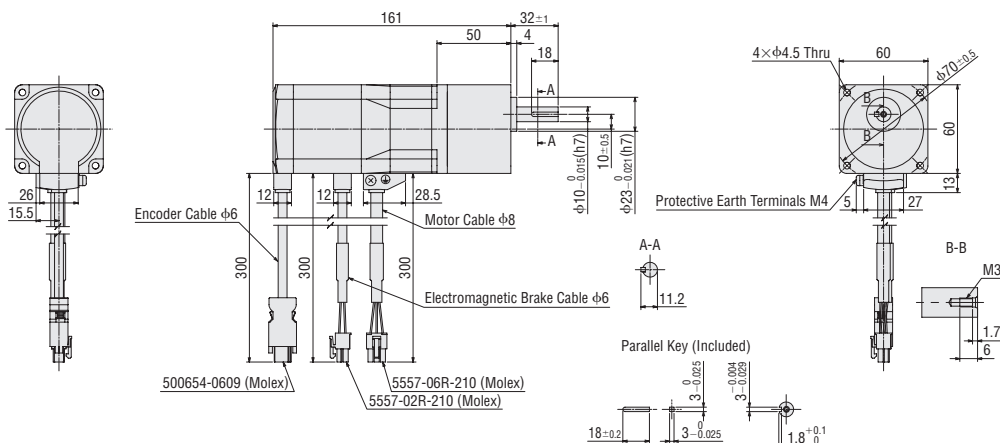
● Cable Outlet Direction



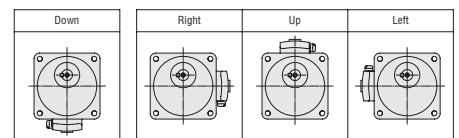
Frame Size 60 mm

Cable Outlet Direction	Product Name	Gear Ratio	Mass [kg]
Down	AZM66MC-TS 	3.6, 7.2, 10, 20, 30	1.7
Right	AZM66MC-TS R		
Up	AZM66MC-TS U		
Left	AZM66MC-TS L		

● Installation Screws: M4×60 P0.7 (4 screws included)



● Cable Outlet Direction

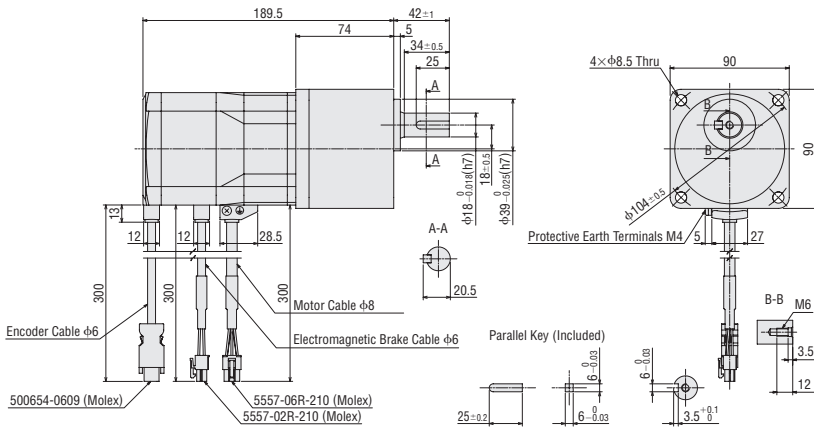


● A number indicating the gear ratio is specified where the box is located in the product name.

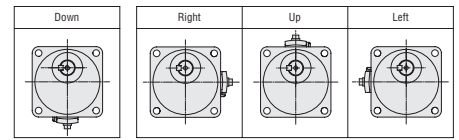
Frame Size 90 mm

Cable Outlet Direction	Product Name	Gear Ratio	Mass [kg]
Down	AZM98MC-TS 	3.6, 7.2, 10, 20, 30	3.7
Right	AZM98MC-TS R		
Up	AZM98MC-TS U		
Left	AZM98MC-TS L		

● Installation Screws: M8×90 P1.25 (4 screws included)



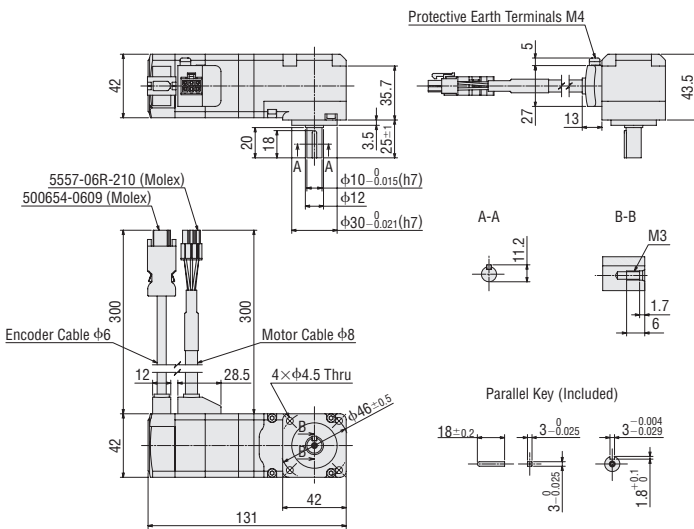
● Cable Outlet Direction



◇ **FC Geared Type**

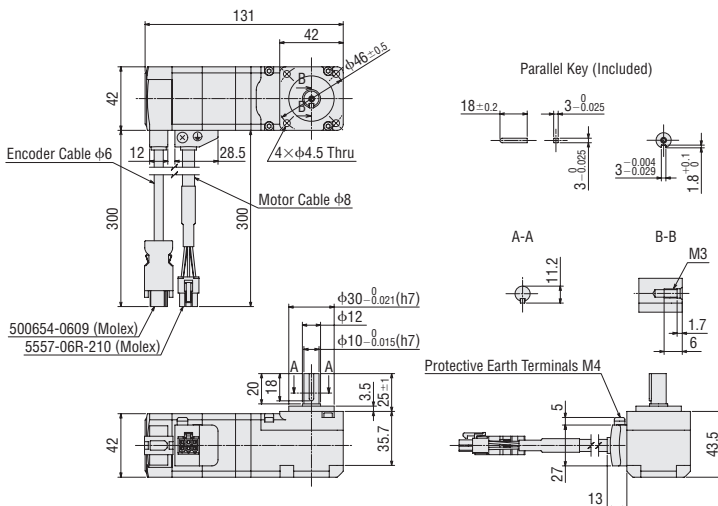
Frame Size 42 mm Cable Outlet Direction Up

Product Name	Gear Ratio	Mass [kg]
AZM46AC-FC UA	7.2, 10, 20, 30	0.79



Frame Size 42 mm Cable Outlet Direction Down

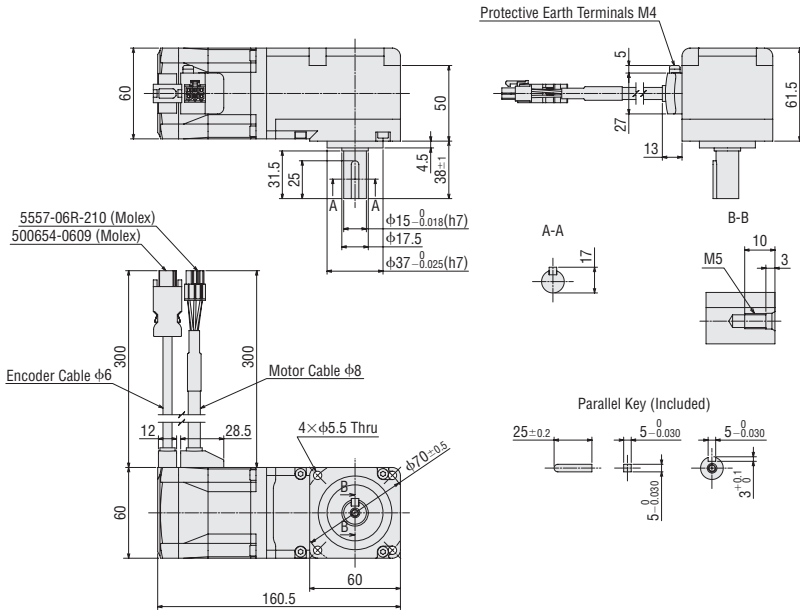
Product Name	Gear Ratio	Mass [kg]
AZM46AC-FC DA	7.2, 10, 20, 30	0.79



● A number indicating the gear ratio is specified where the box is located in the product name.

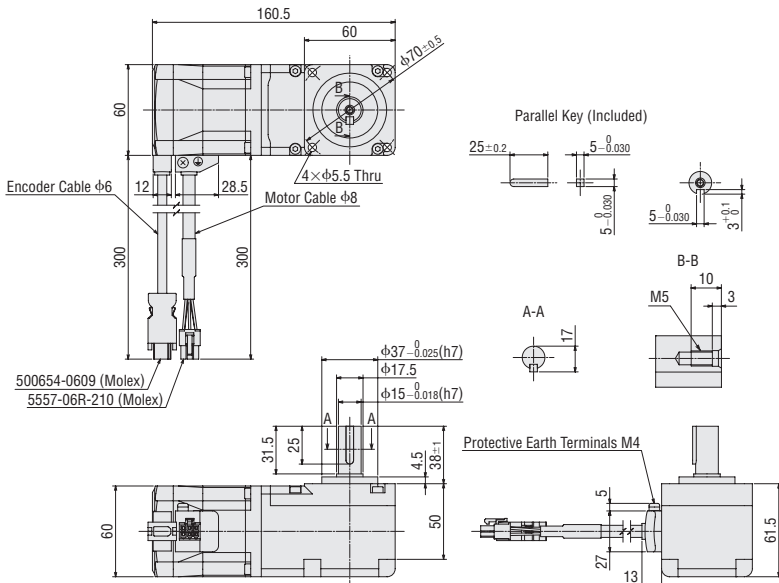
Frame Size 60 mm Cable Outlet Direction Up

Product Name	Gear Ratio	Mass [kg]
AZM66AC-FC■UA	7.2, 10, 20, 30	1.8



Frame Size 60 mm Cable Outlet Direction Down

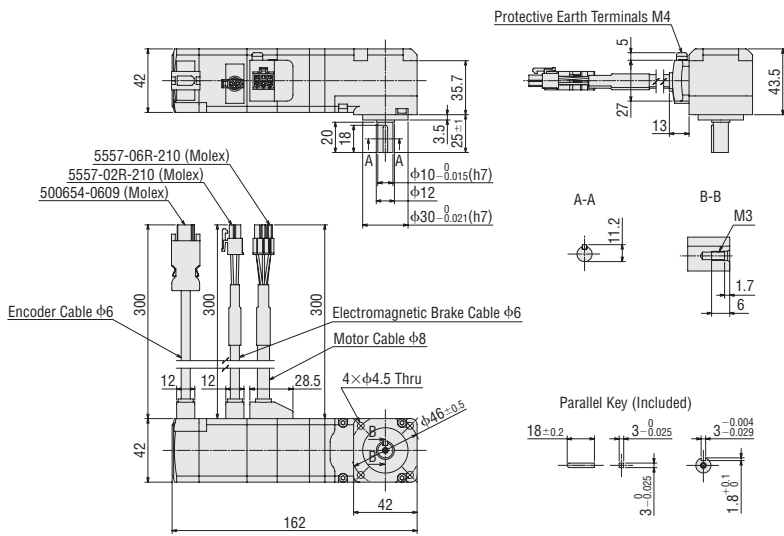
Product Name	Gear Ratio	Mass [kg]
AZM66AC-FC■DA	7.2, 10, 20, 30	1.8



● A number indicating the gear ratio is specified where the box ■ is located in the product name.

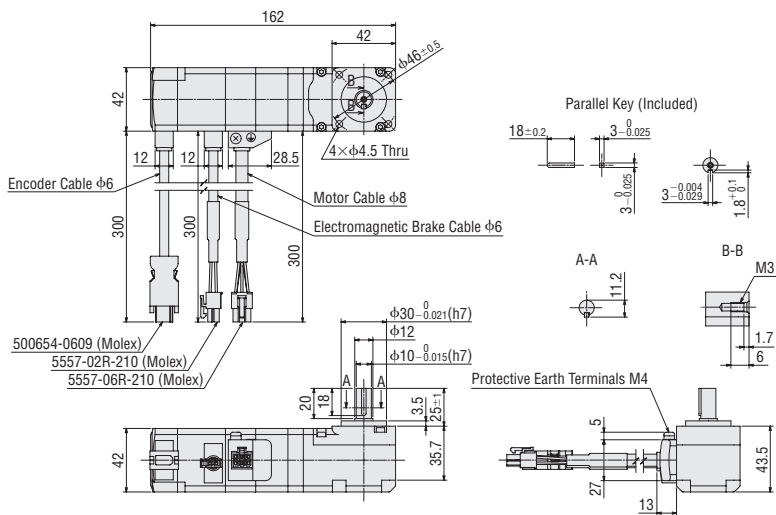
◇FC Geared Type with Electromagnetic Brake
 Frame Size 42 mm Cable Outlet Direction Up

Product Name	Gear Ratio	Mass [kg]
AZM46MC-FC■UA	7.2, 10, 20, 30	0.96



Frame Size 42 mm Cable Outlet Direction Down

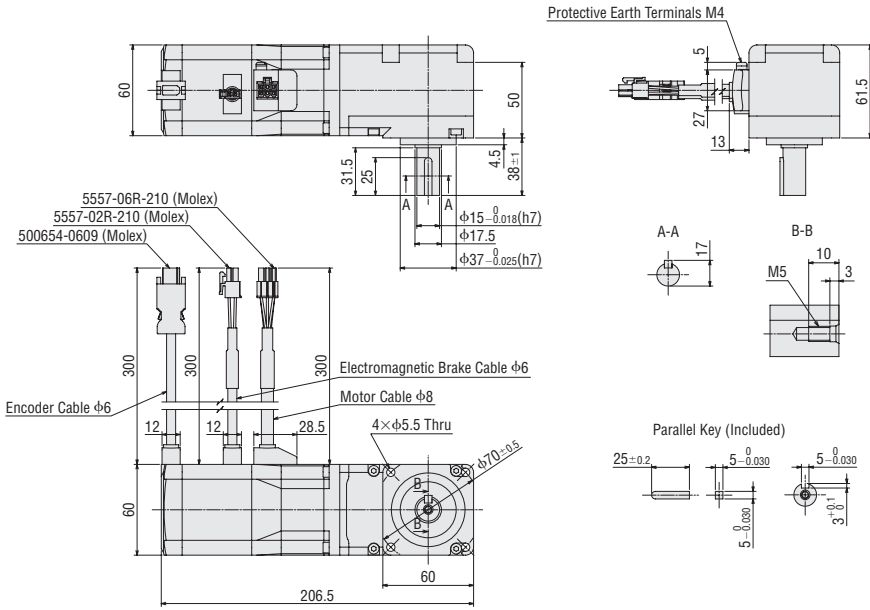
Product Name	Gear Ratio	Mass [kg]
AZM46MC-FC■DA	7.2, 10, 20, 30	0.96



● A number indicating the gear ratio is specified where the box ■ is located in the product name.

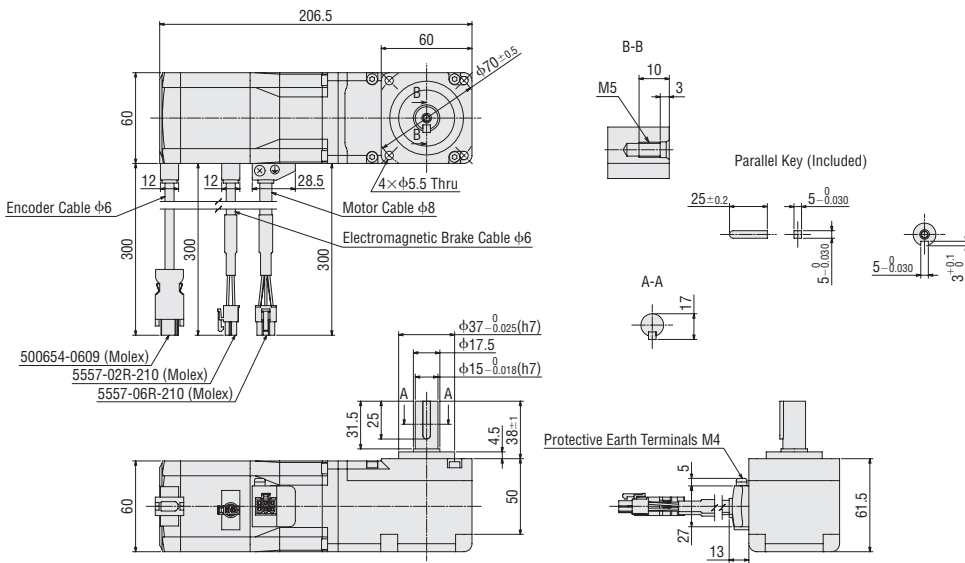
Frame Size 60 mm Cable Outlet Direction Up

Product Name	Gear Ratio	Mass [kg]
AZM66MC-FC ■ UA	7.2, 10, 20, 30	2.2



Frame Size 60 mm Cable Outlet Direction Down

Product Name	Gear Ratio	Mass [kg]
AZM66MC-FC ■ DA	7.2, 10, 20, 30	2.2

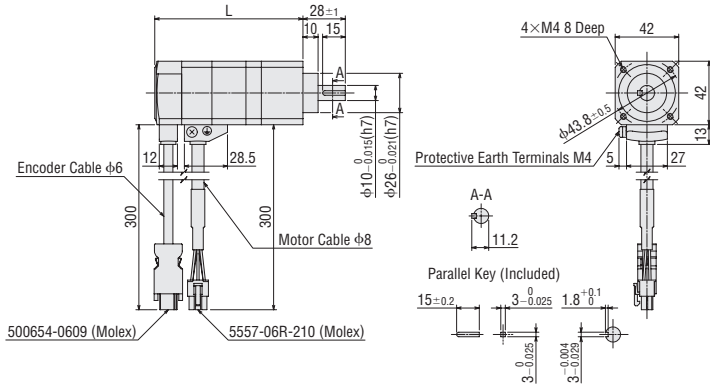


● A number indicating the gear ratio is specified where the box ■ is located in the product name.

◆PS Geared Type

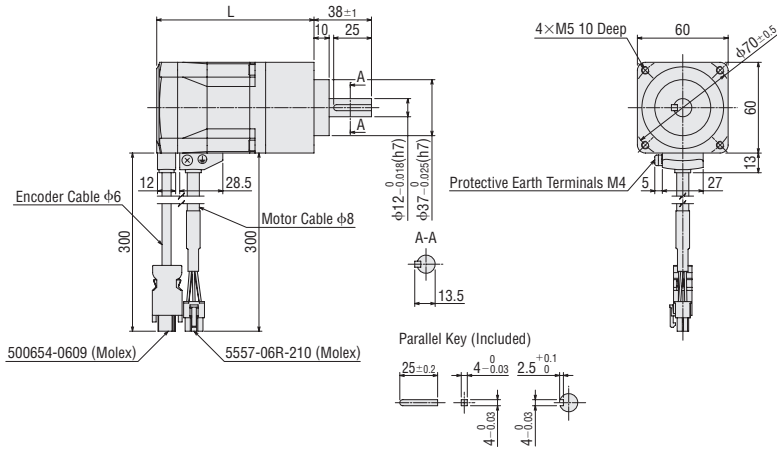
Frame Size 42 mm

Product Name	Gear Ratio	L	Mass [kg]
AZM46AC-PS ■	5, 7.2, 10	98	0.64
	25, 36, 50	121.5	0.79



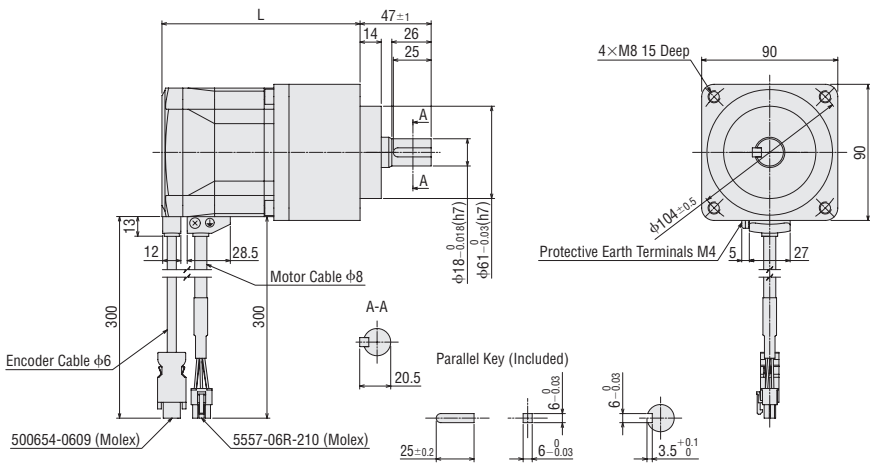
Frame Size 60 mm

Product Name	Gear Ratio	L	Mass [kg]
AZM66AC-PS ■	5, 7.2, 10	104	1.3
	25, 36, 50	124	1.6



Frame Size 90 mm

Product Name	Gear Ratio	L	Mass [kg]
AZM98AC-PS ■	5, 7.2, 10	131	3.3
	25, 36, 50	158.5	4.1

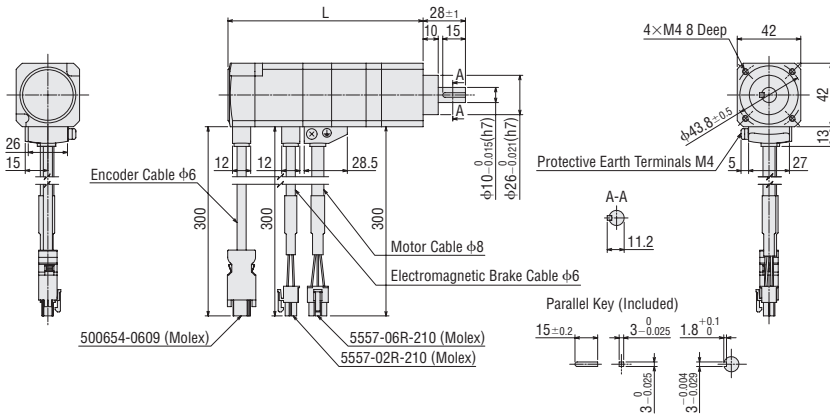


● A number indicating the gear ratio is specified where the box ■ is located in the product name.

◆PS Geared Type with Electromagnetic Brake

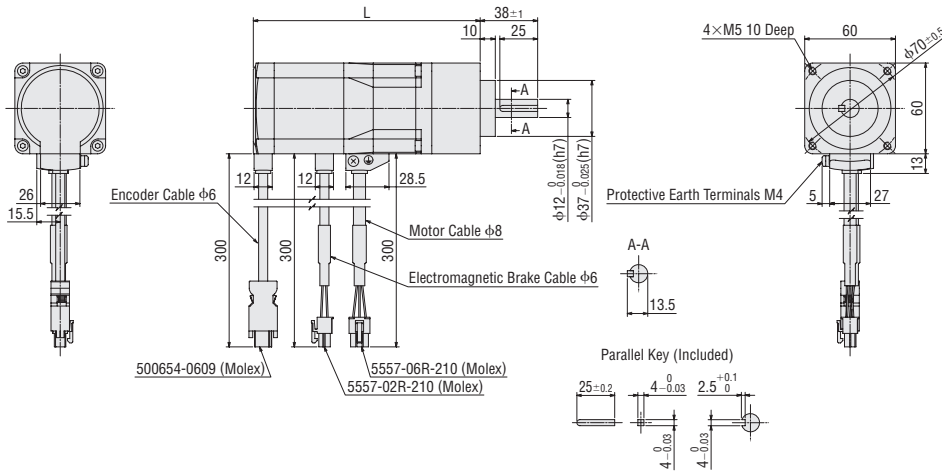
Frame Size 42 mm

Product Name	Gear Ratio	L	Mass [kg]
AZM46MC-PS ■	5, 7.2, 10	129	0.81
	25, 36, 50	152	0.96



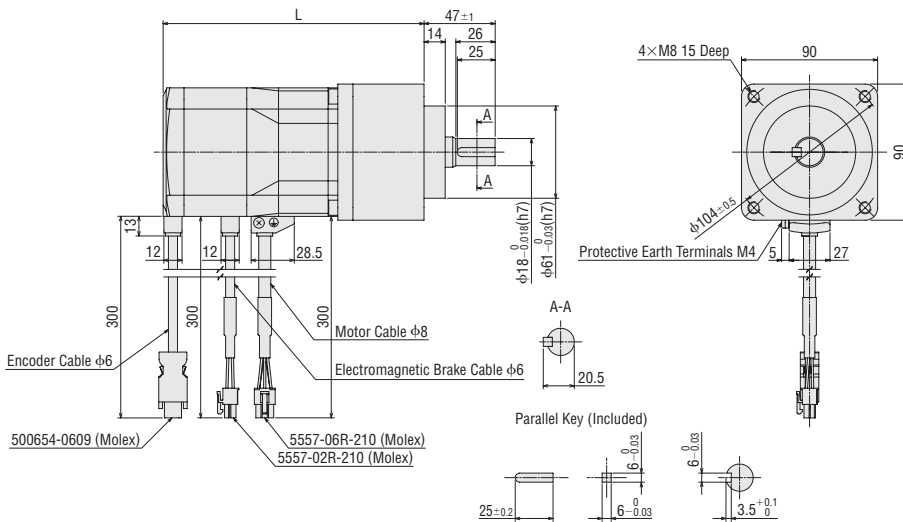
Frame Size 60 mm

Product Name	Gear Ratio	L	Mass [kg]
AZM66MC-PS ■	5, 7.2, 10	150	1.7
	25, 36, 50	170	2.0



Frame Size 90 mm

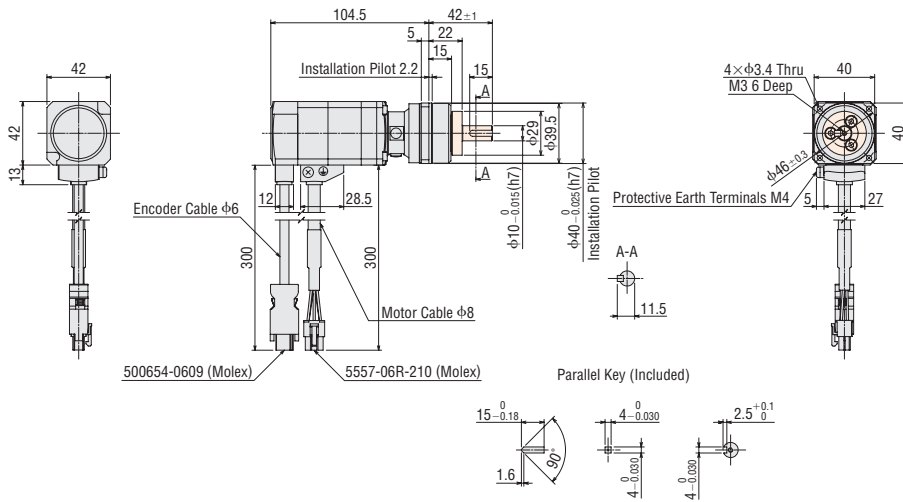
Product Name	Gear Ratio	L	Mass [kg]
AZM98MC-PS ■	5, 7.2, 10	172.5	3.9
	25, 36, 50	200	4.7



● A number indicating the gear ratio is specified where the box ■ is located in the product name.

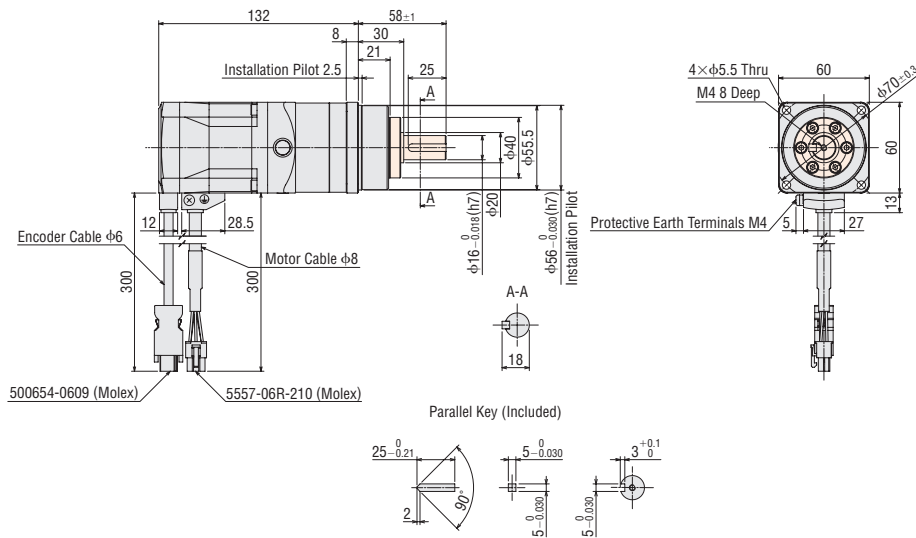
◆ **HPG** Geared Type Shaft Output Type
Frame Size 40 mm

Product Name	Gear Ratio	Mass [kg]
AZM46AC-HP 	5, 9	0.71



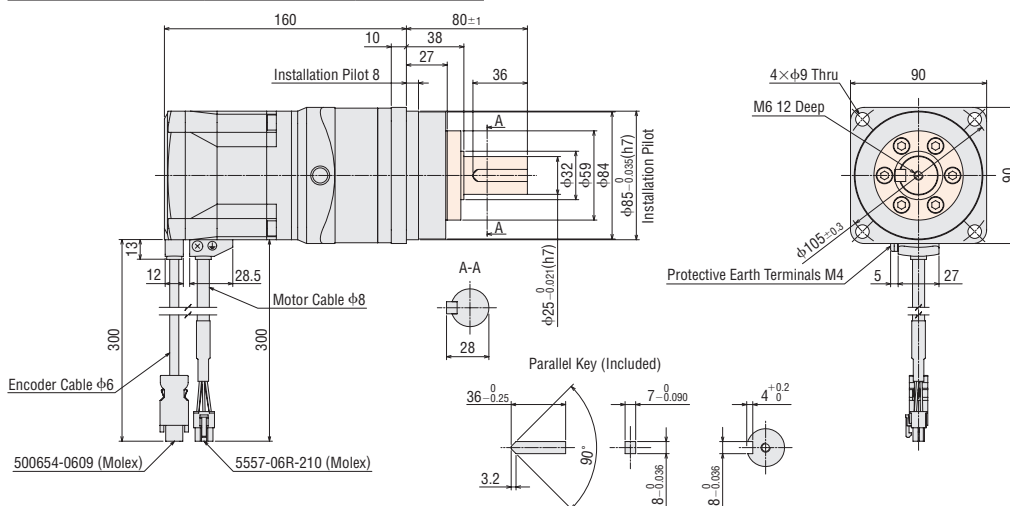
Frame Size 60 mm

Product Name	Gear Ratio	Mass [kg]
AZM66AC-HP 	5, 15	1.9



Frame Size 90 mm

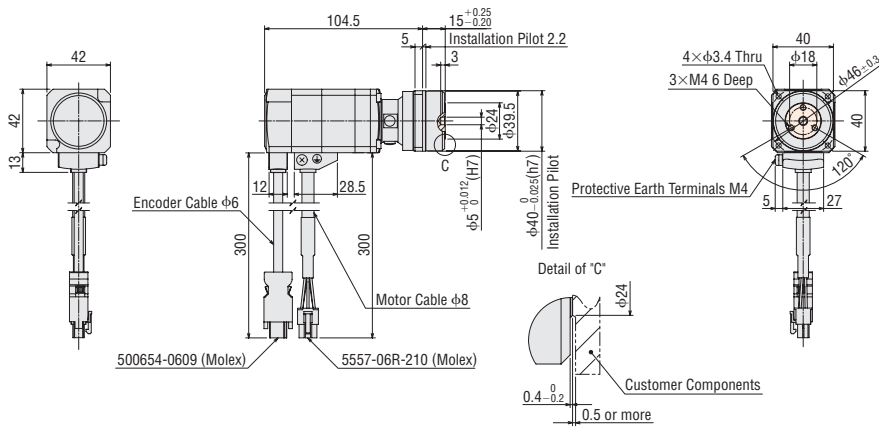
Product Name	Gear Ratio	Mass [kg]
AZM98AC-HP 	5, 15	4.8



- The areas in the dimensions are rotating parts.
- A number indicating the gear ratio is specified where the box is located in the product name.

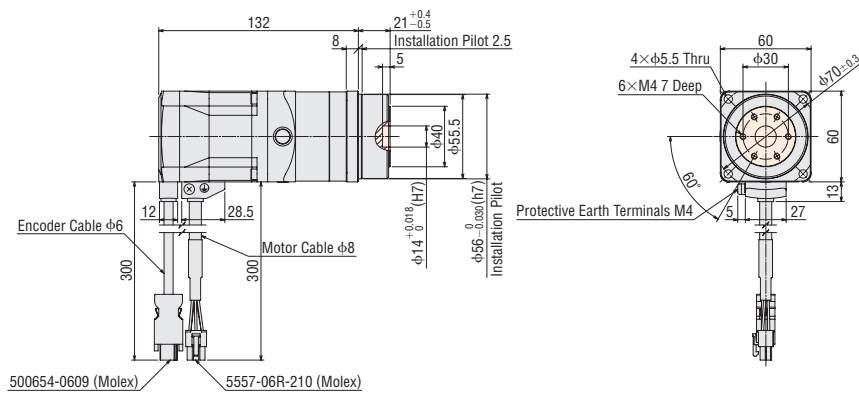
◇ **HPG Geared Type Flange Output Type**
Frame Size 40 mm

Product Name	Gear Ratio	Mass [kg]
AZM46AC-HP ■F	5, 9	0.66



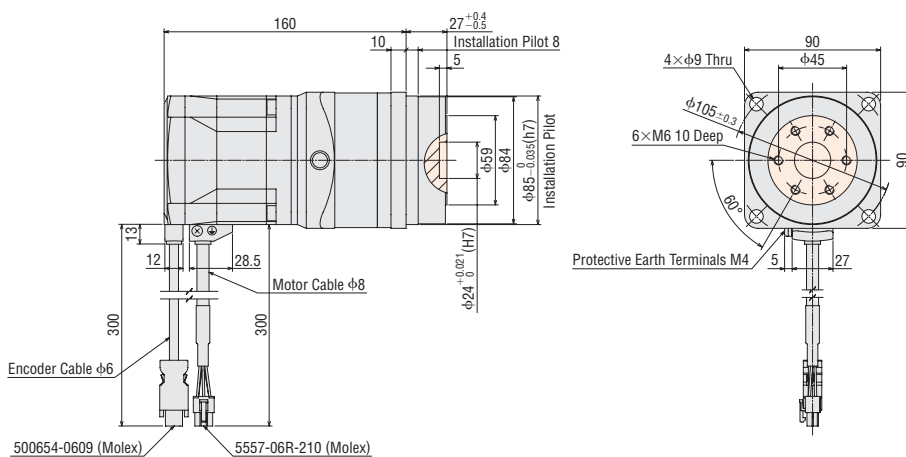
Frame Size 60 mm

Product Name	Gear Ratio	Mass [kg]
AZM66AC-HP ■F	5, 15	1.8



Frame Size 90 mm

Product Name	Gear Ratio	Mass [kg]
AZM98AC-HP ■F	5	4.5
	15	4.4

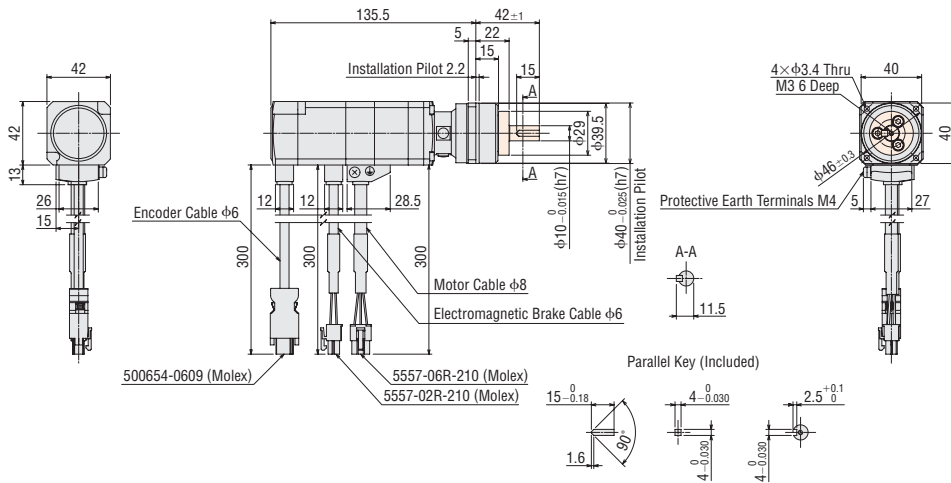


● The areas in the dimensions are rotating parts.

● A number indicating the gear ratio is specified where the box ■ is located in the product name.

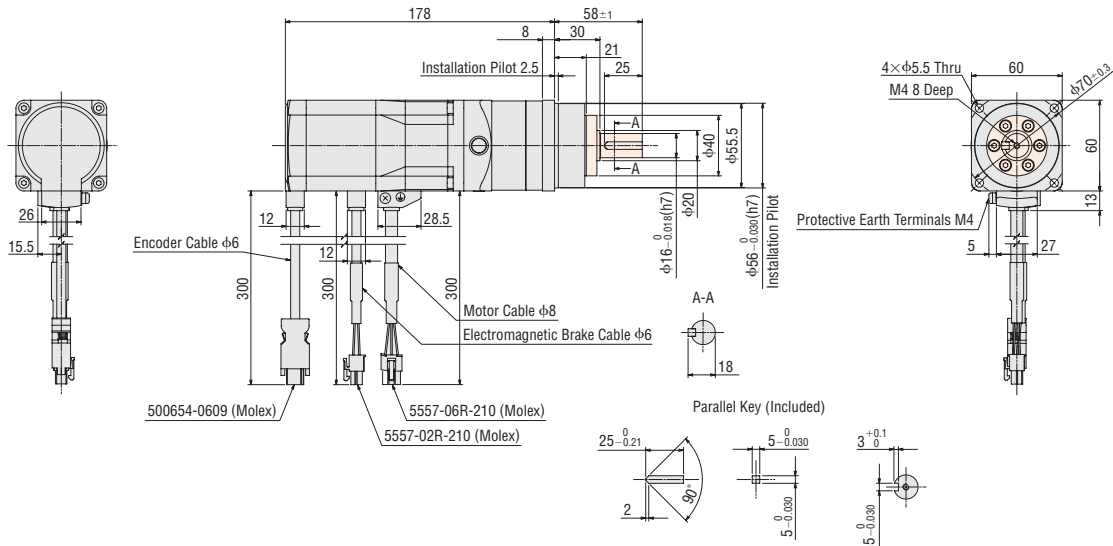
◇ **HPG** Geared Type with Electromagnetic Brake Shaft Output Type
 Frame Size 40 mm

Product Name	Gear Ratio	Mass [kg]
AZM46MC-HP ■	5, 9	0.88



Frame Size 60 mm

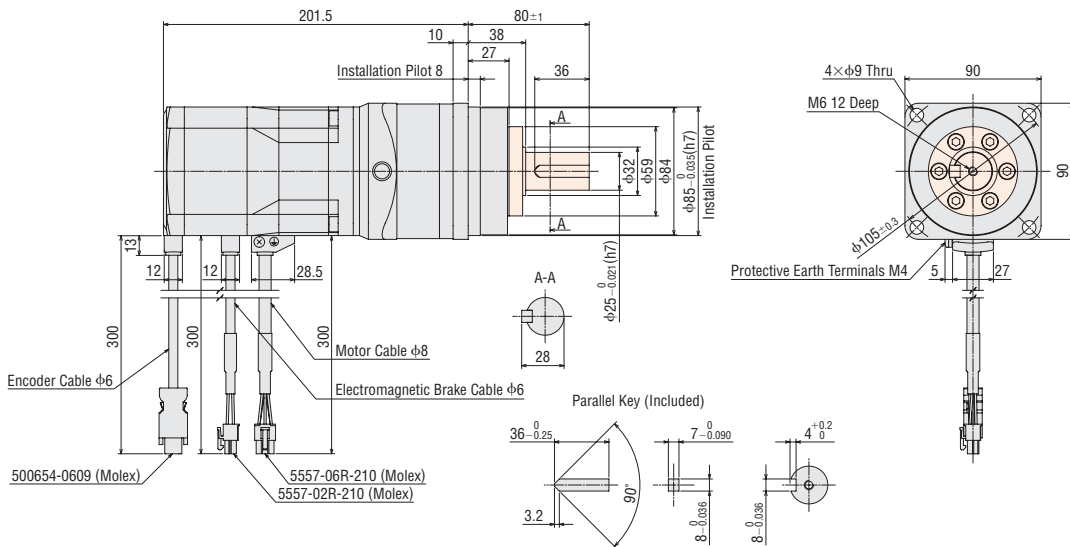
Product Name	Gear Ratio	Mass [kg]
AZM66MC-HP ■	5, 15	2.3



● The areas in the dimensions are rotating parts.
 ● A number indicating the gear ratio is specified where the box is located in the product name.

Frame Size 90 mm

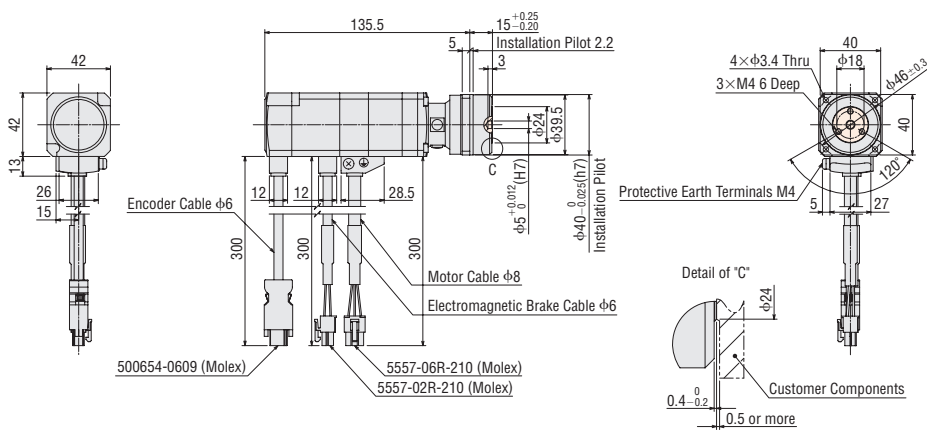
Product Name	Gear Ratio	Mass [kg]
AZM98MC-HP 	5, 15	5.4



◇ HPG Geared Type with Electromagnetic Brake Flange Output Type

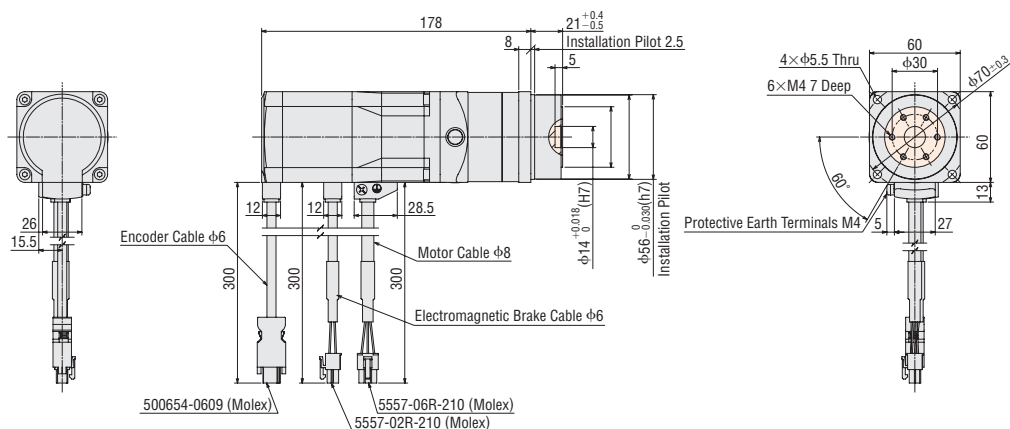
Frame Size 40 mm

Product Name	Gear Ratio	Mass [kg]
AZM46MC-HP F	5, 9	0.83



Frame Size 60 mm

Product Name	Gear Ratio	Mass [kg]
AZM66MC-HP F	5, 15	2.2

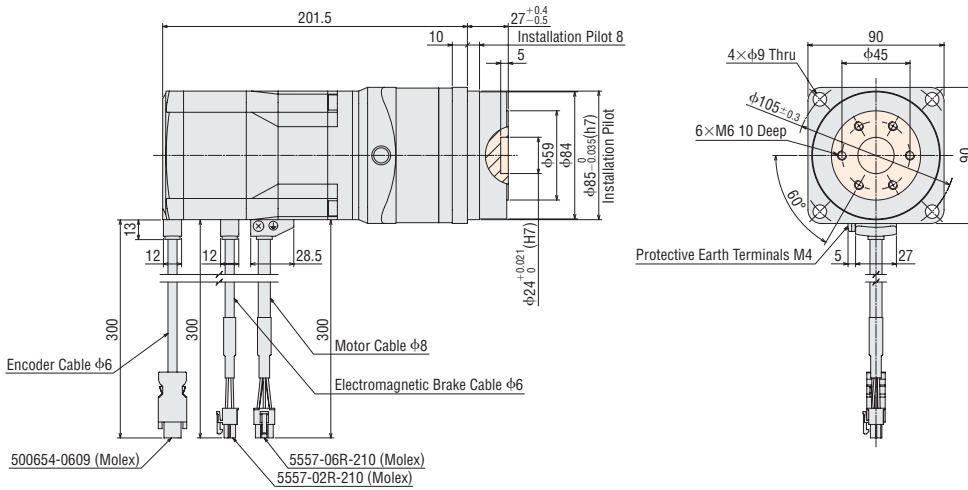


● The areas in the dimensions are rotating parts.

● A number indicating the gear ratio is specified where the box is located in the product name.

Frame Size 90 mm

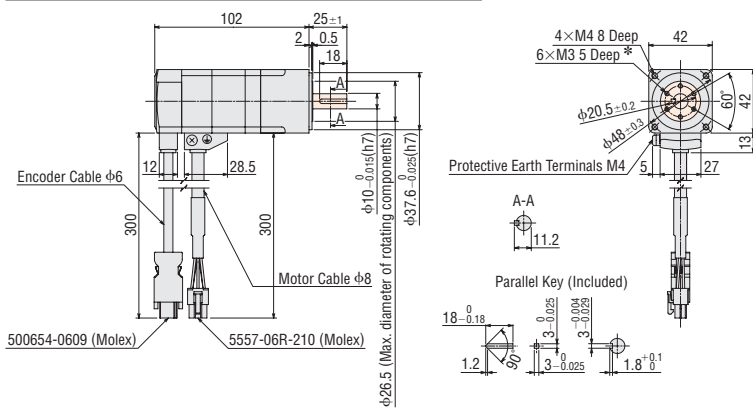
Product Name	Gear Ratio	Mass [kg]
AZM98MC-HP ■ F	5	5.1
	15	5



◇ Harmonic Geared Type

Frame Size 42 mm

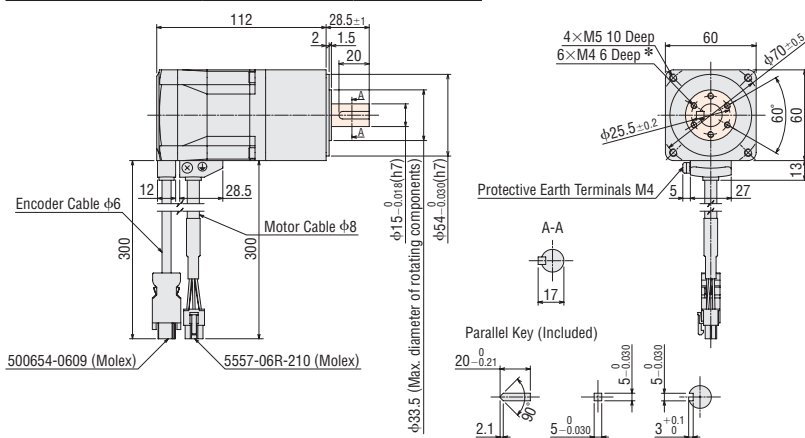
Product Name	Gear Ratio	Mass [kg]
AZM46AC-HS ■	50, 100	0.65



*The position of the output shaft relative to the screw holes on the rotating part cannot be specified. Adjust the position via the size of the screw holes on the load installation surface.

Frame Size 60 mm

Product Name	Gear Ratio	Mass [kg]
AZM66AC-HS ■	50, 100	1.4



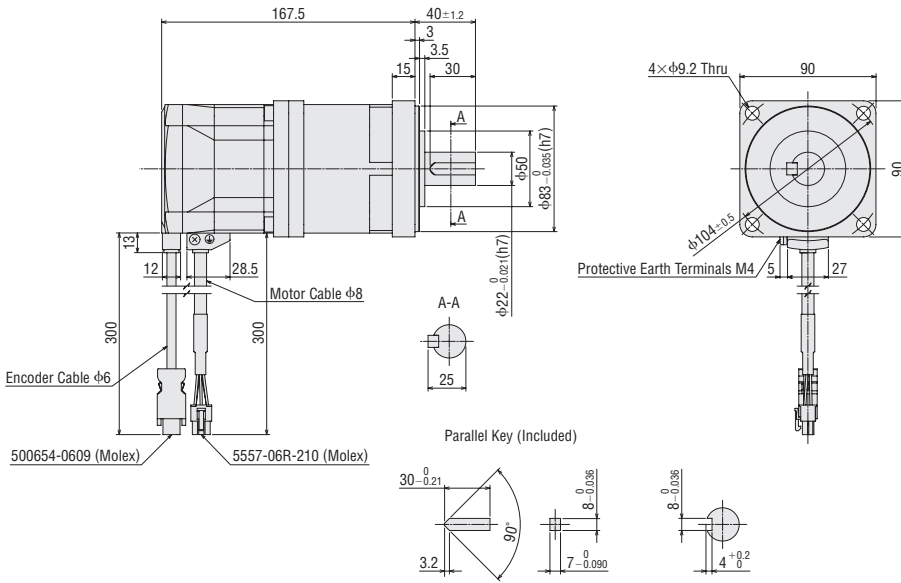
*The position of the output shaft relative to the screw holes on the rotating part cannot be specified. Adjust the position via the size of the screw holes on the load installation surface.

● The areas in the dimensions are rotating parts.

● A number indicating the gear ratio is specified where the box is located in the product name.

Frame Size 90 mm

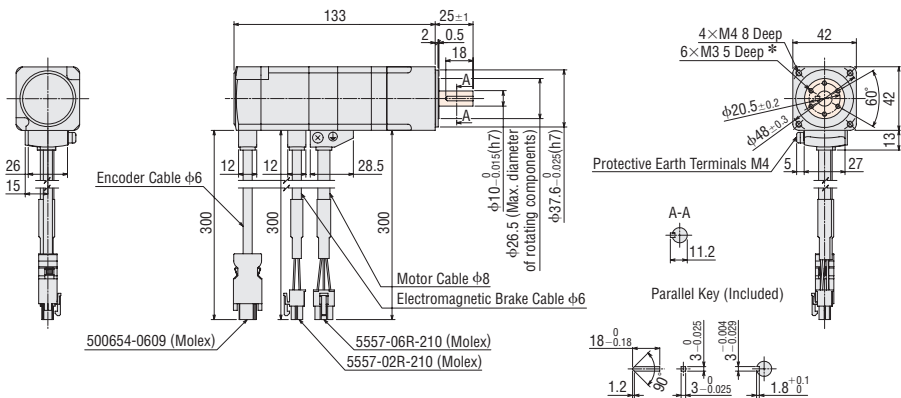
Product Name	Gear Ratio	Mass [kg]
AZM98AC-HS ■	50, 100	3.9



◇ Harmonic Geared Type with an Electromagnetic Brake

Frame Size 42 mm

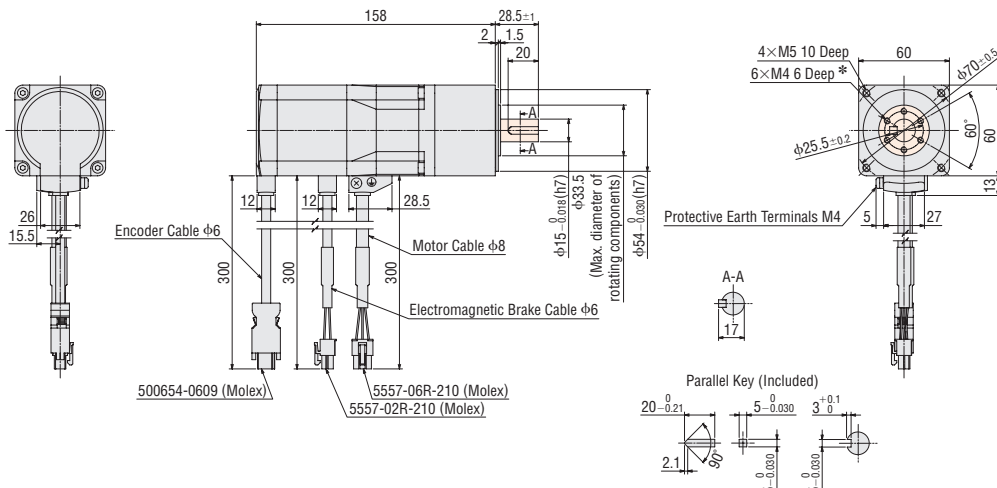
Product Name	Gear Ratio	Mass [kg]
AZM46MC-HS ■	50, 100	0.82



*The position of the output shaft relative to the screw holes on the rotating part cannot be specified. Adjust the position via the size of the screw holes on the load installation surface.

Frame Size 60 mm

Product Name	Gear Ratio	Mass [kg]
AZM66MC-HS ■	50, 100	1.8

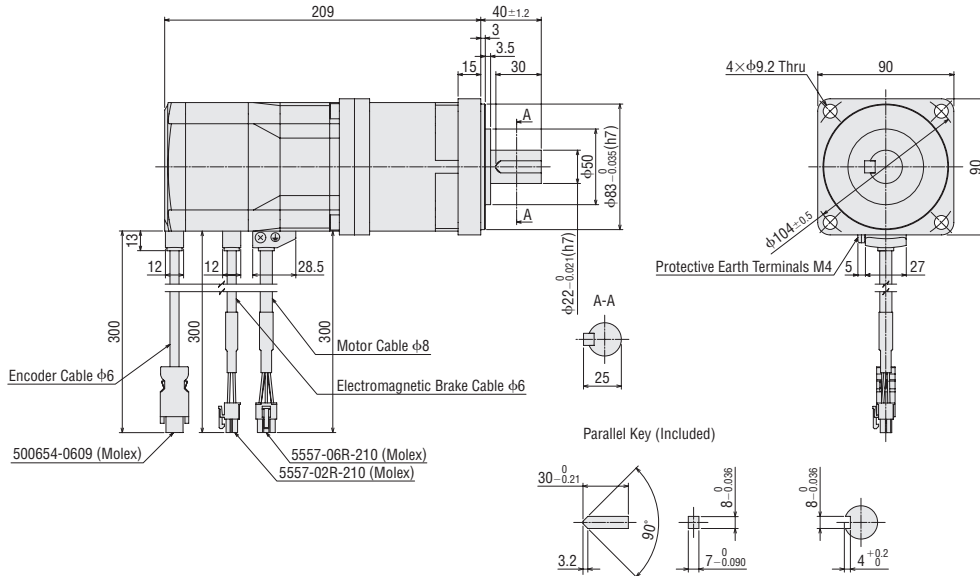


*The position of the output shaft relative to the screw holes on the rotating part cannot be specified. Adjust the position via the size of the screw holes on the load installation surface.

- The areas in the dimensions are rotating parts.
- A number indicating the gear ratio is specified where the box ■ is located in the product name.

Frame Size 90 mm

Product Name	Gear Ratio	Mass [kg]
AZM98MC-HS ■	50, 100	4.5

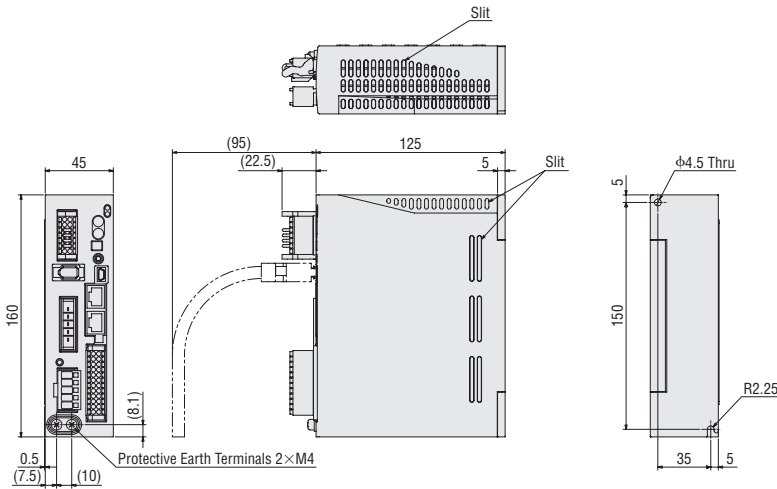


● A number indicating the gear ratio is specified where the box ■ is located in the product name.

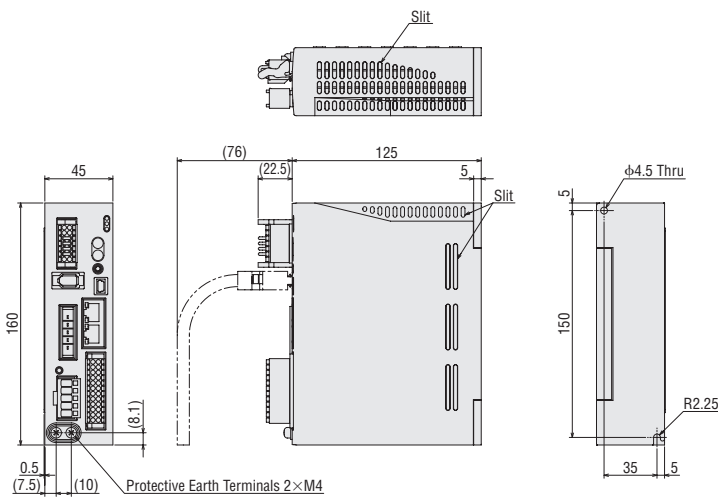
● Driver

Type	Product Name	Mass [kg]
Built-in Controller Type	AZD-AD, AZD-CD	0.65
Pulse Input Type with RS-485 Communication	AZD-AX, AZD-CX	
Pulse Input Type	AZD-A, AZD-C	

● The dimensions are for the built-in controller type. The dimensions and included items are the same for all drivers in the table.



Type	Product Name	Mass [kg]
EtherCAT Drive Profile compatible	AZD-AED, AZD-CED	0.68
EtherNet/IP compatible	AZD-AEP, AZD-CEP	
PROFINET compatible	AZD-APN, AZD-CPN	



● Included Items

24 VDC Power Supply Input/Electromagnetic Brake Connection/Regeneration Unit Thermal Input/Power Shut Down Signal I/O Connector (CN1)

Connector: DFMC1,5/7-ST-3,5-LR (PHOENIX CONTACT Inc.)

Connector for Main Power/Regeneration Unit (CN4)

Connector: 05JFAT-SAXGDK-H5.0 (J.S.T.MFG.CO.,LTD.)
Connector Wiring Lever

I/O Signals Connector (CN5)

Connector: DFMC1,5/12-ST-3,5 (PHOENIX CONTACT Inc.)

● Included Items

Control Power Supply Input/Electromagnetic Brake Connection/Regeneration Unit Thermal Input/Power Shut Down Signal I/O Connector (CN1)

Connector: DFMC1,5/7-ST-3,5-LR (PHOENIX CONTACT Inc.)

Connector for Main Power/Regeneration Unit (CN4)

Connector: 05JFAT-SAXGDK-H5.0 (J.S.T.MFG.CO.,LTD.)
Connector Wiring Lever

I/O Signals Connector (CN7)

Connector: DFMC1,5/12-ST-3,5 (PHOENIX CONTACT Inc.)

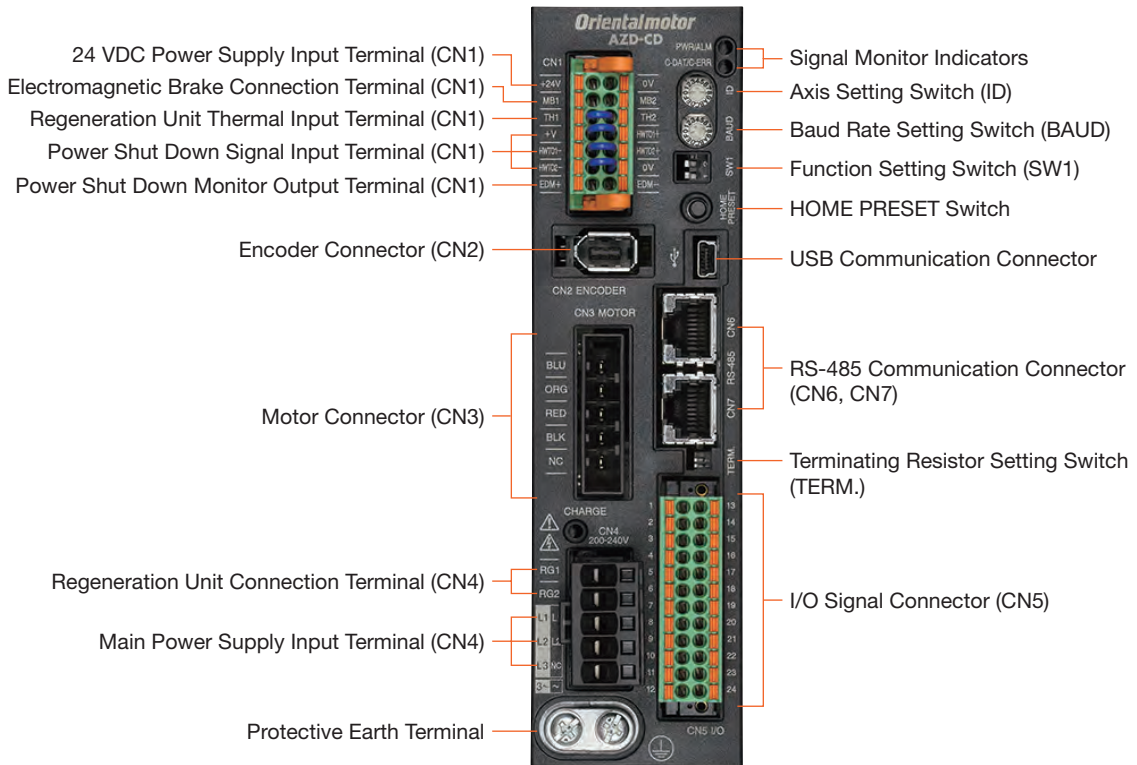
■ Connection and Operation

● Names of Driver Parts

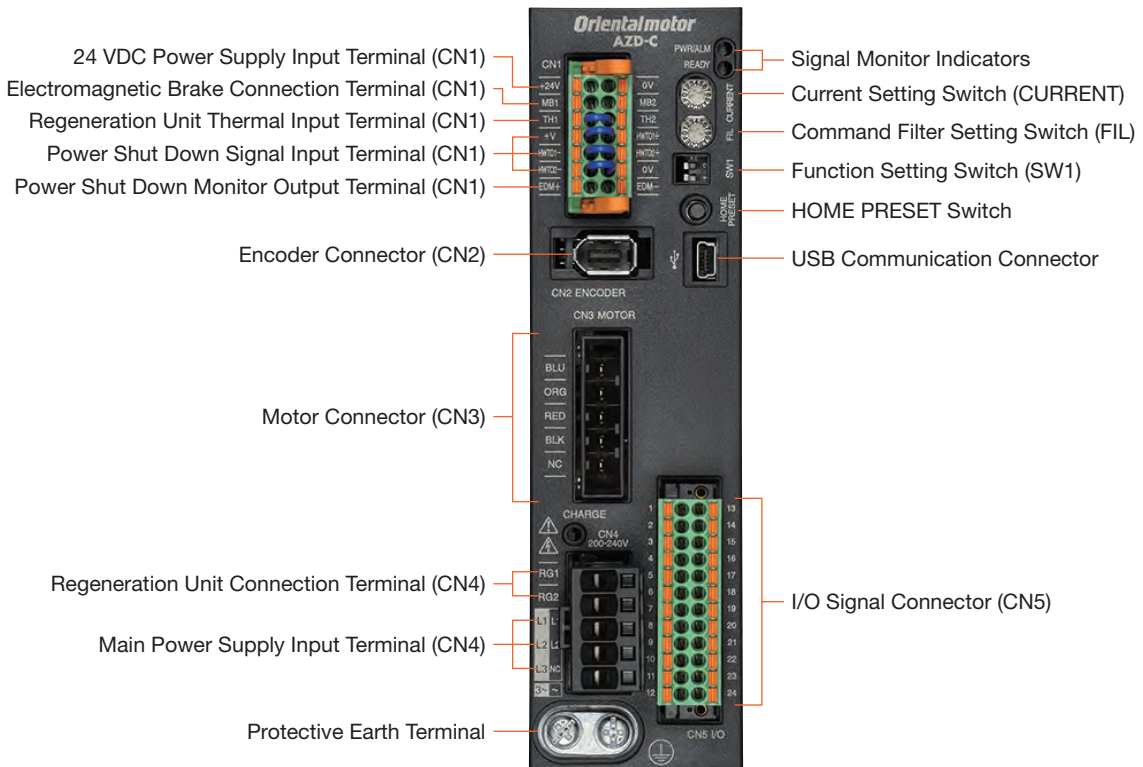
For details about each function, refer to the operating manual for the **AZ** Series. Either download operating manuals from the Oriental Motor website or contact your nearest Oriental Motor sales office.

◇ Built-in Controller Type, Pulse Input Type with RS-485 Communication

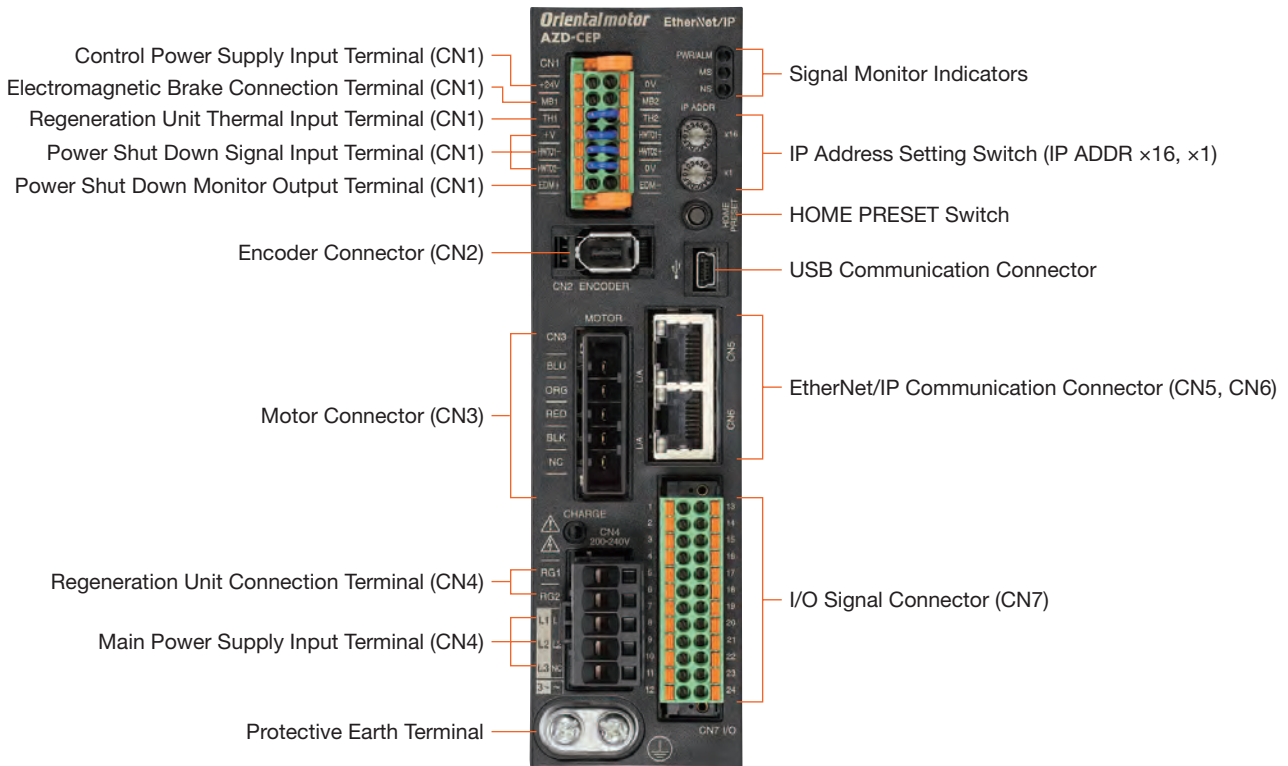
The photos show the built-in controller type.



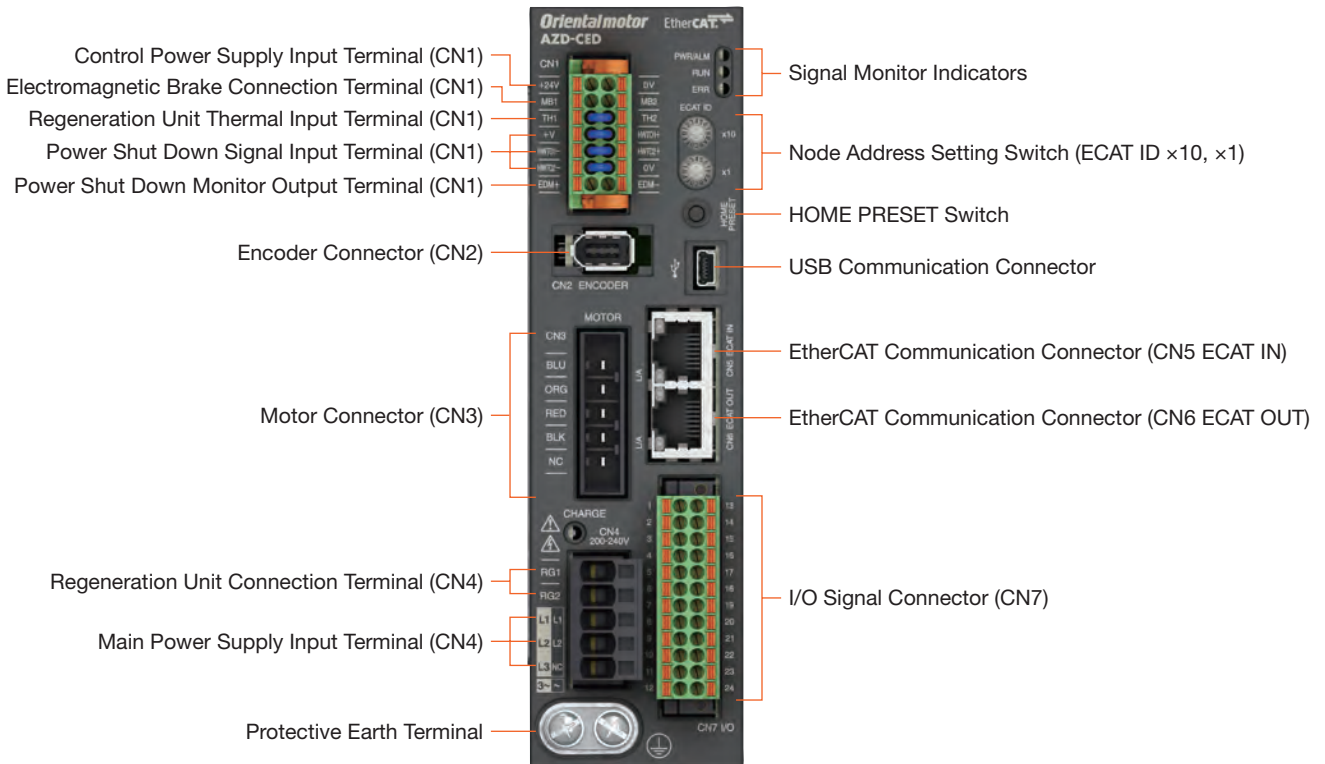
◇ Pulse Input Type



◇EtherNet/IP compatible

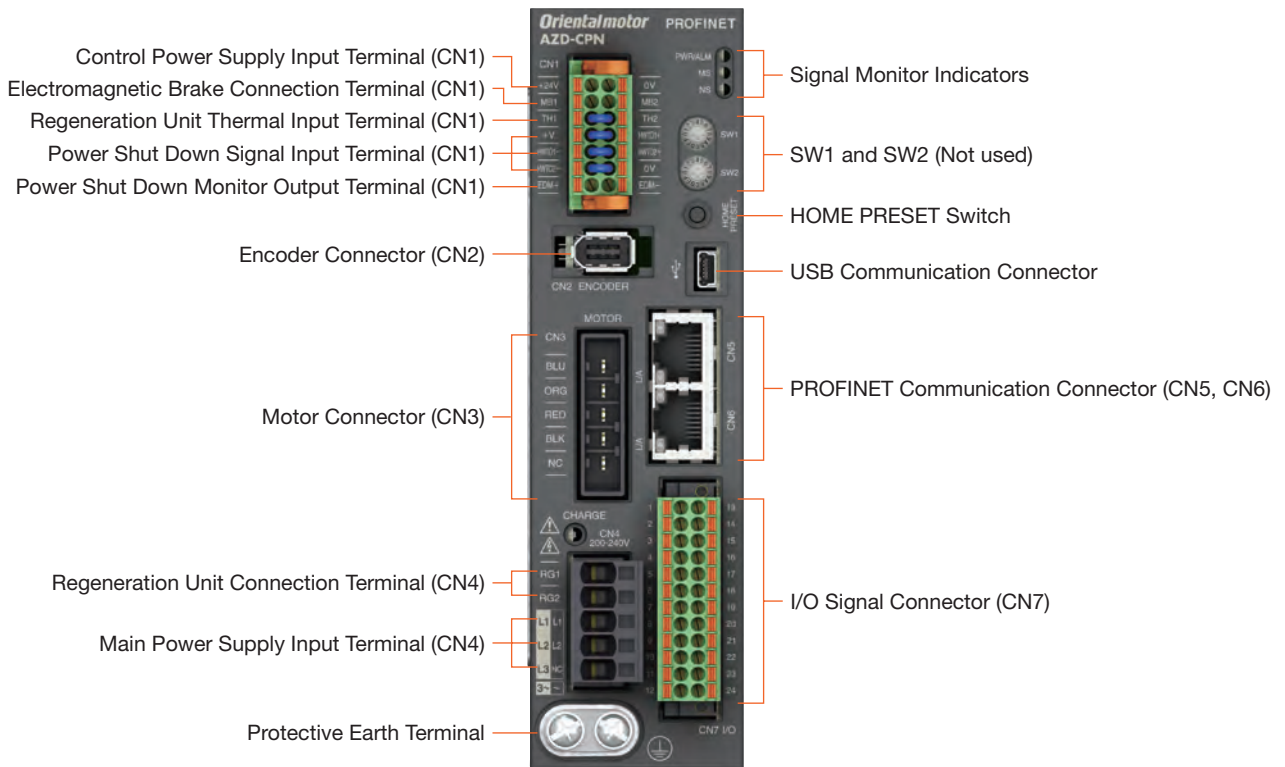


◇EtherCAT Drive Profile compatible



System Configuration
Product Line
Specifications and Characteristics
Dimensions
Connection and Operation
System Configuration
Product Line
Specifications and Characteristics
Dimensions
Connection and Operation
Cables/Peripheral Equipment

◇ PROFINET compatible



● USB Cable Connection

A USB cable is required for connecting the driver to the computer on which the support software **MEXE02** is installed.

Use a USB cable with the following specifications.

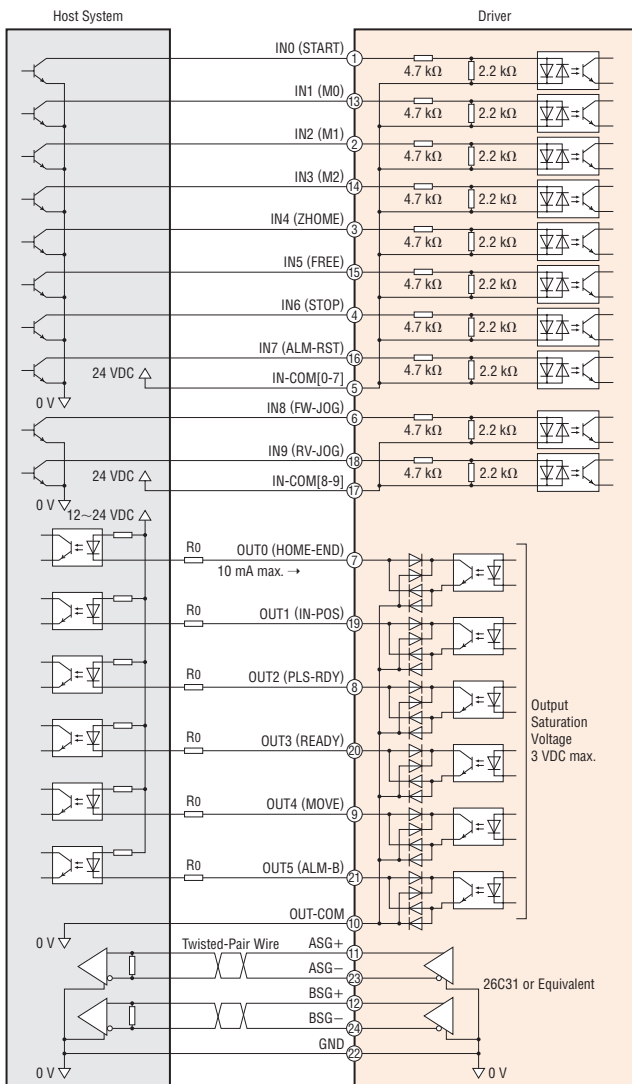
Specifications	USB 2.0 (Full Speed)
Cables	Length: 3 m or less Configuration: A to mini B

System Configuration	Product Line	Specifications and Characteristics	Dimensions	Connection and Operation	System Configuration	Product Line	Specifications and Characteristics	Dimensions	Connection and Operation	Cables/ Peripheral Equipment
AC Input					DC Input					

● Connection Diagrams

◇ Built-in Controller Type

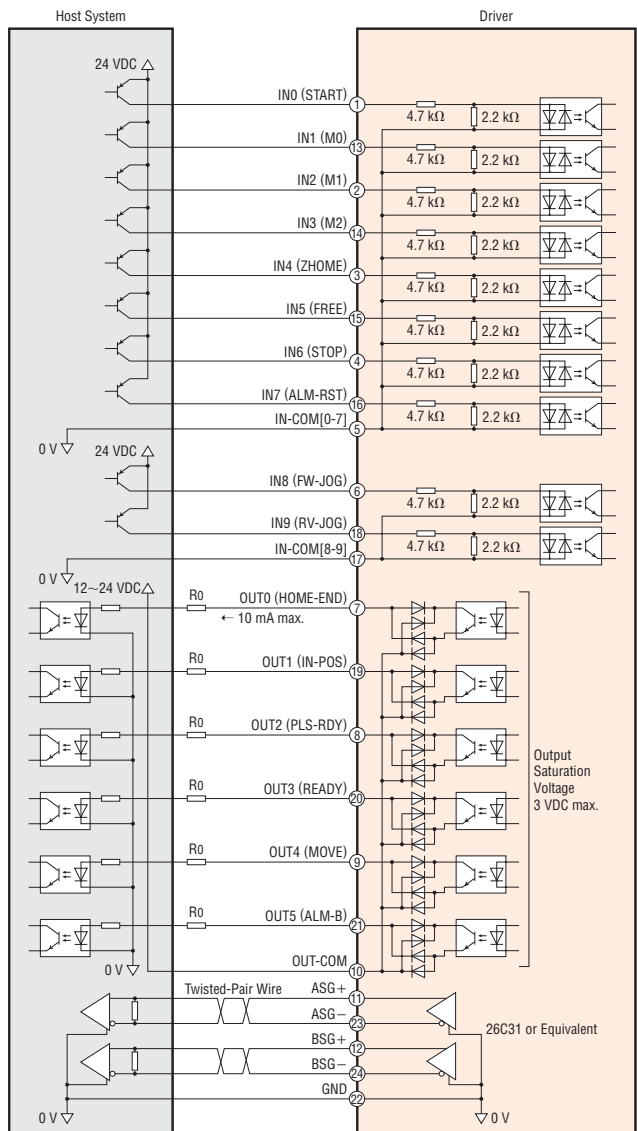
● Diagram for Connection with Current Sink Output Circuit



Note

- Use 24 VDC for the input signals.
- Use output signal at 12~24 VDC 10 mA or less. When the current value exceeds 10 mA, connect an external resistor R_o to reduce the current to 10 mA or less.
- Provide a distance of 200 mm or more between the signal lines and power lines (power supply lines, motor lines).
Do not run the signal lines in the same piping as power lines or bundle them with power lines.
- If noise generated by the motor cable or power supply cable causes a problem with the specific wiring or layout, shield the cable or use ferrite cores.

● Diagram for Connection with Current Source Output Circuit



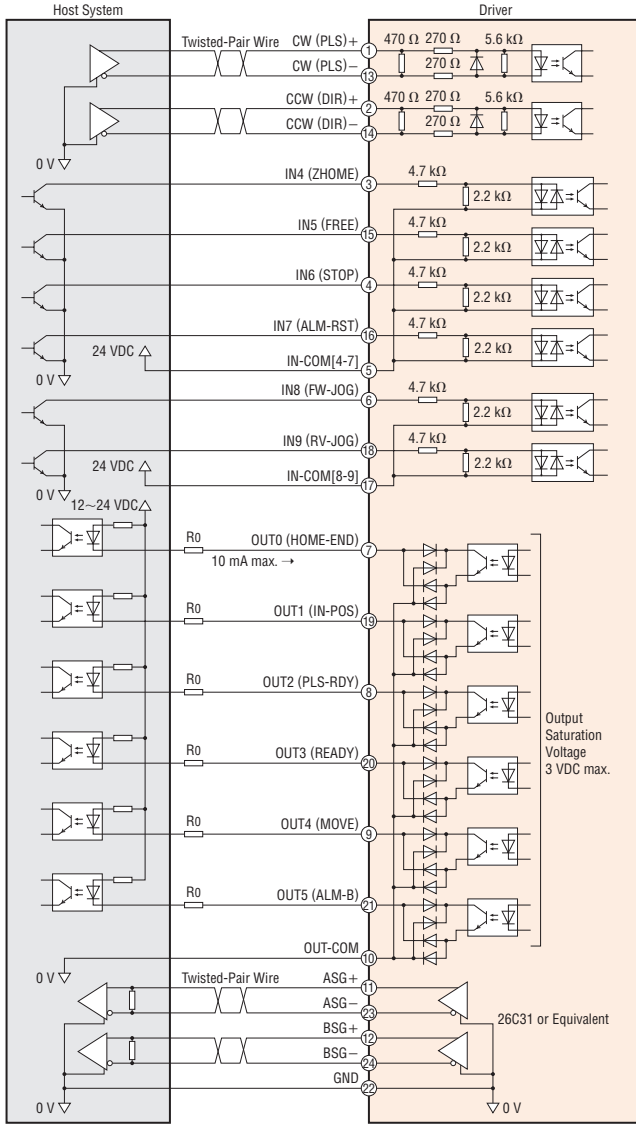
Note

- Use 24 VDC for the input signals.
- Use output signal at 12~24 VDC 10 mA or less. When the current value exceeds 10 mA, connect an external resistor R_o to reduce the current to 10 mA or less.
- Provide a distance of 200 mm or more between the signal lines and power lines (power supply lines, motor lines).
Do not run the signal lines in the same piping as power lines or bundle them with power lines.
- If noise generated by the motor cable or power supply cable causes a problem with the specific wiring or layout, shield the cable or use ferrite cores.

◇ Pulse Input Type with RS-485 Communication, Pulse Input Type

● Diagram for Connection with Current Sink Output Circuit

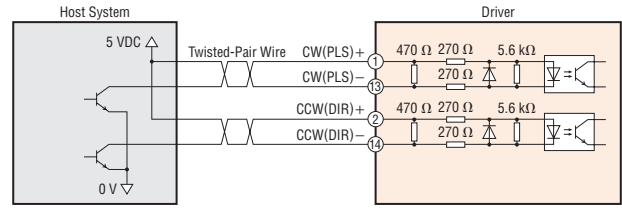
When the pulse input is the line driver



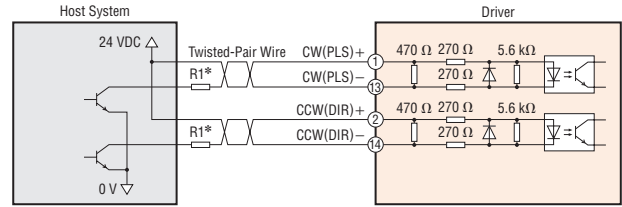
- Note**
- Use 24 VDC for the input signals.
 - Use output signal at 12~24 VDC 10 mA or less. When the current value exceeds 10 mA, connect an external resistor R_0 to reduce the current to 10 mA or less.
 - Provide a distance of 200 mm or more between the signal lines and power lines (power supply lines, motor lines).
Do not run the signal lines in the same piping as power lines or bundle them with power lines.
 - If noise generated by the motor cable or power supply cable causes a problem with the specific wiring or layout, shield the cable or use ferrite cores.

When the pulse input is open collector

● When the pulse input signal is 5 VDC



● When the pulse input signal is 24 VDC



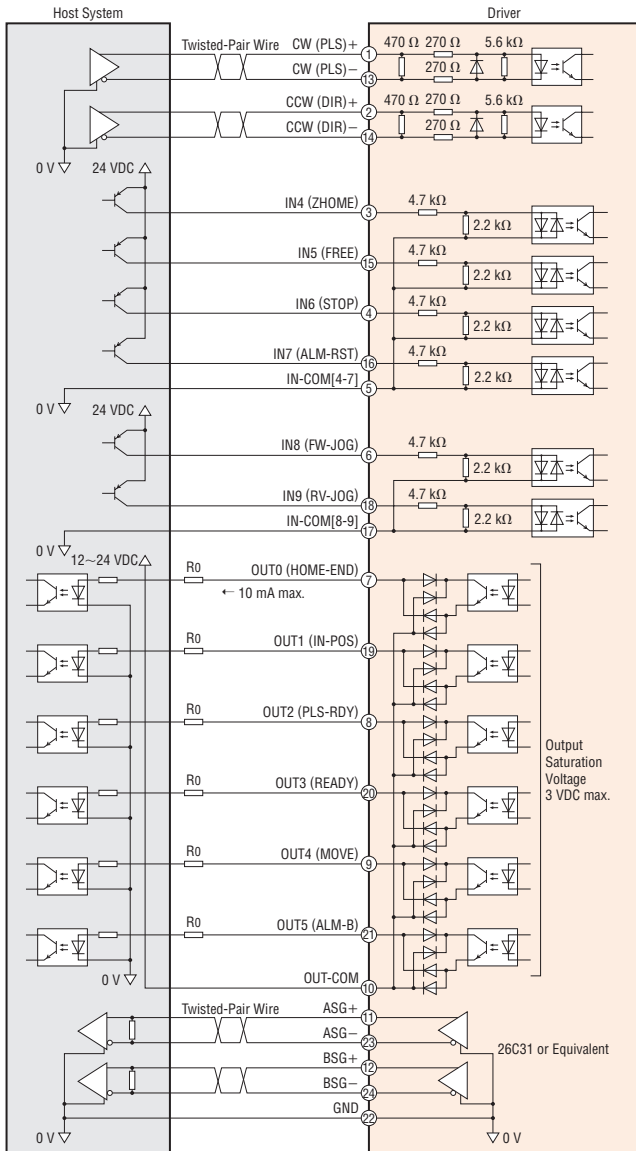
* R_1 : 1.2 kΩ~2.2 kΩ 0.5 W min.

Note

- Use 5~24 VDC for CW (PLS) input and CCW (DIR) input. If used at 24 VDC, connect external resistor R_1 (1.2 kΩ~2.2 kΩ 0.5 W min.)
- If used at 5 VDC, connect the pulse input signal directly without connecting an external resistor.

System Configuration
Product Line
Specifications and Characteristics
AC Input
Dimensions
Connection and Operation
System Configuration
Product Line
Specifications and Characteristics
DC Input
Dimensions
Connection and Operation
Cables/Peripheral Equipment

•Diagram for Connection with Current Source Output Circuit
When the pulse input is the line driver

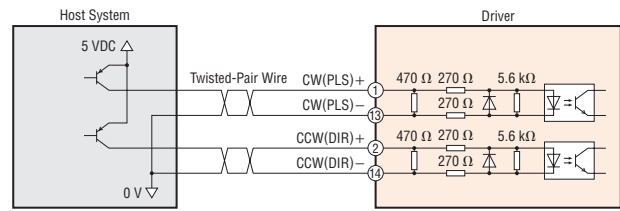


Note

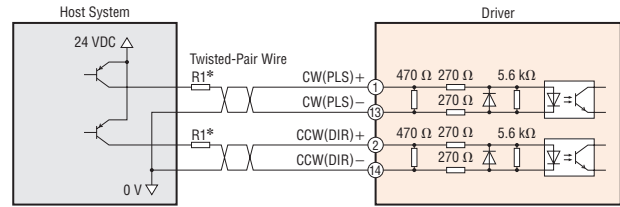
- Use 24 VDC for the input signals.
- Use output signal at 12~24 VDC 10 mA or less. When the current value exceeds 10 mA, connect an external resistor R_0 to reduce the current to 10 mA or less.
- Provide a distance of 200 mm or more between the signal lines and power lines (power supply lines, motor lines).
Do not run the signal lines in the same piping as power lines or bundle them with power lines.
- If noise generated by the motor cable or power supply cable causes a problem with the specific wiring or layout, shield the cable or use ferrite cores.

When the pulse input is open collector

•When the pulse input signal is 5 VDC



•When the pulse input signal is 24 VDC



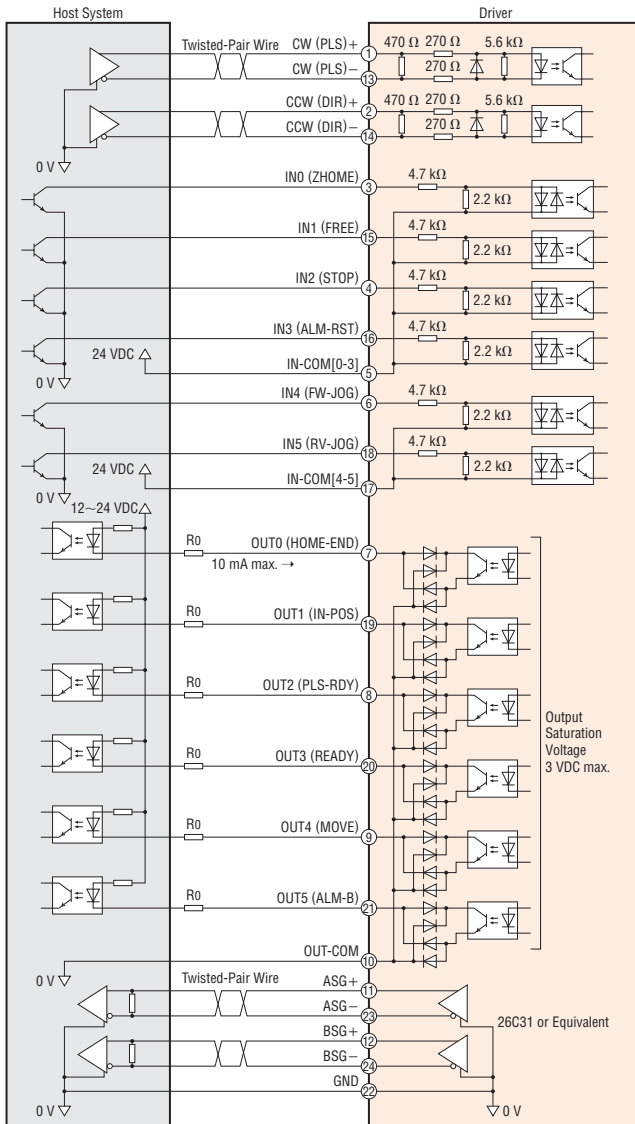
* R_1 : 1.2 k Ω ~2.2 k Ω 0.5 W min.

Note

- Use 5~24 VDC for CW (PLS) input and CCW (DIR) input. If used at 24 VDC, connect external resistor R_1 (1.2 k Ω ~2.2 k Ω 0.5 W min.)
- If used at 5 VDC, connect the pulse input signal directly without connecting an external resistor.

◇ EtherNet/IP compatible

● Diagram for Connection with Current Sink Output Circuit
When the pulse input is the line driver

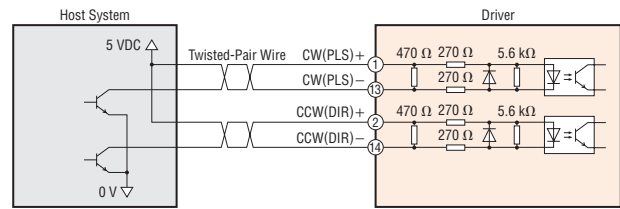


Note

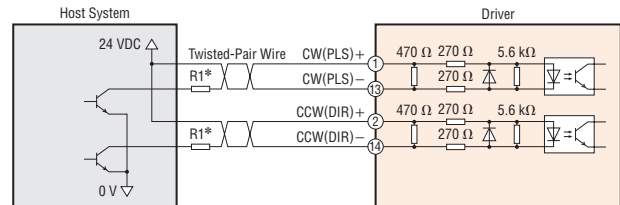
- Use 24 VDC for the input signals.
- Use output signal at 12~24 VDC 10 mA or less. When the current value exceeds 10 mA, connect an external resistor R_0 to reduce the current to 10 mA or less.
- Provide a distance of 200 mm or more between the signal lines and power lines (power supply lines, motor lines).
Do not run the signal lines in the same piping as power lines or bundle them with power lines.
- If noise generated by the motor cable or power supply cable causes a problem with the specific wiring or layout, shield the cable or use ferrite cores.

When the pulse input is open collector

● When the pulse input signal is 5 VDC



● When the pulse input signal is 24 VDC

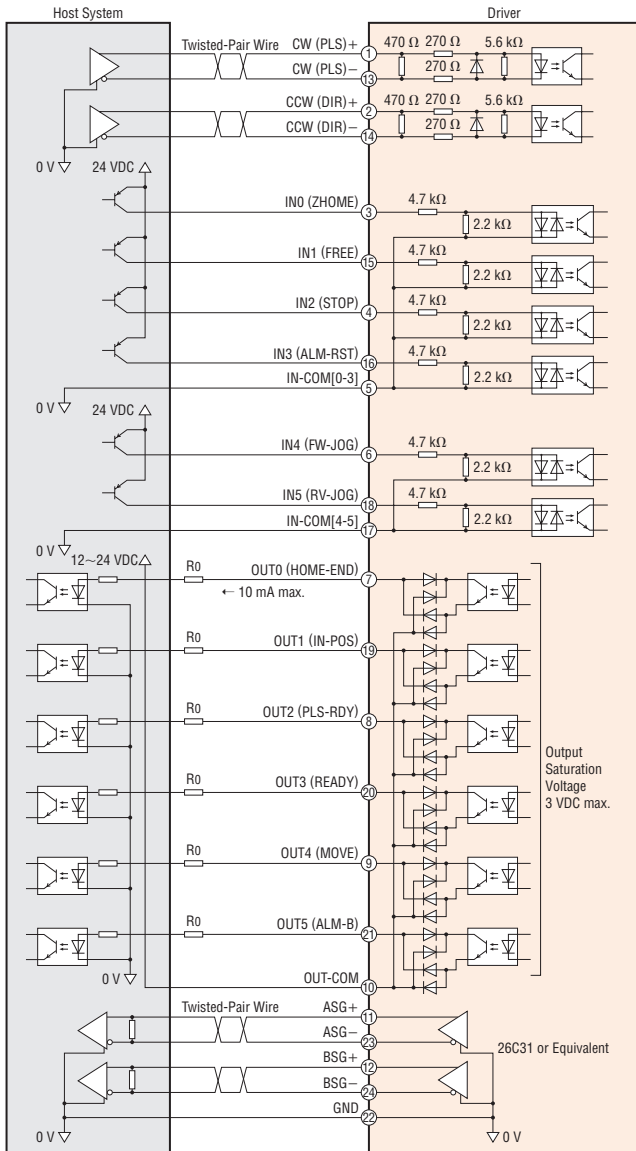


* R_1 : 1.2 k Ω ~2.2 k Ω 0.5 W min.

Note

- Use 5~24 VDC for CW (PLS) input and CCW (DIR) input. If used at 24 VDC, connect external resistor R_1 (1.2 k Ω ~2.2 k Ω 0.5 W min.)
- If used at 5 VDC, connect the pulse input signal directly without connecting an external resistor.

•Diagram for Connection with Current Source Output Circuit
When the pulse input is the line driver

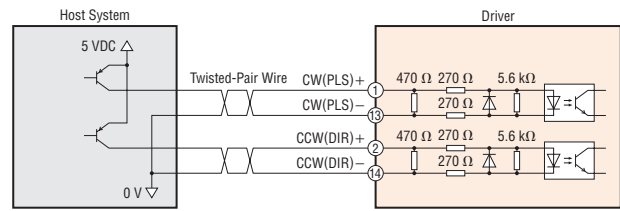


Note

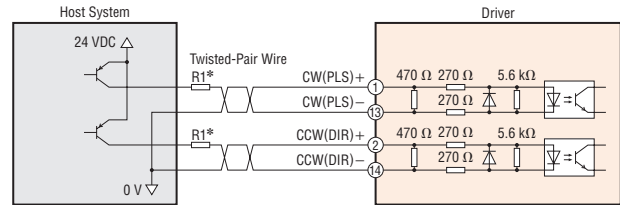
- Use 24 VDC for the input signals.
- Use output signal at 12~24 VDC 10 mA or less. When the current value exceeds 10 mA, connect an external resistor R_0 to reduce the current to 10 mA or less.
- Provide a distance of 200 mm or more between the signal lines and power lines (power supply lines, motor lines). Do not run the signal lines in the same piping as power lines or bundle them with power lines.
- If noise generated by the motor cable or power supply cable causes a problem with the specific wiring or layout, shield the cable or use ferrite cores.

When the pulse input is open collector

•When the pulse input signal is 5 VDC



•When the pulse input signal is 24 VDC



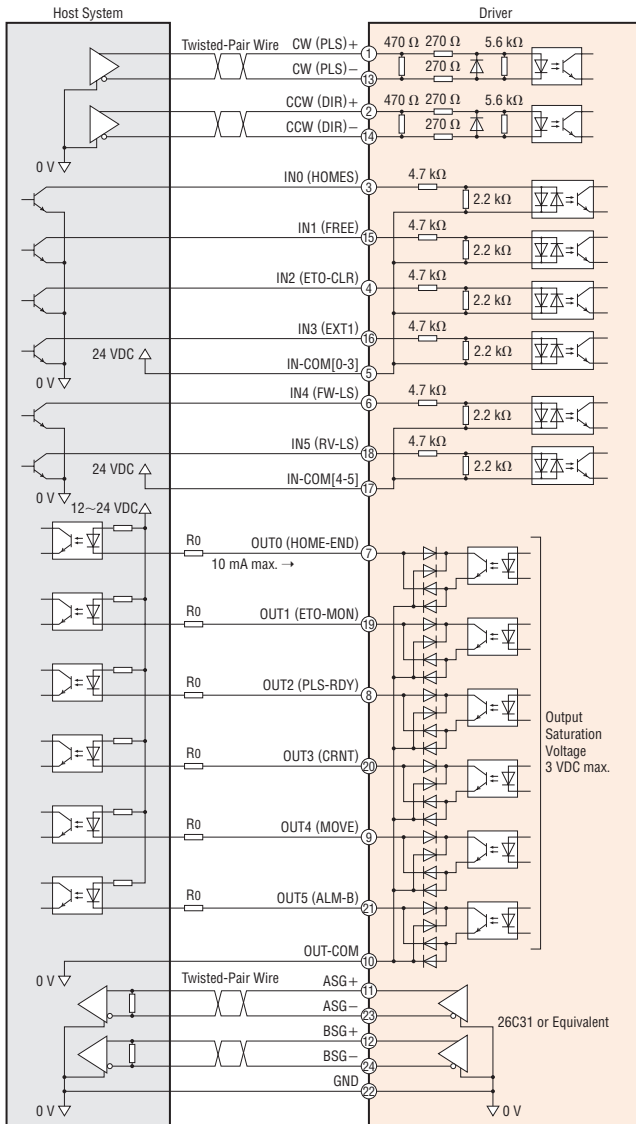
* R_1 : 1.2 kΩ~2.2 kΩ 0.5 W min.

Note

- Use 5~24 VDC for CW (PLS) input and CCW (DIR) input. If used at 24 VDC, connect external resistor R_1 (1.2 kΩ~2.2 kΩ 0.5 W min.)
- If used at 5 VDC, connect the pulse input signal directly without connecting an external resistor.

◇EtherCAT Drive Profile compatible

●Diagram for Connection with Current Sink Output Circuit
When the pulse input is the line driver

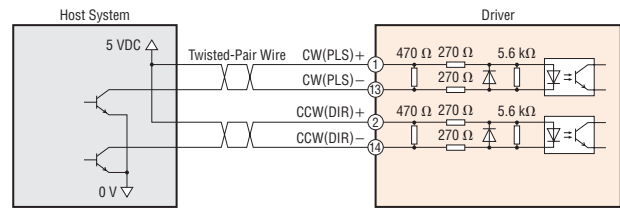


Note

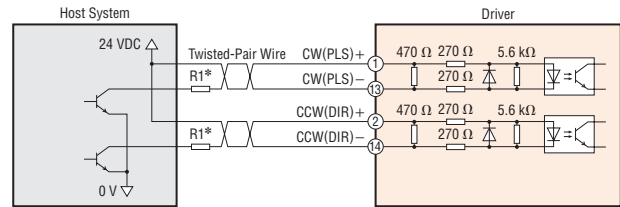
- Use 24 VDC for the input signals.
- Use output signal at 12~24 VDC 10 mA or less. When the current value exceeds 10 mA, connect an external resistor R_o to reduce the current to 10 mA or less.
- Provide a distance of 200 mm or more between the signal lines and power lines (power supply lines, motor lines). Do not run the signal lines in the same piping as power lines or bundle them with power lines.
- If noise generated by the motor cable or power supply cable causes a problem with the specific wiring or layout, shield the cable or use ferrite cores.

When the pulse input is open collector

●When the pulse input signal is 5 VDC



●When the pulse input signal is 24 VDC

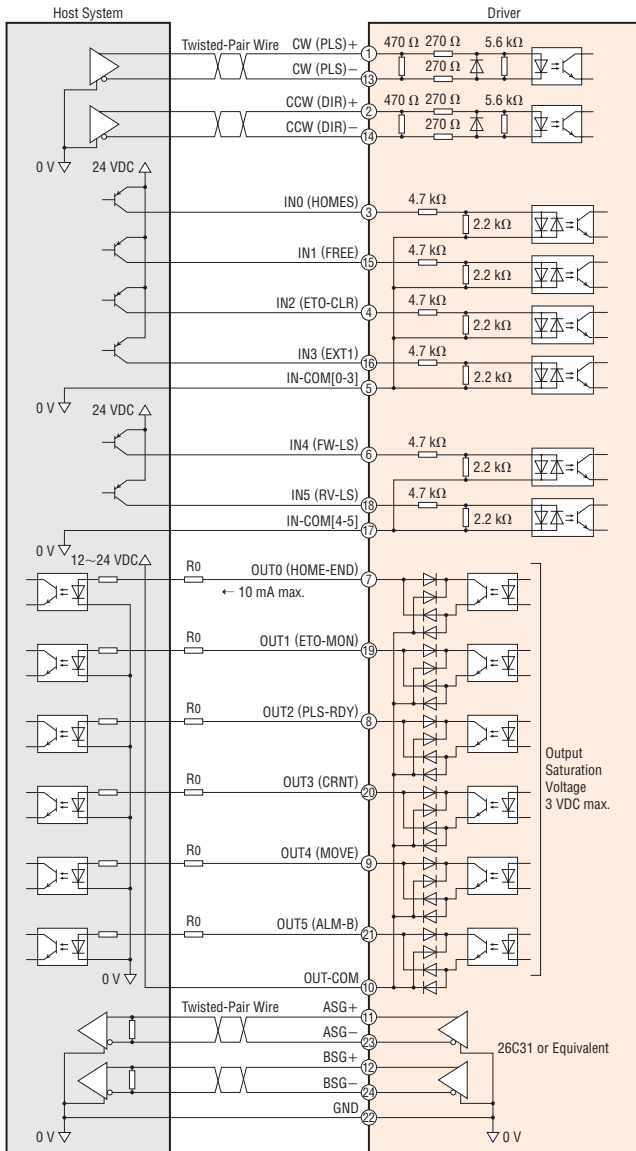


* R_1 : 1.2 k Ω ~2.2 k Ω 0.5 W min.

Note

- Use 5~24 VDC for CW (PLS) input and CCW (DIR) input. If used at 24 VDC, connect external resistor R_1 (1.2 k Ω ~2.2 k Ω 0.5 W min.)
- If used at 5 VDC, connect the pulse input signal directly without connecting an external resistor.

•Diagram for Connection with Current Source Output Circuit
When the pulse input is the line driver

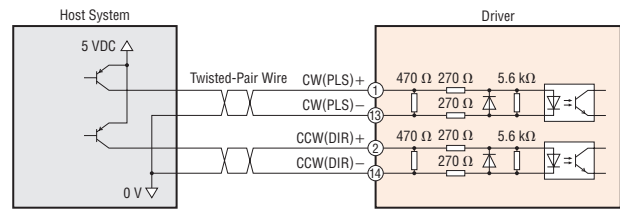


Note

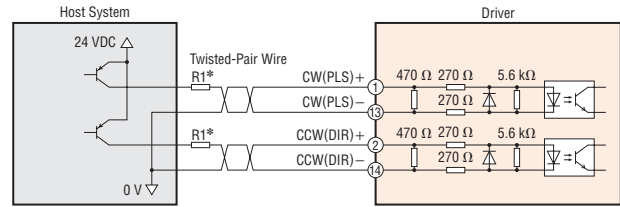
- Use 24 VDC for the input signals.
- Use output signal at 12~24 VDC 10 mA or less. When the current value exceeds 10 mA, connect an external resistor R_0 to reduce the current to 10 mA or less.
- Provide a distance of 200 mm or more between the signal lines and power lines (power supply lines, motor lines). Do not run the signal lines in the same piping as power lines or bundle them with power lines.
- If noise generated by the motor cable or power supply cable causes a problem with the specific wiring or layout, shield the cable or use ferrite cores.

When the pulse input is open collector

- When the pulse input signal is 5 VDC



- When the pulse input signal is 24 VDC



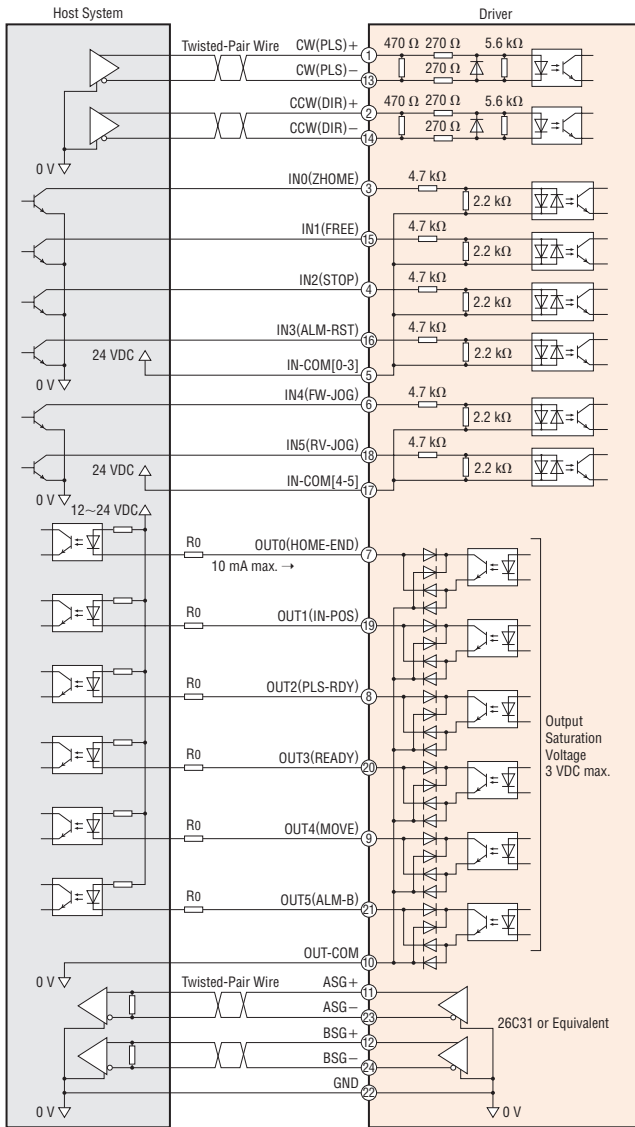
* R_1 : 1.2 k Ω ~2.2 k Ω 0.5 W min.

Note

- Use 5~24 VDC for CW (PLS) input and CCW (DIR) input. If used at 24 VDC, connect external resistor R_1 (1.2 k Ω ~2.2 k Ω 0.5 W min.)
- If used at 5 VDC, connect the pulse input signal directly without connecting an external resistor.

◇PROFINET compatible

●Diagram for Connection with Current Sink Output Circuit
When the pulse input is the line driver

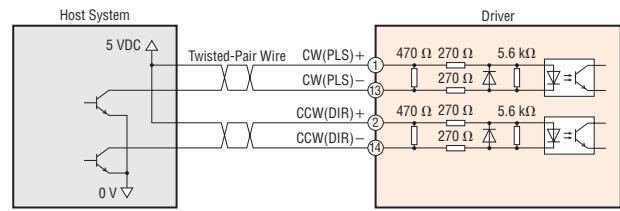


Note

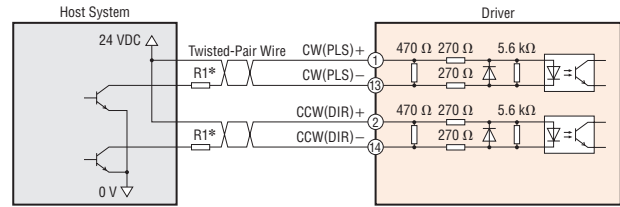
- Use 24 VDC for the input signals.
- Use output signal at 12~24 VDC 10 mA or less. When the current value exceeds 10 mA, connect an external resistor R_o to reduce the current to 10 mA or less.
- Provide a distance of 200 mm or more between the signal lines and power lines (power supply lines, motor lines). Do not run the signal lines in the same piping as power lines or bundle them with power lines.
- If noise generated by the motor cable or power supply cable causes a problem with the specific wiring or layout, shield the cable or use ferrite cores.

When the pulse input is open collector

●When the pulse input signal is 5 VDC



●When the pulse input signal is 24 VDC

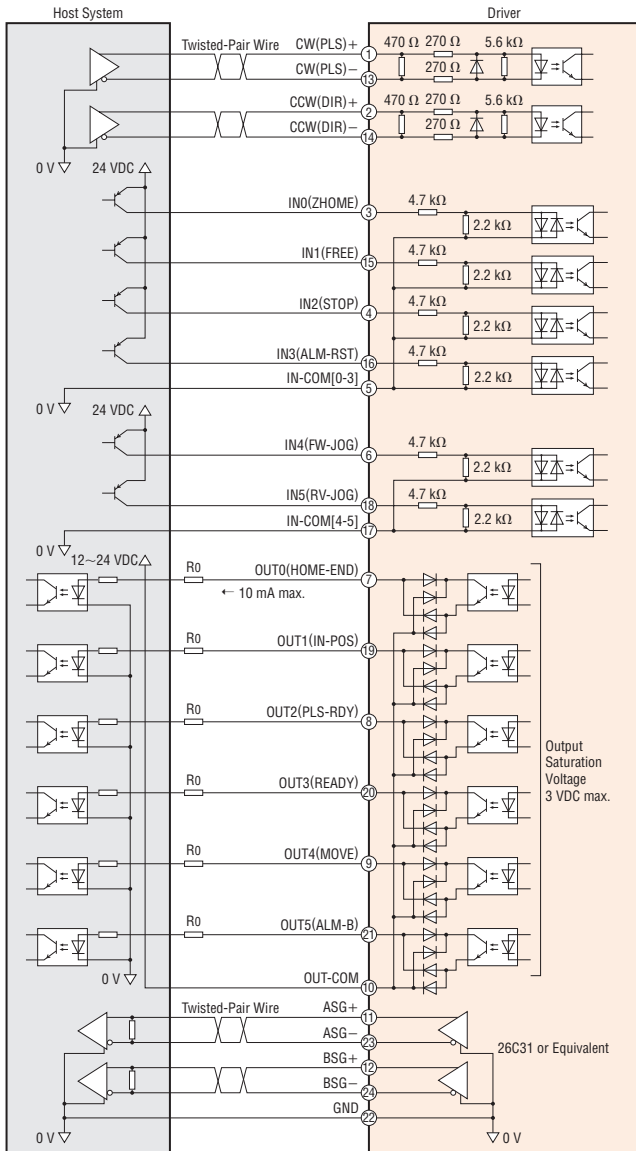


* R_1 : 1.2 k Ω ~2.2 k Ω 0.5 W min.

Note

- Use 5~24 VDC for CW (PLS) input and CCW (DIR) input. If used at 24 VDC, connect external resistor R_1 (1.2 k Ω ~2.2 k Ω 0.5 W min.)
- If used at 5 VDC, connect the pulse input signal directly without connecting an external resistor.

•Diagram for Connection with Current Source Output Circuit
When the pulse input is the line driver

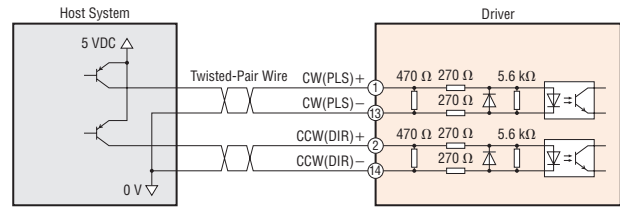


Note

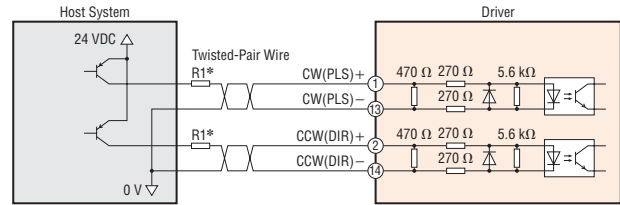
- Use 24 VDC for the input signals.
- Use output signal at 12~24 VDC 10 mA or less. When the current value exceeds 10 mA, connect an external resistor R_0 to reduce the current to 10 mA or less.
- Provide a distance of 200 mm or more between the signal lines and power lines (power supply lines, motor lines). Do not run the signal lines in the same piping as power lines or bundle them with power lines.
- If noise generated by the motor cable or power supply cable causes a problem with the specific wiring or layout, shield the cable or use ferrite cores.

When the pulse input is open collector

•When the pulse input signal is 5 VDC



•When the pulse input signal is 24 VDC



* R_1 : 1.2 k Ω ~2.2 k Ω 0.5 W min.

Note

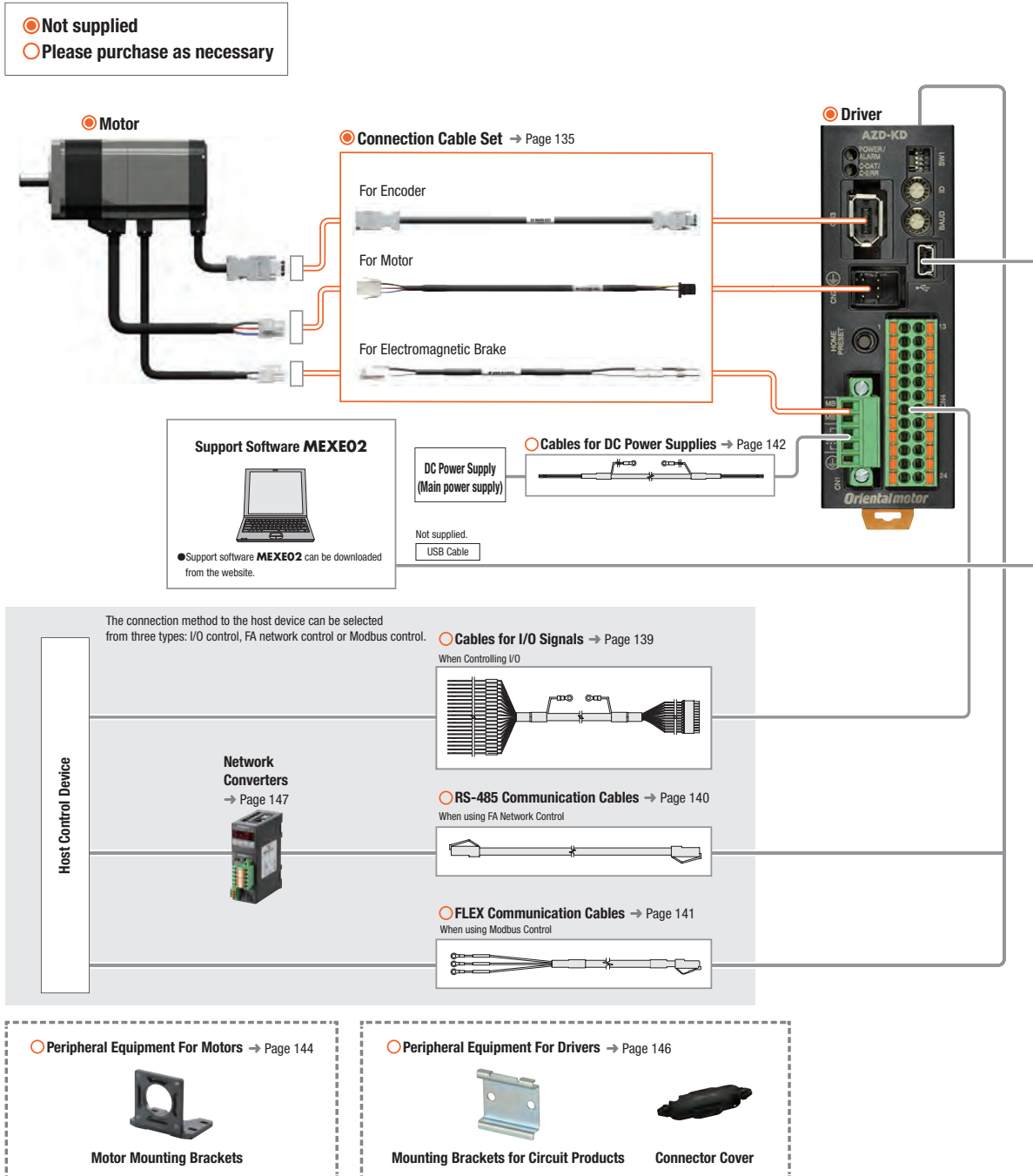
- Use 5~24 VDC for CW (PLS) input and CCW (DIR) input. If used at 24 VDC, connect external resistor R_1 (1.2 k Ω ~2.2 k Ω 0.5 W min.)
- If used at 5 VDC, connect the pulse input signal directly without connecting an external resistor.

System Configuration	Product Line	Specifications and Characteristics	Dimensions	Connection and Operation	System Configuration	Product Line	Specifications and Characteristics	Dimensions	Connection and Operation	Cables/ Peripheral Equipment
AC Input					DC Input					

System Configuration

- Combination of Standard Type Motor with Electromagnetic Brake and Built-in Controller Type Driver or Pulse Input Type Driver with RS-485 Communication

An example of a configuration using RS-485 communication or I/O control with a built-in controller type driver is shown below. Motors, drivers, and connection cable sets/flexible connection cable sets must be ordered individually.



Example of System Configuration

Motor		Driver		Cables			Peripheral Equipment
AZM66MK	+	AZD-KD	+	Connection Cable Set (1 m)	Cables for I/O Signals Connector Type (1 m)	+	Mounting Brackets for Circuit Products
○		○		CC010VZFB2	CC16D010B-1		MAFP02
				○	○		○

● The system configuration shown above is an example. Other combinations are also available.

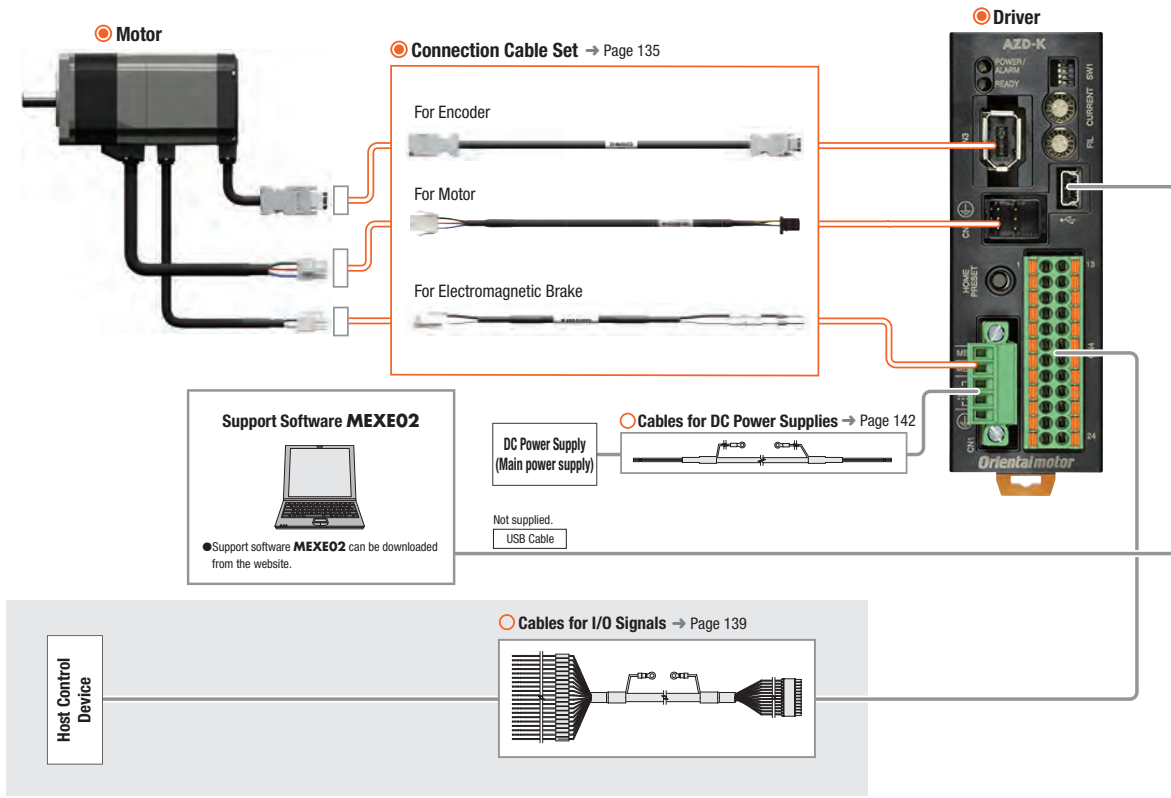
Note

- The motor cable and electromagnetic brake cable from the motor cannot be connected directly to the driver. When connecting to a driver, use a connection cable.


● **Combination of Standard Type Motor with Electromagnetic Brake and Pulse Input Type Driver**

An example of a single-axis system configuration with a programmable controller (equipped with pulse oscillation function) is shown below. Motors, drivers, and connection cable sets/flexible connection cable sets must be ordered individually.

- **Not supplied**
- **Please purchase as necessary**




○ **Peripheral Equipment For Motors** → Page 144



Motor Mounting Brackets

○ **Peripheral Equipment For Drivers** → Page 146



Mounting Brackets for Circuit Products **Connector Cover**

● **Example of System Configuration**

			Cables	
Motor	Driver	+	Connection Cable Set (1 m)	Cables for I/O Signals Connector Type (1 m)
AZM66MK	AZD-K	+	CC010VZFB2	CC16D010B-1
○	○	○	○	○

● The system configuration shown above is an example. Other combinations are also available.

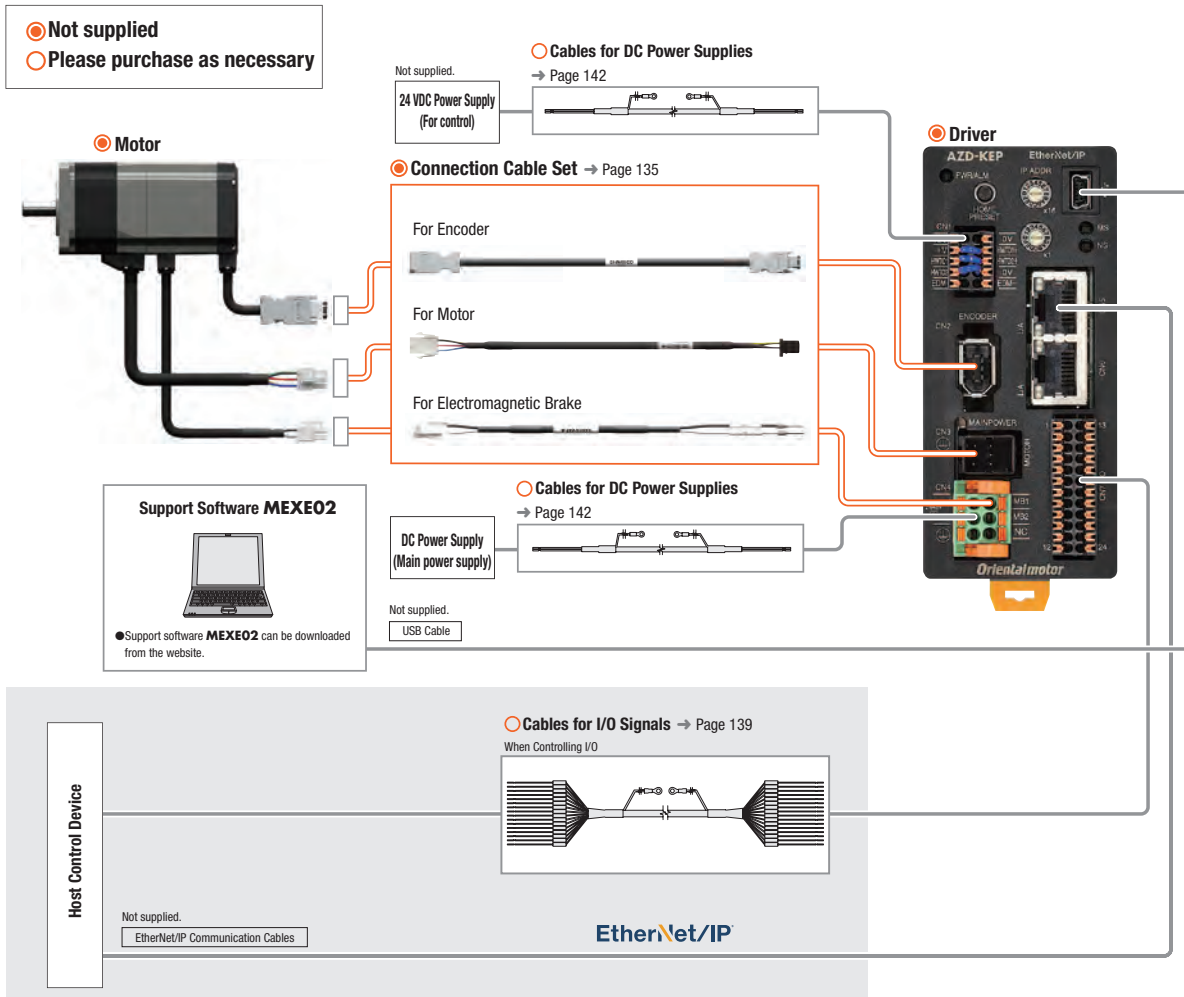
Note

● The motor cable and electromagnetic brake cable from the motor cannot be connected directly to the driver. When connecting to a driver, use a connection cable.

	System Configuration	Product Line	Specifications and Characteristics	AC Input
	Dimensions	Connection and Operation	System Configuration	Product Line
	Specifications and Characteristics	Dimensions	Connection and Operation	DC Input
	Specifications and Characteristics	Dimensions	Connection and Operation	Cables/ Peripheral Equipment

● **Combination of Standard Type Motor with Electromagnetic Brake and Network Compatible Driver**

An example of a configuration using I/O control or EtherNet/IP with an EtherNet/IP compatible driver is shown below. Motors, drivers, and connection cable sets/flexible connection cable sets must be ordered individually.



○ **Peripheral Equipment For Motors** → Page 144

Motor Mounting Brackets

○ **Peripheral Equipment For Drivers** → Page 146

Mounting Brackets for Circuit Products **Connector Cover**

● **Example of System Configuration**

Motor	+	Driver	+	Cables	
AZM66MK		AZD-KEP		Connection Cable Set (1 m)	General Purpose Cable Type for I/O Signals (1 m)
○		○		CC010VZFB2	CC16D010B-1
○		○		○	○

● The system configuration shown above is an example. Other combinations are also available.

Note

● The motor cable and electromagnetic brake cable from the motor cannot be connected directly to the driver. When connecting to a driver, use a connection cable.

Product Number

Motor

Standard Type

AZM 6 6 A 0 K F

① ② ③ ④ ⑤ ⑥ ⑦

PS, HPG, Harmonic Geared Type

AZM 6 6 A K - HP 15 F

① ② ③ ④ ⑥ ⑧ ⑨ ⑩

TS Geared Type

AZM 6 6 A K - TS 7.2 U

① ② ③ ④ ⑤ ⑥ ⑦ ⑧

FC Geared Type

AZM 6 6 A K - FC 7.2 U A

① ② ③ ④ ⑤ ⑥ ⑦ ⑧ ⑨

Driver

AZD - K D

① ② ③

Connection Cable Sets/Flexible Connection Cable Sets

CC 050 V Z □ F B 2

① ② ③ ④ ⑤ ⑥ ⑦ ⑧

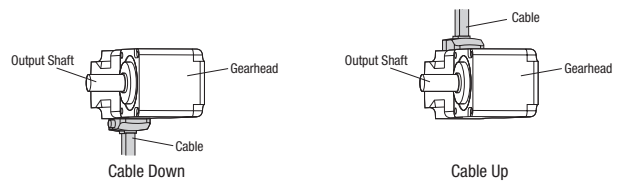
①	Motor Type	AZM: AZ Series Motor
②	Motor Frame Size	1: 20 mm 2: 28 mm (Harmonic geared type is 30 mm) 4: 42 mm (HPG geared type is 40 mm) 6: 60 mm
	Motor Case Length	
	Output Shaft Type	A: Single Shaft M: Type with Electromagnetic Brake
	Additional Function*	0: Straight 1: With Key
⑤	Motor Type	K: DC Input Specification
⑥	Motor Cable Configuration	F: Horizontal outlet
⑦	Motor Cable Configuration	F: Horizontal outlet
⑧	Geared Type	PS: PS Geared Type HP: HPG Geared Type HS: Harmonic Geared Type
⑨	Gear Ratio	
⑩	Output Shaft Type	HPG Geared Type Blank: Shaft Output F: Flange Output

*Standard type products without an additional function number have a round shaft with a flat.

①	Motor Type	AZM: AZ Series Motor
②	Motor Frame Size	4: 42 mm 6: 60 mm
③	Motor Case Length	
④	Output Shaft Type	A: Single Shaft M: Type with Electromagnetic Brake
⑤	Motor Type	K: DC Input Specification
⑥	Geared Type	TS: TS Geared Type
⑦	Gear Ratio	
⑧	Cable Outlet Direction	U: Up L: Left R: Right

①	Motor Type	AZM: AZ Series Motor
②	Motor Frame Size	4: 42 mm 6: 60 mm
③	Motor Case Length	
④	Output Shaft Type	A: Single Shaft M: Type with Electromagnetic Brake
⑤	Motor Type	K: DC Input Specification
⑥	Geared Type	FC: FC Geared Type
⑦	Gear Ratio	
⑧	Cable Outlet Direction*	D: Down U: Up
⑨	Identification	A: Solid Shaft

*The cable direction is as viewed from the gearhead with the output shaft facing left.



①	Driver Type	AZD: AZ Series Driver
②	Power Supply Input	K: 24/48 VDC
③	Product Line	D: Built-in Controller Type X: Pulse Input Type with RS-485 Communication Blank: Pulse Input Type EP: EtherNet/IP compatible ED: EtherCAT Drive Profile compatible PN: PROFINET compatible

①		CC: Cable
②	Length	005: 0.5 m 010: 1 m 015: 1.5 m 020: 2 m 025: 2.5 m 030: 3 m 040: 4 m 050: 5 m 070: 7 m 100: 10 m 150: 15 m 200: 20 m
③	Reference Number	
④	Applicable Model	Z: For AZ Series
⑤	Reference Number	Blank: Frame Size 42 mm (HPG Geared Type is 40 mm), 60 mm
		2: Frame Size 20 mm, 28 mm (Harmonic geared type is 30 mm)
⑥	Cable Type	F: Connection Cable Sets R: Flexible Connection Cable Sets
⑦	Description	Blank: Without Electromagnetic Brake B: With Electromagnetic Brake
⑧	Cable Specifications	2: For DC Input

Product Line

Motors, drivers, and connection cables must be ordered individually.

Motor

Standard Type



Frame Size	Product Name
20 mm	AZM14AK AZM15AK
28 mm	AZM24AK AZM26AK
42 mm	AZM46AK AZM46AOK AZM48AK AZM48AOK AZM48A1K
60 mm	AZM66AK AZM66AOK AZM66A1K AZM69AK AZM69AOK AZM69A1K

Standard Type with Electromagnetic Brake



Frame Size	Product Name
42 mm	AZM46MK AZM46MOK
60 mm	AZM66MK AZM66MOK AZM66M1K AZM69MK AZM69MOK AZM69M1K

TS Geared Type



Frame Size	Product Name
42 mm	AZM46AK-TS3.6 AZM46AK-TS3.6R AZM46AK-TS3.6U AZM46AK-TS3.6L AZM46AK-TS7.2 AZM46AK-TS7.2R AZM46AK-TS7.2U AZM46AK-TS7.2L AZM46AK-TS10 AZM46AK-TS10R AZM46AK-TS10U AZM46AK-TS10L AZM46AK-TS20 AZM46AK-TS20R AZM46AK-TS20U AZM46AK-TS20L AZM46AK-TS30 AZM46AK-TS30R AZM46AK-TS30U AZM46AK-TS30L
60 mm	AZM66AK-TS3.6 AZM66AK-TS3.6R AZM66AK-TS3.6U AZM66AK-TS3.6L AZM66AK-TS7.2 AZM66AK-TS7.2R AZM66AK-TS7.2U AZM66AK-TS7.2L AZM66AK-TS10 AZM66AK-TS10R AZM66AK-TS10U AZM66AK-TS10L AZM66AK-TS20 AZM66AK-TS20R AZM66AK-TS20U AZM66AK-TS20L AZM66AK-TS30 AZM66AK-TS30R AZM66AK-TS30U AZM66AK-TS30L

TS Geared Type with Electromagnetic Brake



Frame Size	Product Name
42 mm	AZM46MK-TS3.6 AZM46MK-TS3.6R AZM46MK-TS3.6U AZM46MK-TS3.6L AZM46MK-TS7.2 AZM46MK-TS7.2R AZM46MK-TS7.2U AZM46MK-TS7.2L AZM46MK-TS10 AZM46MK-TS10R AZM46MK-TS10U AZM46MK-TS10L AZM46MK-TS20 AZM46MK-TS20R AZM46MK-TS20U AZM46MK-TS20L AZM46MK-TS30 AZM46MK-TS30R AZM46MK-TS30U AZM46MK-TS30L
60 mm	AZM66MK-TS3.6 AZM66MK-TS3.6R AZM66MK-TS3.6U AZM66MK-TS3.6L AZM66MK-TS7.2 AZM66MK-TS7.2R AZM66MK-TS7.2U AZM66MK-TS7.2L AZM66MK-TS10 AZM66MK-TS10R AZM66MK-TS10U AZM66MK-TS10L AZM66MK-TS20 AZM66MK-TS20R AZM66MK-TS20U AZM66MK-TS20L AZM66MK-TS30 AZM66MK-TS30R AZM66MK-TS30U AZM66MK-TS30L



◇ **FC Geared Type**

Frame Size	Product Name
42 mm	AZM46AK-FC7.2UA AZM46AK-FC7.2DA AZM46AK-FC10UA AZM46AK-FC10DA AZM46AK-FC20UA AZM46AK-FC20DA AZM46AK-FC30UA AZM46AK-FC30DA
60 mm	AZM66AK-FC7.2UA AZM66AK-FC7.2DA AZM66AK-FC10UA AZM66AK-FC10DA AZM66AK-FC20UA AZM66AK-FC20DA AZM66AK-FC30UA AZM66AK-FC30DA



◇ **FC Geared Type with Electromagnetic Brake**

Frame Size	Product Name
42 mm	AZM46MK-FC7.2UA AZM46MK-FC7.2DA AZM46MK-FC10UA AZM46MK-FC10DA AZM46MK-FC20UA AZM46MK-FC20DA AZM46MK-FC30UA AZM46MK-FC30DA
60 mm	AZM66MK-FC7.2UA AZM66MK-FC7.2DA AZM66MK-FC10UA AZM66MK-FC10DA AZM66MK-FC20UA AZM66MK-FC20DA AZM66MK-FC30UA AZM66MK-FC30DA



◇ **PS Geared Type**

Frame Size	Product Name
42 mm	AZM46AK-PS5 AZM46AK-PS7.2 AZM46AK-PS10 AZM46AK-PS25 AZM46AK-PS36 AZM46AK-PS50
60 mm	AZM66AK-PS5 AZM66AK-PS7.2 AZM66AK-PS10 AZM66AK-PS25 AZM66AK-PS36 AZM66AK-PS50



◇ **PS Geared Type with Electromagnetic Brake**

Frame Size	Product Name
42 mm	AZM46MK-PS5 AZM46MK-PS7.2 AZM46MK-PS10 AZM46MK-PS25 AZM46MK-PS36 AZM46MK-PS50
60 mm	AZM66MK-PS5 AZM66MK-PS7.2 AZM66MK-PS10 AZM66MK-PS25 AZM66MK-PS36 AZM66MK-PS50



◇ **HPG Geared Type**

Frame Size	Product Name
40 mm	AZM46AK-HP5 AZM46AK-HP5F AZM46AK-HP9 AZM46AK-HP9F
60 mm	AZM66AK-HP5 AZM66AK-HP5F AZM66AK-HP15 AZM66AK-HP15F



◇ **HPG Geared Type with Electromagnetic Brake**

Frame Size	Product Name
40 mm	AZM46MK-HP5 AZM46MK-HP5F AZM46MK-HP9 AZM46MK-HP9F
60 mm	AZM66MK-HP5 AZM66MK-HP5F AZM66MK-HP15 AZM66MK-HP15F



◇ **Harmonic Geared Type**

Frame Size	Product Name
42 mm	AZM46AK-HS50 AZM46AK-HS100
60 mm	AZM66AK-HS50 AZM66AK-HS100



◇ **Harmonic Geared Type with an Electromagnetic Brake**

Frame Size	Product Name
42 mm	AZM46MK-HS50 AZM46MK-HS100
60 mm	AZM66MK-HS50 AZM66MK-HS100

● Driver

◇ Built-in Controller Type



Power Supply Input	Product Name
24/48 VDC	AZD-KD

◇ Pulse Input Type with RS-485 Communication



Power Supply Input	Product Name
24/48 VDC	AZD-KX

◇ Pulse Input Type



Power Supply Input	Product Name
24/48 VDC	AZD-K

◇ EtherNet/IP compatible



Power Supply Input	Product Name
24/48 VDC	AZD-KEP

◇ EtherCAT Drive Profile compatible



Power Supply Input	Product Name
24/48 VDC	AZD-KED

◇ PROFINET compatible



Power Supply Input	Product Name
24/48 VDC	AZD-KPN

● Connection Cable Sets/Flexible Connection Cable Sets

Use the flexible connection cable set in applications where the cable is bent and flexed. Extension cables and flexible extension cables are also available. Refer to page 135.

■ Included Items

● Motor

Type	Included Items	Parallel Key	Motor Installation Screw
Standard Type	Round Shaft with Flat	—	—
	Straight Type	—	—
TS Geared Type	With Key	1 Piece	—
	Frame Size 42 mm	—	—
FC Geared Type	Frame Size 60 mm	1 Piece	M4×60 P0.7 (4 screws)
		1 Piece	—
PS Geared Type	Frame Size 28 mm	—	—
	Frame Size 42 mm, 60 mm	1 Piece	—
HPG Geared Type	Shaft Output	1 Piece	—
	Flange Output	—	—
Harmonic Geared Type	Frame Size 30 mm	—	—
	Frame Size 42 mm, 60 mm	1 Piece	—

● Driver

Type	Included Items	Connector
Built-in Controller Type Pulse Input Type with RS-485 Communication Pulse Input Type		For CN1 (1 piece)
		For CN4 (1 piece)
EtherNet/IP compatible EtherCAT Drive Profile compatible PROFINET compatible		For CN1 (1 piece)
		For CN4 (1 piece)
		For CN7 (1 piece)

List of Combinations

Product Line	Type	Product Name
Motor	Standard Type	AZM14AK, AZM15AK AZM24AK, AZM26AK AZM46 <input type="checkbox"/> <input type="checkbox"/> <input type="checkbox"/> <input type="checkbox"/> AZM48A <input type="checkbox"/> <input type="checkbox"/> AZM66 <input type="checkbox"/> <input type="checkbox"/> <input type="checkbox"/> <input type="checkbox"/> AZM69 <input type="checkbox"/> <input type="checkbox"/>
	TS Geared Type	AZM46 <input type="checkbox"/> K-TS <input type="checkbox"/> <input type="checkbox"/> AZM66 <input type="checkbox"/> K-TS <input type="checkbox"/> <input type="checkbox"/>
	FC Geared Type	AZM46 <input type="checkbox"/> K-FC <input type="checkbox"/> <input type="checkbox"/> A AZM66 <input type="checkbox"/> K-FC <input type="checkbox"/> <input type="checkbox"/> A
	PS Geared Type	AZM46 <input type="checkbox"/> K-PS <input type="checkbox"/> AZM66 <input type="checkbox"/> K-PS <input type="checkbox"/>
	HPG Geared Type	AZM46 <input type="checkbox"/> K-HP <input type="checkbox"/> <input type="checkbox"/> AZM66 <input type="checkbox"/> K-HP <input type="checkbox"/> <input type="checkbox"/>
	Harmonic Geared Type	AZM46 <input type="checkbox"/> K-HS <input type="checkbox"/> AZM66 <input type="checkbox"/> K-HS <input type="checkbox"/>

+

Product Line	Type	Product Name
Driver	Built-in Controller Type	AZD-KD
	Pulse Input Type with RS-485 Communication	AZD-KX
	Pulse Input Type	AZD-K
	EtherNet/IP compatible	AZD-KEP
	EtherCAT Drive Profile compatible	AZD-KED
	PROFINET compatible	AZD-KPN

+

Product Line	Type	Product Name	
Connection Cable Sets/ Flexible Connection Cable Sets	For AZM14, AZM15, AZM24, AZM26	Connection Cable Set	CC <input type="checkbox"/> <input type="checkbox"/> <input type="checkbox"/> <input type="checkbox"/> VZ2F2
		Flexible Connection Cable Sets	CC <input type="checkbox"/> <input type="checkbox"/> <input type="checkbox"/> <input type="checkbox"/> VZ2R2
	For AZM46, AZM48, AZM66, AZM69	Connection Cable Set	For Motor/Encoder: CC <input type="checkbox"/> <input type="checkbox"/> <input type="checkbox"/> <input type="checkbox"/> VZF2 For Motor/Encoder/Electromagnetic Brake: CC <input type="checkbox"/> <input type="checkbox"/> <input type="checkbox"/> <input type="checkbox"/> VZFB2
		Flexible Connection Cable Sets	For Motor/Encoder: CC <input type="checkbox"/> <input type="checkbox"/> <input type="checkbox"/> <input type="checkbox"/> VZR2 For Motor/Encoder/Electromagnetic Brake: CC <input type="checkbox"/> <input type="checkbox"/> <input type="checkbox"/> <input type="checkbox"/> VZRB2

● A letter or number indicating the following types is specified where the symbol is located in the product name.

- : Output Shaft Configuration
- : Additional Function
- : Motor Cable Configuration
- : Gear Ratio
- : Cable Outlet Direction
- : Output Shaft Type
- : Cable Length

System Configuration

Product Line

Specifications and Characteristics

AC Input

Dimensions

Connection and Operation

System Configuration

Product Line

Specifications and Characteristics

DC Input

Dimensions

Connection and Operation

Cables/Peripheral Equipment

Standard Type Frame Size 20 mm, 28 mm

Specifications



Motor Product Name	Single Shaft	AZM14AK	AZM15AK	AZM24AK	AZM26AK
Driver Product Name		AZD-K■			
Max. Holding Torque	Nm	0.02	0.036	0.095	0.19
Holding Torque at Motor Standstill	Nm	0.01	0.018	0.047	0.095
Rotor Inertia	J: kgm ²	2.7×10^{-7}	3.9×10^{-7}	9.2×10^{-7}	17×10^{-7}
Resolution	Resolution setting: 1000 P/R	0.36°/Pulse			
Power Supply Input		Check "■ Driver Specifications" on page 95 for the driver current when combined with a motor.			
Control Power Supply*1		Check "■ Driver Specifications" on page 95 for the driver current when combined with a motor.			

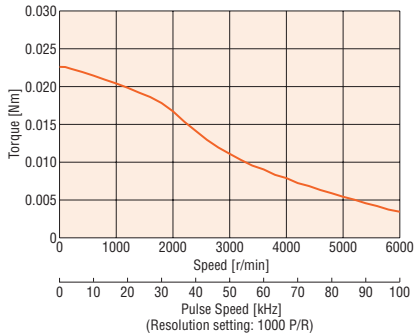
● A letter indicating the driver type is specified where the box ■ is located in the product name. Check "■ List of Combinations" on page 83 for driver product names.

*1 Excluding AZD-KD, AZD-KX, and AZD-K

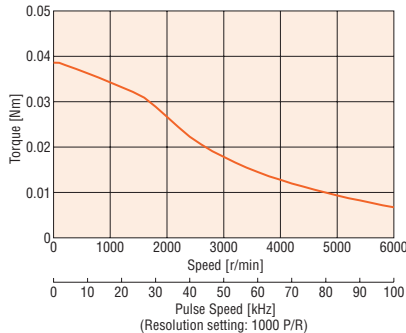
*2 Excluding the motor

Speed – Torque Characteristics (Reference values)

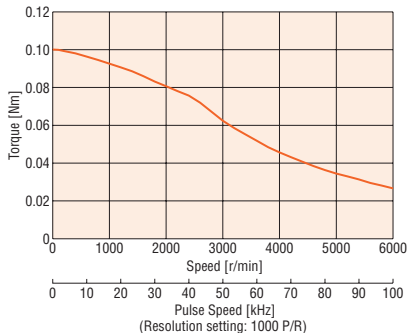
AZM14



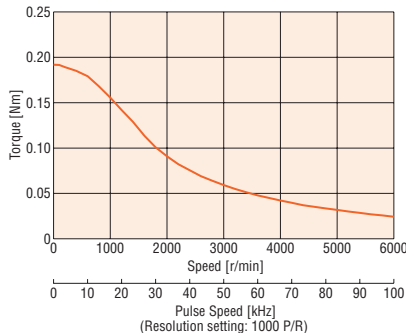
AZM15



AZM24



AZM26



Note

● Data for the speed – torque characteristics is based on Oriental Motor's internal measurement conditions. If the conditions are changed, the characteristics may also change as a result.

● Depending on the driving conditions, a considerable amount of heat may be generated by the motor. To protect the absolute sensor, be sure to keep the temperature of the motor case at 80°C or less.

Explanation of Terminology in Specifications Table

Max. holding torque	: This is the max. holding torque (holding force) the motor has when power is supplied (at rated current) but the motor is not rotating. (With geared types, the value of holding torque considers the permissible strength of the gear.)	
Permissible torque	: This is the max. value of the torque continuously applied to the output gear shaft.	
Max. instantaneous torque	: This is the max. torque that can be applied to the output gear shaft during acceleration/deceleration such when an inertial load is started and stopped.	
Holding torque at motor standstill	While power is on	: This is the holding torque when the automatic current cutback function is active.
	Electromagnetic brake	: This is the static friction torque when the electromagnetic brake is activated at standstill. (Electromagnetic brake is power off activated type.)

Standard Type Frame Size 42 mm, 60 mm

Specifications



Motor Product Name	Single Shaft	AZM46A□K□	AZM48A□K□	AZM66A□K□	AZM69A□K□
Driver Product Name	With Electromagnetic Brake	AZM46M□K□	—	AZM66M□K□	AZM69M□K□
		AZD-K■			
Max. Holding Torque	Nm	0.3	0.72	1	2
Holding Torque at Motor Standstill	Power ON	Nm	0.15	0.36	0.5
	Electromagnetic Brake	Nm	0.15	—	0.5
Rotor Inertia	J: kgm ²	55×10^{-7} (71×10^{-7})*1	115×10^{-7}	370×10^{-7} (530×10^{-7})*1	740×10^{-7} (900×10^{-7})*1
Resolution	Resolution setting: 1000 P/R	0.36°/Pulse			
Power Supply Input	Check "■ Driver Specifications" on page 95 for the driver current when combined with a motor.				
Control Power Supply*2					

● Either **0** (Straight) or **1** (With key) indicating the additional function is specified where the box □ is located in the product name. (**AZM46** is straight only)

For round shaft with a flat, there is no character in the box □.

If the motor cable configuration is horizontal outlet, an **F** is specified where the box □ is located in the product name.

A letter indicating the driver type is specified where the box ■ is located in the product name. Check "■ List of Combinations" on page 83 for driver product names.

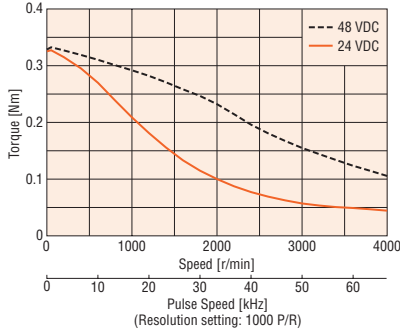
● When the motor is operated from 48 VDC input, as a reference, use an inertial load 10 times the rotor inertial ratio or less and twice the safety factor or more when calculating the acceleration torque (excluding **AZM46**).

*1 The value inside the () represents the value when connecting an electromagnetic brake motor.

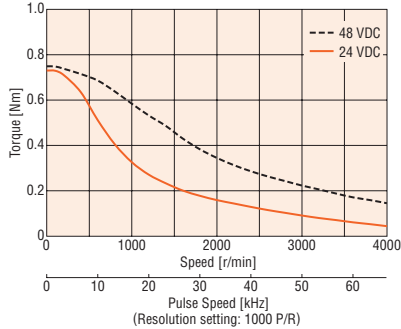
*2 Excluding **AZD-KD**, **AZD-KX**, and **AZD-K**

Speed – Torque Characteristics (Reference values)

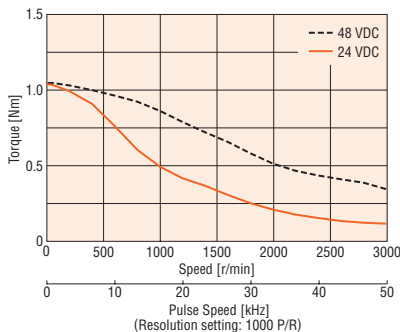
AZM46



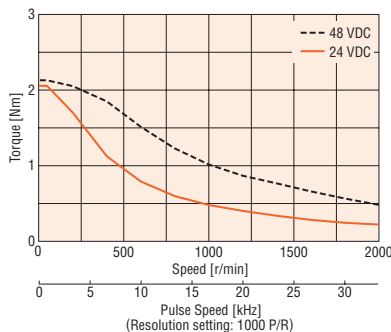
AZM48



AZM66



AZM69



Note

● Data for the speed – torque characteristics is based on Oriental Motor's internal measurement conditions. If the conditions are changed, the characteristics may also change as a result.

● Depending on the driving conditions, a considerable amount of heat may be generated by the motor. To protect the absolute sensor, be sure to keep the temperature of the motor case at 80°C or less. (When conforming to the UL or CSA Standards, the temperature of the motor case must be kept at 75°C or less since the motor is recognized as heat-resistant class A.)

System Configuration
 Product Line
 Specifications and Characteristics
 AC Input
 Dimensions
 Connection and Operation
 System Configuration
 Product Line
 Specifications and Characteristics
 DC Input
 Dimensions
 Connection and Operation
 Cables/Peripheral Equipment

TS Geared Type Frame Size 42 mm

Specifications



Motor Product Name	Single Shaft	AZM46AK-TS3.6	AZM46AK-TS7.2	AZM46AK-TS10	AZM46AK-TS20	AZM46AK-TS30	
Driver Product Name	With Electromagnetic Brake	AZM46MK-TS3.6	AZM46MK-TS7.2	AZM46MK-TS10	AZM46MK-TS20	AZM46MK-TS30	
Max. Holding Torque	Nm	0.65	1.2	1.7	2	2.3	
Rotor Inertia	J: kgm ²	55×10 ⁻⁷ (71×10 ⁻⁷)*1					
Gear Ratio		3.6	7.2	10	20	30	
Resolution	Resolution setting: 1000 P/R	0.1°/Pulse	0.05°/Pulse	0.036°/Pulse	0.018°/Pulse	0.012°/Pulse	
Permissible Torque	Nm	0.65	1.2	1.7	2	2.3	
Max. Instantaneous Torque*	Nm	0.85	1.6	2	*	3	
Holding Torque at Motor Standstill	Power ON	Nm	0.54	1	1.5	1.8	2.3
	Electromagnetic Brake	Nm	0.54	1	1.5	1.8	2.3
Speed Range	r/min	0~833	0~416	0~300	0~150	0~100	
Backlash	arcmin	45 (0.75°)	25 (0.42°)		15 (0.25°)		
Power Supply Input		Check "Driver Specifications" on page 95 for the driver current when combined with a motor.					
Control Power Supply*2							

● Either **R** (Right), **U** (Up), or **L** (Left) indicating the cable outlet direction is specified where the box □ is located in the product name. For down, there is no character in the box □.

A letter indicating the driver type is specified where the box ■ is located in the product name. Check "List of Combinations" on page 83 for driver product names.

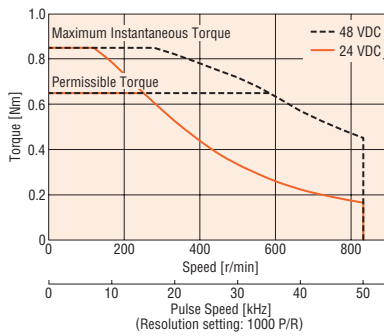
* For the geared motor output torque, refer to the speed-torque characteristics.

*1 The value inside the () represents the value when connecting an electromagnetic brake motor.

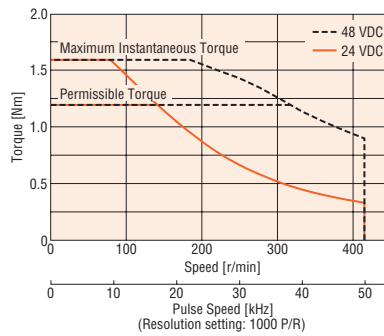
*2 Excluding **AZD-KD**, **AZD-KX**, and **AZD-K**

Speed – Torque Characteristics (Reference values)

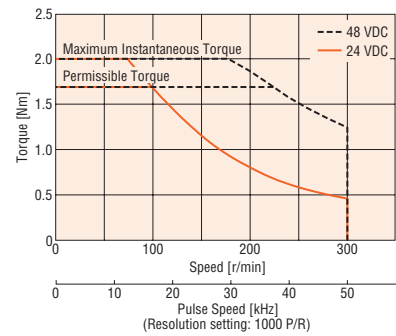
AZM46 Gear Ratio 3.6



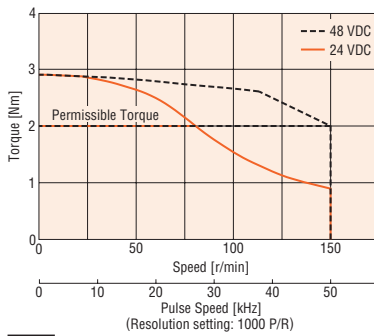
AZM46 Gear Ratio 7.2



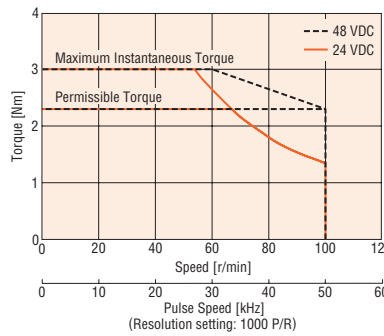
AZM46 Gear Ratio 10



AZM46 Gear Ratio 20



AZM46 Gear Ratio 30



Note

- Data for the speed – torque characteristics is based on Oriental Motor's internal measurement conditions. If the conditions are changed, the characteristics may also change as a result.
- Depending on the driving conditions, a considerable amount of heat may be generated by the motor. To protect the absolute sensor, be sure to keep the temperature of the motor case at 80°C or less. (When conforming to the UL or CSA Standards, the temperature of the motor case must be kept at 75°C or less since the motor is recognized as heat-resistant class A.)

TS Geared Type Frame Size 60 mm

Specifications

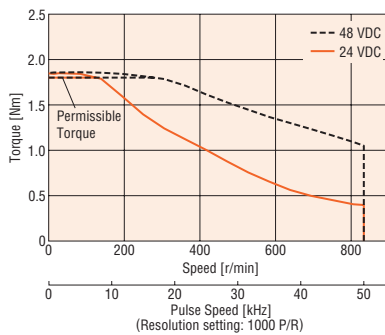


Motor Product Name	Single Shaft	AZM66AK-TS3.6	AZM66AK-TS7.2	AZM66AK-TS10	AZM66AK-TS20	AZM66AK-TS30	
Driver Product Name	With Electromagnetic Brake	AZM66MK-TS3.6	AZM66MK-TS7.2	AZM66MK-TS10	AZM66MK-TS20	AZM66MK-TS30	
Max. Holding Torque	Nm	1.8	3	4	5	6	
Rotor Inertia	J: kgm ²	370 × 10 ⁻⁷ (530 × 10 ⁻⁷)*1					
Gear Ratio		3.6	7.2	10	20	30	
Resolution	Resolution setting: 1000 P/R	0.1°/Pulse	0.05°/Pulse	0.036°/Pulse	0.018°/Pulse	0.012°/Pulse	
Permissible Torque	Nm	1.8	3	4	5	6	
Max. Instantaneous Torque*	Nm	*	*	*	8	10	
Holding Torque at Motor Standstill	Power ON	Nm	1.1	2.2	3	5	6
	Electromagnetic Brake	Nm	1.1	2.2	3	5	6
Speed Range	r/min	0~833	0~416	0~300	0~150	0~100	
Backlash	arcmin	35 (0.59°)	15 (0.25°)		10 (0.17°)		
Power Supply Input		Check "Driver Specifications" on page 95 for the driver current when combined with a motor.					
Control Power Supply*2							

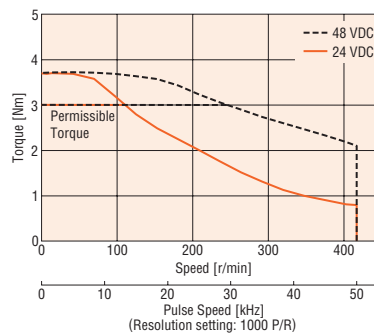
- Either **R** (Right), **U** (Up), or **L** (Left) indicating the cable outlet direction is specified where the box is located in the product name. For down, there is no character in the box . A letter indicating the driver type is specified where the box is located in the product name. Check "List of Combinations" on page 83 for driver product names.
- When the motor is operated from 48 VDC input, as a reference, use an inertial load 10 times the rotor inertial ratio or less and twice the safety factor or more when calculating the acceleration torque.
- * For the geared motor output torque, refer to the speed-torque characteristics.
- *1 The value inside the () represents the value when connecting an electromagnetic brake motor.
- *2 Excluding **AZD-KD**, **AZD-KX**, and **AZD-K**

Speed – Torque Characteristics (Reference values)

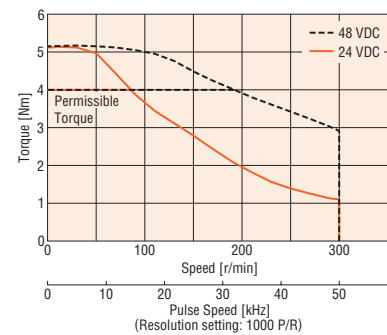
AZM66 Gear Ratio 3.6



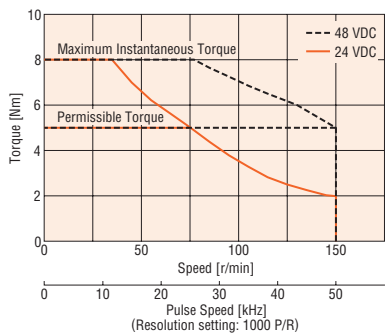
AZM66 Gear Ratio 7.2



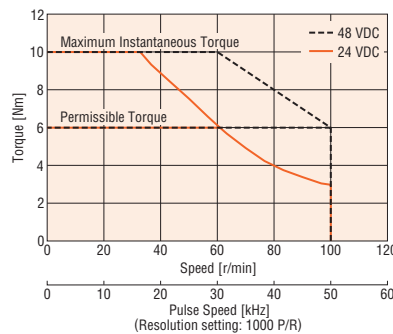
AZM66 Gear Ratio 10



AZM66 Gear Ratio 20



AZM66 Gear Ratio 30



Note

- Data for the speed – torque characteristics is based on Oriental Motor's internal measurement conditions. If the conditions are changed, the characteristics may also change as a result.
- Depending on the driving conditions, a considerable amount of heat may be generated by the motor. To protect the absolute sensor, be sure to keep the temperature of the motor case at 80°C or less. (When conforming to the UL or CSA Standards, the temperature of the motor case must be kept at 75°C or less since the motor is recognized as heat-resistant class A.)

System Configuration
 Product Line
 Specifications and Characteristics
 Dimensions
 Connection and Operation
 System Configuration
 Product Line
 Specifications and Characteristics
 Dimensions
 Connection and Operation
 DC Input
 Specifications and Characteristics
 Dimensions
 Connection and Operation
 Cables/Peripheral Equipment

FC Geared Type Frame Size 42 mm

Specifications

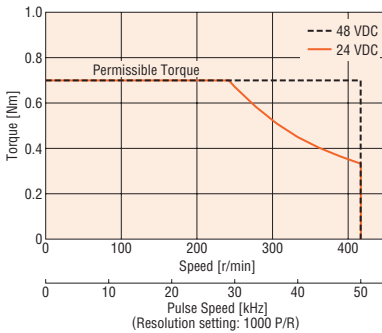


Motor Product Name	Single Shaft	AZM46AK-FC7.2 □A	AZM46AK-FC10 □A	AZM46AK-FC20 □A	AZM46AK-FC30 □A	
	With Electromagnetic Brake	AZM46MK-FC7.2 □A	AZM46MK-FC10 □A	AZM46MK-FC20 □A	AZM46MK-FC30 □A	
Driver Product Name	AZD-K □					
Max. Holding Torque	Nm	0.7	1	2	3	
Rotor Inertia	J: kgm ²	55×10 ⁻⁷ (71×10 ⁻⁷)*1				
Gear Ratio		7.2	10	20	30	
Resolution	Resolution setting: 1000 P/R	0.05°/Pulse	0.036°/Pulse	0.018°/Pulse	0.012°/Pulse	
Permissible Torque		0.7	1	2	3	
Holding Torque at Motor	Power ON	Nm	0.7	1	2	3
Standstill	Electromagnetic Brake	Nm	0.7	1	2	3
Speed Range	r/min	0~416	0~300	0~150	0~100	
Backlash	arcmin	25 (0.42°)		15 (0.25°)		
Power Supply Input	Check "Driver Specifications" on page 95 for the driver current when combined with a motor.					
Control Power Supply*2						

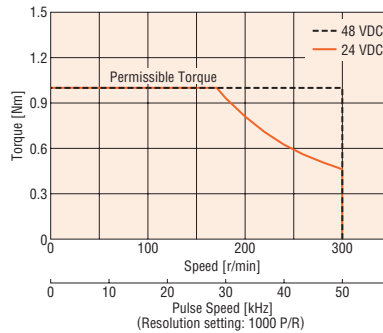
- Either **U** (Up) or **D** (Down) indicating the cable outlet direction is specified where the box □ is located in the product name.
A letter indicating the driver type is specified where the box ■ is located in the product name. Check "List of Combinations" on page 83 for driver product names.
- *1 The value inside the () represents the value when connecting an electromagnetic brake motor.
- *2 Excluding **AZD-KD**, **AZD-KX**, and **AZD-K**

Speed – Torque Characteristics (Reference values)

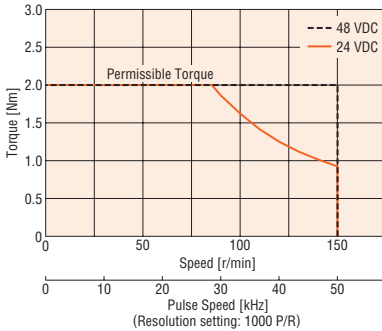
AZM46 Gear Ratio 7.2



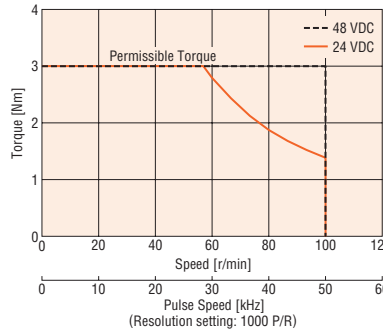
AZM46 Gear Ratio 10



AZM46 Gear Ratio 20



AZM46 Gear Ratio 30



Note

- Data for the speed – torque characteristics is based on Oriental Motor's internal measurement conditions. If the conditions are changed, the characteristics may also change as a result.
- Depending on the driving conditions, a considerable amount of heat may be generated by the motor. To protect the absolute sensor, be sure to keep the temperature of the motor case at 80°C or less. (When conforming to the UL or CSA Standards, the temperature of the motor case must be kept at 75°C or less since the motor is recognized as heat-resistant class A.)

FC Geared Type Frame Size 60 mm

Specifications

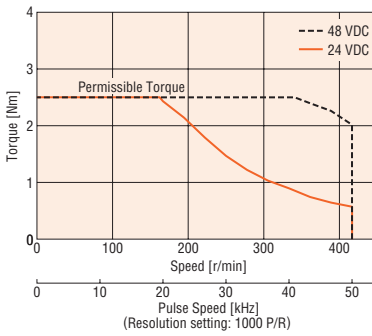


Motor Product Name	Single Shaft	AZM66AK-FC7.2□A	AZM66AK-FC10□A	AZM66AK-FC20□A	AZM66AK-FC30□A	
Driver Product Name	With Electromagnetic Brake	AZM66MK-FC7.2□A	AZM66MK-FC10□A	AZM66MK-FC20□A	AZM66MK-FC30□A	
AZD-K						
Max. Holding Torque	Nm	2.5	3.5	7	10.5	
Rotor Inertia	J: kgm ²	370×10^{-7} (530×10^{-7})*1				
Gear Ratio		7.2	10	20	30	
Resolution	Resolution setting: 1000 P/R	0.05°/Pulse	0.036°/Pulse	0.018°/Pulse	0.012°/Pulse	
Permissible Torque		2.5	3.5	7	10.5	
Holding Torque at Motor Standstill	Power ON	Nm	2.5	3.5	7	10.5
	Electromagnetic Brake	Nm	2.5	3.5	7	10.5
Permissible Speed Range	r/min	0~416	0~300	0~150	0~100	
Backlash	arcmin	15 (0.25°)		10 (0.17°)		
Power Supply Input		Check "Driver Specifications" on page 95 for the driver current when combined with a motor.				
Control Power Supply*2						

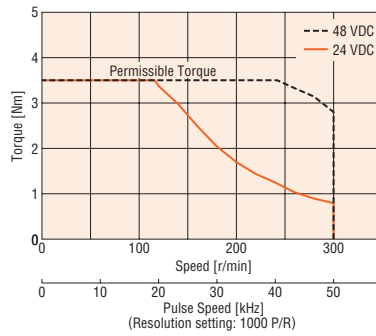
- Either **U** (Up) or **D** (Down) indicating the cable outlet direction is specified where the box □ is located in the product name.
A letter indicating the driver type is specified where the box ■ is located in the product name. Check "List of Combinations" on page 83 for driver product names.
- When the motor is operated from 48 VDC input, as a reference, use an inertial load 10 times the rotor inertial ratio or less and twice the safety factor or more when calculating the acceleration torque.
- *1 The value inside the () represents the value when connecting an electromagnetic brake motor.
- *2 Excluding **AZD-KD**, **AZD-KX**, and **AZD-K**

Speed – Torque Characteristics (Reference values)

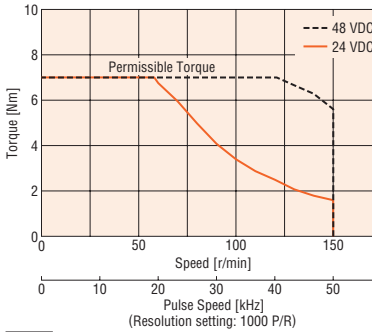
AZM66 Gear Ratio 7.2



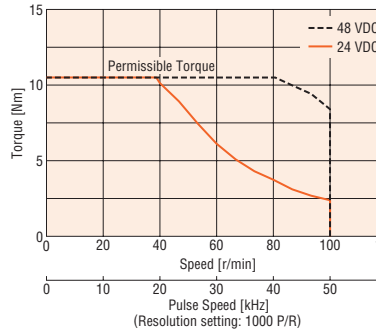
AZM66 Gear Ratio 10



AZM66 Gear Ratio 20



AZM66 Gear Ratio 30



Note

- Data for the speed – torque characteristics is based on Oriental Motor's internal measurement conditions. If the conditions are changed, the characteristics may also change as a result.
- Depending on the driving conditions, a considerable amount of heat may be generated by the motor. To protect the absolute sensor, be sure to keep the temperature of the motor case at 80°C or less. (When conforming to the UL or CSA Standards, the temperature of the motor case must be kept at 75°C or less since the motor is recognized as heat-resistant class A.)

System Configuration
 Product Line
 Specifications and Characteristics
 Dimensions
 Connection and Operation
 System Configuration
 Product Line
 Specifications and Characteristics
 Dimensions
 Connection and Operation
 Cables/Peripheral Equipment

PS Geared Type Frame Size 42 mm

Specifications



Motor Product Name	Single Shaft	AZM46AK-PS5	AZM46AK-PS7.2	AZM46AK-PS10	AZM46AK-PS25	AZM46AK-PS36	AZM46AK-PS50
	With Electromagnetic Brake	AZM46MK-PS5	AZM46MK-PS7.2	AZM46MK-PS10	AZM46MK-PS25	AZM46MK-PS36	AZM46MK-PS50
Driver Product Name	AZD-K						
Max. Holding Torque	Nm	1	1.5	2.5	3		
Rotor Inertia	J: kgm ²	55×10^{-7} (71×10^{-7})*1					
Gear Ratio		5	7.2	10	25	36	50
Resolution	Resolution setting: 1000 P/R	0.072°/Pulse	0.05°/Pulse	0.036°/Pulse	0.0144°/Pulse	0.01°/Pulse	0.0072°/Pulse
Permissible Torque	Nm	1	1.5	2.5	3		
Max. Instantaneous Torque*	Nm	*	2	6	*	6	
Holding Torque at Motor Standstill	Power ON	Nm	0.75	1	1.5	2.5	3
	Electromagnetic Brake	Nm	0.75	1	1.5	2.5	3
Permissible Speed Range	r/min	0~600	0~416	0~300	0~120	0~83	0~60
Backlash	arcmin	15 (0.25°)					
Power Supply Input		Check "Driver Specifications" on page 95 for the driver current when combined with a motor.					
Control Power Supply*2							

● A letter indicating the driver type is specified where the box **■** is located in the product name. Check "List of Combinations" on page 83 for driver product names.

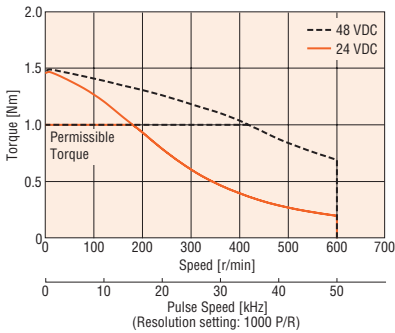
* For the geared motor output torque, refer to the speed-torque characteristics.

*1 The value inside the () represents the value when connecting an electromagnetic brake motor.

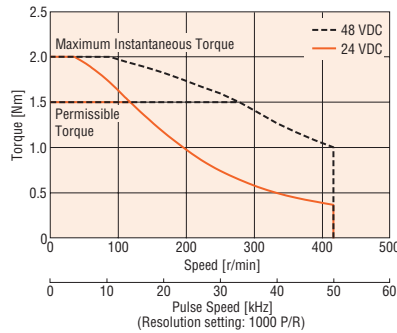
*2 Excluding **AZD-KD**, **AZD-KX**, and **AZD-K**

Speed – Torque Characteristics (Reference values)

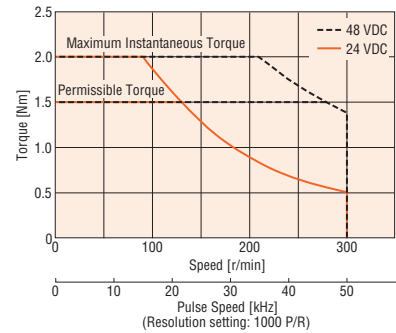
AZM46 Gear Ratio 5



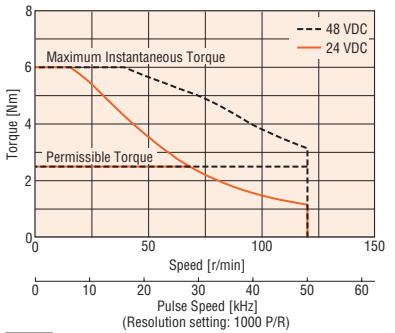
AZM46 Gear Ratio 7.2



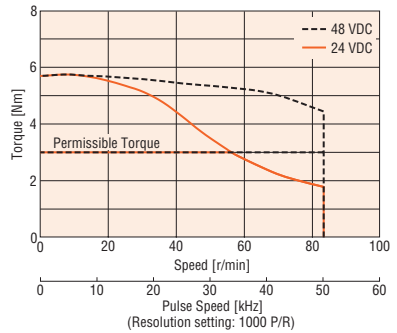
AZM46 Gear Ratio 10



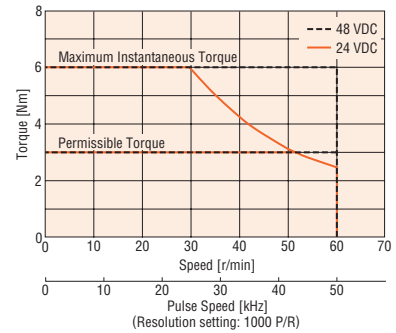
AZM46 Gear Ratio 25



AZM46 Gear Ratio 36



AZM46 Gear Ratio 50



Note

- Data for the speed – torque characteristics is based on Oriental Motor's internal measurement conditions. If the conditions are changed, the characteristics may also change as a result.
- Depending on the driving conditions, a considerable amount of heat may be generated by the motor. To protect the absolute sensor, be sure to keep the temperature of the motor case at 80°C or less. (When conforming to the UL or CSA Standards, the temperature of the motor case must be kept at 75°C or less since the motor is recognized as heat-resistant class A.)

System Configuration

Product Line

Specifications and Characteristics

Dimensions

Connection and Operation

System Configuration

Product Line

Specifications and Characteristics

Dimensions

Connection and Operation

Cables/Peripheral Equipment

PS Geared Type Frame Size 60 mm

Specifications

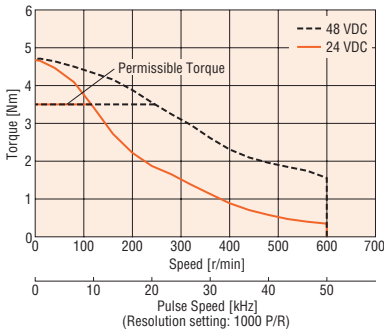


Motor Product Name	Single Shaft	AZM66AK-PS5	AZM66AK-PS7.2	AZM66AK-PS10	AZM66AK-PS25	AZM66AK-PS36	AZM66AK-PS50	
	With Electromagnetic Brake	AZM66MK-PS5	AZM66MK-PS7.2	AZM66MK-PS10	AZM66MK-PS25	AZM66MK-PS36	AZM66MK-PS50	
Driver Product Name	AZD-K							
Max. Holding Torque	Nm	3.5	4	5	8			
Rotor Inertia	J: kgm ²	370×10 ⁻⁷ (530×10 ⁻⁷)*1						
Gear Ratio		5	7.2	10	25	36	50	
Resolution	Resolution setting: 1000 P/R	0.072°/Pulse	0.05°/Pulse	0.036°/Pulse	0.0144°/Pulse	0.01°/Pulse	0.0072°/Pulse	
Permissible Torque	Nm	3.5	4	5	8			
Max. Instantaneous Torque*	Nm	*	*	*	*	*	20	
Holding Torque at Motor	Power ON	Nm	2.5	3.6	5	7.6	8	
Standstill	Electromagnetic Brake	Nm	2.5	3.6	5	7.6	8	
Speed Range	r/min	0~600	0~416	0~300	0~120	0~83	0~60	
Backlash	arcmin	7 (0.12°)			9 (0.15°)			
Power Supply Input		Check "Driver Specifications" on page 95 for the driver current when combined with a motor.						
Control Power Supply*2								

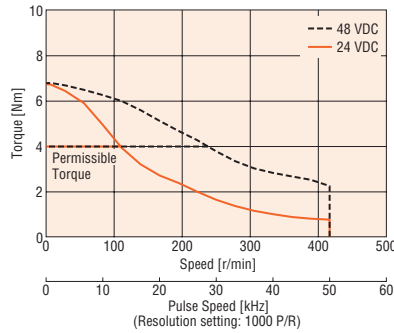
- A letter indicating the driver type is specified where the box is located in the product name. Check "List of Combinations" on page 83 for driver product names.
- When the motor is operated from 48 VDC input, as a reference, use an inertial load 10 times the rotor inertial ratio or less and twice the safety factor or more when calculating the acceleration torque.
- * For the geared motor output torque, refer to the speed-torque characteristics.
- *1 The value inside the () represents the value when connecting an electromagnetic brake motor.
- *2 Excluding AZD-KD, AZD-KX, and AZD-K

Speed – Torque Characteristics (Reference values)

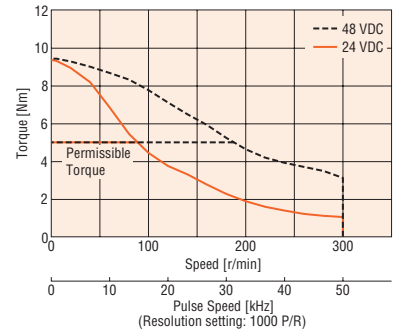
AZM66 Gear Ratio 5



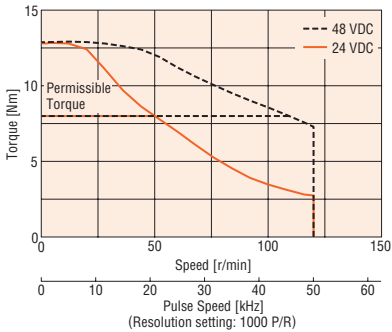
AZM66 Gear Ratio 7.2



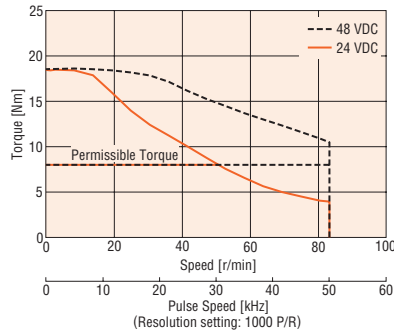
AZM66 Gear Ratio 10



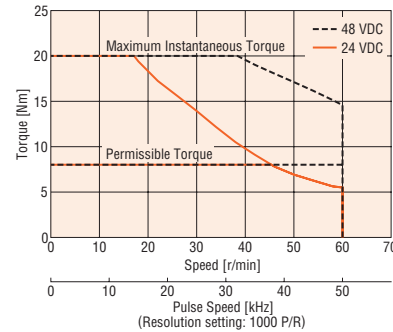
AZM66 Gear Ratio 25



AZM66 Gear Ratio 36



AZM66 Gear Ratio 50



Note

- Data for the speed – torque characteristics is based on Oriental Motor's internal measurement conditions. If the conditions are changed, the characteristics may also change as a result.
- Depending on the driving conditions, a considerable amount of heat may be generated by the motor. To protect the absolute sensor, be sure to keep the temperature of the motor case at 80°C or less. (When conforming to the UL or CSA Standards, the temperature of the motor case must be kept at 75°C or less since the motor is recognized as heat-resistant class A.)

HPG Geared Type Frame Size 40 mm, 60 mm

Specifications



Motor Product Name	Single Shaft	AZM46AK-HP5 <input type="checkbox"/>	AZM46AK-HP9 <input type="checkbox"/>	AZM66AK-HP5 <input type="checkbox"/>	AZM66AK-HP15 <input type="checkbox"/>	
Driver Product Name	With Electromagnetic Brake	AZM46MK-HP5 <input type="checkbox"/>	AZM46MK-HP9 <input type="checkbox"/>	AZM66MK-HP5 <input type="checkbox"/>	AZM66MK-HP15 <input type="checkbox"/>	
Max. Holding Torque	Nm	1.5	2.5	5	9	
Rotor Inertia	J: kgm ²	55×10 ⁻⁷ (71×10 ⁻⁷)*1		370×10 ⁻⁷ (530×10 ⁻⁷)*1		
Inertia*2	J: kgm ²	5.8×10 ⁻⁷ (4.2×10 ⁻⁷)	3.4×10 ⁻⁷ (2.9×10 ⁻⁷)	92×10 ⁻⁷ (86×10 ⁻⁷)	78×10 ⁻⁷ (77×10 ⁻⁷)	
Gear Ratio		5	9	5	15	
Resolution	Resolution setting: 1000 P/R	0.072°/Pulse	0.04°/Pulse	0.072°/Pulse	0.024°/Pulse	
Permissible Torque*	Nm	*	2.5	*	9	
Max. Instantaneous Torque*	Nm	*	*	*	*	
Holding Torque at Motor	Power ON	Nm	0.75	1.35	2.5	7.5
Standstill	Electromagnetic Brake	Nm	0.75	1.35	2.5	7.5
Permissible Speed Range	r/min	0~800	0~444	0~600	0~200	
Backlash	arcmin	3 (0.05°)				
Output Flange Surface Runout*3	mm	0.03		0.02		
Output Flange Inner Runout*3	mm	0.04				
Power Supply Input	Check "Driver Specifications" on page 95 for the driver current when combined with a motor.					
Control Power Supply*4						

● For the flange output type, **F** is specified where the box is located in the product name.

A letter indicating the driver type is specified where the box is located in the product name. Check "List of Combinations" on page 83 for driver product names.

● As a reference, when the motor is operated with 48 VDC input, use a load inertia that is at least twice the safety factor but no more than 10 times the rotor inertial ratio when calculating the acceleration torque. (Excluding **AZM46**)

* For the geared motor output torque, refer to the speed-torque characteristics.

*1 The value inside the () represents the value when connecting an electromagnetic brake motor.

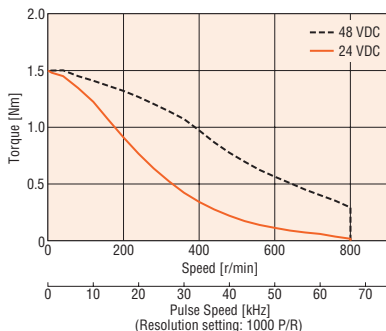
*2 This is the value of the internal inertia of the gear converted to the motor shaft. () contain values for the flange output type.

*3 Value for the flange output type.

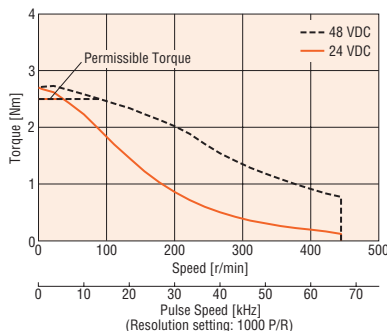
*4 Excluding **AZD-KD**, **AZD-KX**, and **AZD-K**

Speed - Torque Characteristics (Reference values)

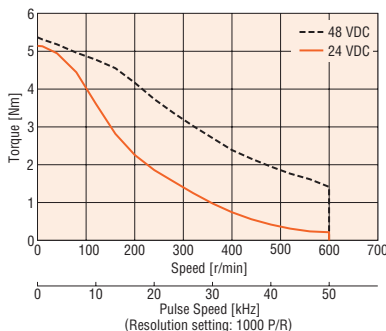
AZM46 Gear Ratio 5



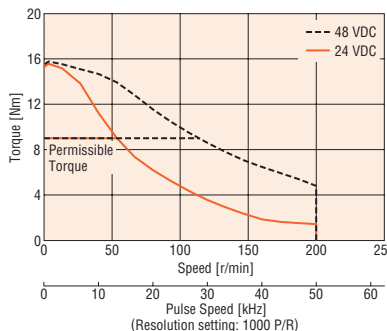
AZM46 Gear Ratio 9



AZM66 Gear Ratio 5



AZM66 Gear Ratio 15



Note

● Data for the speed - torque characteristics is based on Oriental Motor's internal measurement conditions. If the conditions are changed, the characteristics may also change as a result.

● Depending on the driving conditions, a considerable amount of heat may be generated by the motor. To protect the absolute sensor, be sure to keep the temperature of the motor case at 80°C or less. (When conforming to the UL or CSA Standards, the temperature of the motor case must be kept at 75°C or less since the motor is recognized as heat-resistant class A.)

System Configuration

Product Line

Specifications and Characteristics

Dimensions

Connection and Operation

System Configuration

Product Line

Specifications and Characteristics

Dimensions

Connection and Operation

Cables/Peripheral Equipment

Harmonic Geared Type Frame Size 42 mm, 60 mm

Specifications



Motor Product Name	Single Shaft	AZM46AK-HS50	AZM46AK-HS100	AZM66AK-HS50	AZM66AK-HS100	
	With Electromagnetic Brake	AZM46MK-HS50	AZM46MK-HS100	AZM66MK-HS50	AZM66MK-HS100	
Driver Product Name	AZD-K					
Max. Holding Torque	Nm	3.5	5	7	10	
Rotor Inertia	J: kgm ²	72×10 ⁻⁷ (88×10 ⁻⁷)*1		405×10 ⁻⁷ (565×10 ⁻⁷)*1		
Gear Ratio		50	100	50	100	
Resolution	Resolution setting: 1000 P/R	0.0072°/Pulse	0.0036°/Pulse	0.0072°/Pulse	0.0036°/Pulse	
Permissible Torque	Nm	3.5	5	7	10	
Max. Instantaneous Torque*	Nm	8.3	11	*	36	
Holding Torque at Power ON	Nm	3.5	5	7	10	
Motor Standstill	Electromagnetic Brake	Nm	3.5	5	7	10
Permissible Speed Range	r/min	0~70	0~35	0~60	0~30	
Lost Motion (Load torque)	arcmin	1.5 max. (±0.16 Nm)	1.5 max. (±0.20 Nm)	0.7 max. (±0.28 Nm)	0.7 max. (±0.39 Nm)	
Power Supply Input	Check " Driver Specifications " on page 95 for the driver current					
Control Power Supply*2	when combined with a motor.					

- A letter indicating the driver type is specified where the box is located in the product name. Check " List of Combinations " on page 83 for driver product names.
- When the motor is operated from 48 VDC input, as a reference, use an inertial load 10 times the rotor inertia ratio or less and twice the safety factor or more when calculating the acceleration torque (excluding **AZM46**).

* For the geared motor output torque, refer to the speed-torque characteristics.

*1 The value inside the () represents the value when connecting an electromagnetic brake motor.

*2 Excluding **AZD-KD**, **AZD-KX**, and **AZD-K**

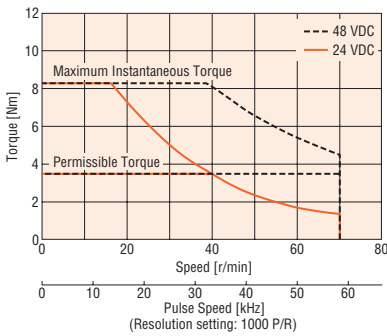
*3 Excluding the 30 mm frame size motor

Note

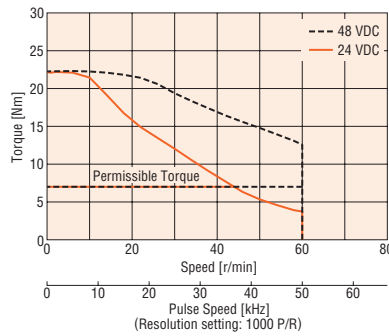
- The rotor inertia represents a sum of the inertia of the harmonic gear converted to motor shaft values.

Speed – Torque Characteristics (Reference values)

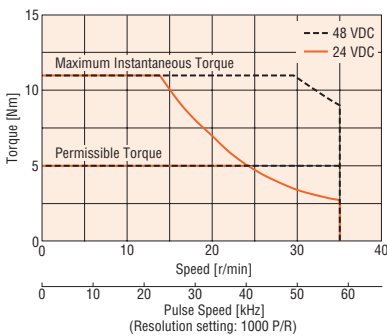
AZM46 Gear Ratio 50



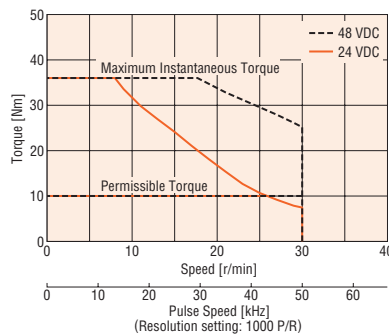
AZM66 Gear Ratio 50



AZM46 Gear Ratio 100



AZM66 Gear Ratio 100



Note

- Data for the speed – torque characteristics is based on Oriental Motor's internal measurement conditions. If the conditions are changed, the characteristics may also change as a result.
- Depending on the driving conditions, a considerable amount of heat may be generated by the motor. To protect the absolute sensor, be sure to keep the temperature of the motor case at 80°C or less. (When conforming to the UL or CSA Standards, the temperature of the motor case must be kept at 75°C or less since the motor is recognized as heat-resistant class A.)

Driver Specifications

Driver Product Name		AZD-KD	AZD-KX AZD-K	AZD-KEP AZD-KED AZD-KPN	
Input Voltage	AZM14, AZM15 AZM24, AZM26	24 VDC±5%			
	AZM46, AZM48 AZM66, AZM69	- 24 VDC±5%*1 - 48 VDC±5%		- 24 VDC±5% - 48 VDC±5%	
Main Power Supply	AZM14	0.5 A		0.4 A	
	AZM15	0.6 A		0.5 A	
	AZM24	1.6 A		1.6 A	
	AZM26	1.6 A		1.5 A	
	AZM46	1.72 A (1.8 A)*2		1.5 A	
	AZM48	2.2 A		2.1 A	
	AZM66	3.55 A (3.8 A)*2		3.3 A	
Control Power Supply	Input Voltage			24 VDC±5%*1	
	Input Current			0.15 A (0.4 A)*3	
Interface	Pulse Input	—	· 2 Points, Photocoupler · Maximum Input Pulse Frequency Line Driver: 1 MHz (50% duty) Open Collector: 250 kHz (50% duty)		
	Control Input	10 Points, Photocoupler	6 Points, Photocoupler		
	Pulse Output		2 Points, Line Driver		
	Control Output		6 Points, Photocoupler and Open-Collector		
	Power Shut Down Signal Input		—	2 Points, Photocoupler	
	Power Shut Down Monitor Output		—	1 Point, Photocoupler and Open-Collector	

*1 If an electromagnetic brake motor is used, it will be 24 VDC±4% when the distance between the motor and driver is extended to 20 m with an Oriental Motor cable.

*2 The value inside the () represents the value when connecting an electromagnetic brake motor.

*3 The value inside the () represents the value when connecting an electromagnetic brake motor. 0.23 A for **AZM46**.

Driver Functions

- Built-in Controller Type, Pulse Input Type with RS-485 Communication, Pulse Input Type, EtherNet/IP compatible, PROFINET compatible

Driver Product Name		AZD-KD	AZD-KX	AZD-K	AZD-KEP AZD-KPN	
Number of Positioning Data Sets		256 Points	256 Points*1		256 Points	
Remote I/O	Input	16 Points		—	16 Points	
	Output	16 Points		—	16 Points	
Setting Tool		Support Software MEXE02				
Coordinates Management Method		Battery-Free Absolute System				
Operation	Product Line	Positioning Operation	<input type="radio"/>	<input type="radio"/>	<input type="radio"/> *1	<input type="radio"/>
		Positioning Push-Motion Operation*2	<input type="radio"/>	<input type="radio"/>	<input type="radio"/> *1	<input type="radio"/>
	Linking	Independent Operation	<input type="radio"/>	<input type="radio"/>	<input type="radio"/> *1	<input type="radio"/>
		Sequential Operation	<input type="radio"/>	<input type="radio"/>	<input type="radio"/> *1	<input type="radio"/>
		Multistep Speed-Change (Configuration Connection)	<input type="radio"/>	<input type="radio"/>	<input type="radio"/> *1	<input type="radio"/>
	Sequence Control	Loop Operation (Repeating)	<input type="radio"/>	<input type="radio"/>	<input type="radio"/> *1	<input type="radio"/>
		Event Jump Operation	<input type="radio"/>	<input type="radio"/>	<input type="radio"/> *1	<input type="radio"/>
Speed Control Operation (Continuous operation)		<input type="radio"/>	<input type="radio"/>	<input type="radio"/> *1	<input type="radio"/>	
Return-To-Home Operation	Return-To-Home Operation	<input type="radio"/>	<input type="radio"/>	<input type="radio"/>	<input type="radio"/>	
	High-Speed Return-to-Home Operation	<input type="radio"/>	<input type="radio"/>	<input type="radio"/>	<input type="radio"/>	
JOG Operation		<input type="radio"/>	<input type="radio"/>	<input type="radio"/>	<input type="radio"/>	
Monitor/Information	Waveform Monitoring		<input type="radio"/>	<input type="radio"/>	<input type="radio"/>	<input type="radio"/>
	Overload Detection		<input type="radio"/>	<input type="radio"/>	<input type="radio"/>	<input type="radio"/>
	Overheat Detection (Motor/Driver)		<input type="radio"/>	<input type="radio"/>	<input type="radio"/>	<input type="radio"/>
	Position/Speed Information		<input type="radio"/>	<input type="radio"/>	<input type="radio"/>	<input type="radio"/>
	Temperature Detection (Motor/Driver)		<input type="radio"/>	<input type="radio"/>	<input type="radio"/>	<input type="radio"/>
	Motor Load Factor		<input type="radio"/>	<input type="radio"/>	<input type="radio"/>	<input type="radio"/>
Distance Traveled/Integrating Distance Traveled		<input type="radio"/>	<input type="radio"/>	<input type="radio"/>	<input type="radio"/>	
Alarm		<input type="radio"/>	<input type="radio"/>	<input type="radio"/>	<input type="radio"/>	

*1 This can be used via the support software **MEXE02**.

*2 Push-motion operation is not used in the **DGII** Series linear & rotary actuators or geared motors.

- EtherCAT Drive Profile compatible

Driver Product Name		AZD-KED
Remote I/O	Input	16 Points
	Output	16 Points
Operation Mode	Profile Position Mode (PP)	
	Profile Speed Mode (PV)	
	Return-to-Home Mode (HM)	
	Cyclic Synchronous Position Mode (CSP)	
	Cyclic Synchronous Speed Mode (CSV)	
Setting Tool	Support Software MEXE02	
Coordinates Management Method	Battery-Free Absolute System	
Monitor/Information	Same as the table above.	
Alarm	<input type="radio"/>	

Communication Specifications

RS-485 Communication

Protocol	Modbus RTU Mode
Electrical Characteristics	EIA-485 Based, Straight Cable Use twisted-pair cables (TIA/EIA-568B CAT5e or better recommended). The max. total extension length is 50 m. *
Communication Mode	Half Duplex and Start-Stop Synchronization (Data: 8 bits, stop bit: 1 bit or 2 bits, parity: none, even, or odd)
Baud Rate	9600 bps/19200 bps/38400 bps/57600 bps/115200 bps/230400 bps are available
Connection Type	Up to 31 units can be connected to a single programmable controller (master equipment).

*If noise generated by the motor cable or power supply cable causes a problem with the specific wiring or layout, shield the cable or use ferrite cores.

EtherNet/IP

Communication Protocol	EtherNet/IP (Complies with CT16)	
Vendor ID	187: Oriental Motor Company	
Device Type	43: Generic Device	
Baud Rate	10/100 Mbps (Autonegotiation)	
Communication Mode	Full Duplex/Half Duplex (Autonegotiation)	
Cable Specifications	Shielded Twisted-Pair (STP) Cable Stroke/Cross, Category 5e min.	
Bytes	Output (Scanner→driver)	40 bytes
	Input (Driver→scanner)	56 bytes
Implicit Communication	Compatible Connections	2
	Connection Type	Exclusive Owner, Input Only
	Communication Cycle (RPI)	1~3200 ms
	Connection Type (Scanner→driver)	Point-to-Point
	Connection Type (Driver→scanner)	Point-to-Point, Multicast
Data Reflection Trigger	Cyclic	
IP Address Setting Method	IP Address Setting Switch, Parameter, DHCP	
Compatible Topologies	Star, Linear, Ring (Device Level Ring)	

EtherCAT

Communication Protocol	IEC 61158 Type12
Physical Layer/Protocol	100 BASE-TX (IEEE 802.3)
Baud Rate	100 Mbps
Communication Cycle	<ul style="list-style-type: none"> Free Run Mode: 1 ms min. SM2 Event Synchronous Mode: 1 ms min. DC Mode: 0.25 ms, 0.5 ms, 1 ms, 2 ms, 3 ms, 4 ms, 5 ms, 6 ms, 7 ms, 8 ms
Communication Port/Connector	RJ45×2 (Shield-compatible) ECAT IN: EtherCAT Input ECAT OUT: EtherCAT Output
Topology	Daisy Chain (Max. 65,535 nodes)
Process Data	Variable PDO Mapping
Sync Manager	<ul style="list-style-type: none"> SM0: Mailbox Output SM1: Mailbox Input SM2: Process Data Output SM3: Process Data Input
Mailbox (CoE)	<ul style="list-style-type: none"> Emergency Messages SDO Requests SDO Responses SDO Information
Synchronous Mode	<ul style="list-style-type: none"> Free Run Mode (Asynchronous) SM2 Event Synchronous Mode DC Mode (SYNC0 Event Synchronous)
Device Profile	IEC 61800-7 CIA402 Drive Profile

PROFINET

Communication Protocol	PROFINET IO Ver.2.4	
Vendor ID	0x33E: ORIENTAL MOTOR	
Baud Rate	100 Mbps (Autonegotiation)	
Communication Mode	Full Duplex (Autonegotiation)	
Cable Specifications	Shielded Twisted-Pair (STP) Cable Stroke/Cross, Category 5e min. Recommended	
Communication Connector	RJ45×2 (Shield-compatible)	
Conformance Class	B	
RT/IRT	RT	
NetLoad Class	I	
Supported Protocols	DCP, LLDP, SNMP, MRP*	
Bytes	Output (Host System→driver)	40 byte
	Input (Driver→host system)	56 byte
Compatible Topologies	Star, Tree, Line, Ring*	

*Specifications will vary according to the driver. Identify them using either the Module Software Version or the driver's date of manufacture.

The Module Software Version can be confirmed on either the **MEXEO2** PROFINET monitor or the host system's setting tool.

- If the Module Software Version is 2.00 or later or the driver's date of manufacture is June 2022 or later
Compatible with MRP and Ring.

- If the Module Software Version is 1.00 or earlier or the driver's date of manufacture is May 2022 or earlier

The driver is certified as a 1-port PROFINET product. The output LLDP/SNMP information is the same regardless of which communication connector it is connected to.
Not compatible with MRP or Ring.

General Specifications

		Motor	Driver
Thermal Class		130 (B) [UL/CSA is certified as compliant with 105 (A)]	—
Insulation Resistance		100 MΩ or more when a 500 VDC megger is applied between the following places: • Case–Motor Winding • Case–Electromagnetic Brake Winding*1	100 MΩ or more when a 500 VDC megger is applied between the following places: • Protective Earth Terminal–Power Supply Terminal
Dielectric Strength		Sufficient to withstand the following for 1 minute: AZM14, AZM15, AZM24, AZM26 • Case–Motor Winding 0.5 kVAC 50 Hz or 60 Hz AZM46, AZM48, AZM66, AZM69 • Case–Motor Winding 1.0 kVAC 50 Hz or 60 Hz • Case–Electromagnetic Brake Winding*1 1.0 kVAC 50 Hz or 60 Hz	—
Operating Environment (In operation)	Ambient Temperature	0~+40°C (Non-freezing)	0~+50°C (Non-freezing)
	Ambient Humidity	85% or less (Non-condensing)	
	Atmosphere	No corrosive gases or dust. The product should not be exposed to water, oil or other liquids.	
Degree of Protection		AZM14, AZM15, AZM24, AZM26, AZM46 *2, AZM48 *2, AZM66 *2, AZM69 *2: IP40 (excluding installation surfaces and connectors) AZM46, AZM48, AZM66, AZM69 : IP66 (excluding installation surfaces and connectors)	IP10
Stop Position Accuracy		AZM14, AZM15, AZM24, AZM26 : ±5 arc minutes (±0.083°) AZM46, AZM48 : ±4 arc minutes (±0.067°) AZM66, AZM69 : ±3 arc minutes (±0.05°)	
Shaft Runout		0.05T.I.R. (mm)*3	—
Concentricity of Installation Pilot to the Shaft		0.075T.I.R. (mm)*3	—
Perpendicularity of Installation Surface to the Shaft		0.075T.I.R. (mm)*3	—
Multiple Rotation Detection Range in Power OFF State		AZM14, AZM15, AZM24, AZM26 : ±450 rotations (900 rotations) AZM46, AZM48, AZM66, AZM69 : ±900 rotations (1800 rotations)	

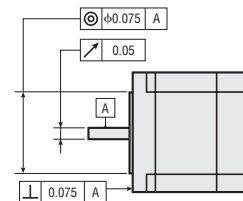
*1 Only for products with an electromagnetic brake.

*2 If the motor cable configuration is horizontal outlet

*3 T. I. R. (Total Indicator Reading): The total dial gauge reading when the measurement section is rotated once around the reference axis center.

Note

- Separate the motor and driver when measuring insulation resistance or performing a dielectric voltage withstand test. Also, do not perform these tests on the absolute sensor part of the motor.



Electromagnetic Brake Specifications

Product Name	AZM46	AZM66	AZM69
Type	Power Off Activated Type		
Power Supply Voltage	24 VDC±5%*		
Power Supply Current	A 0.08	0.25	0.25
Time Rating	Continuous		

*For the type with an electromagnetic brake, a 24 VDC±4% specification applies if the wiring distance between the motor and driver is extended to 20 m using a cable.

Rotation Direction

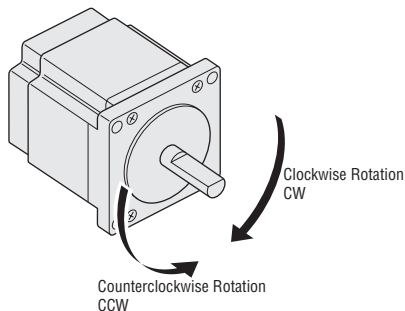
This indicates the rotation direction when viewed from the output shaft side of the motor.

The rotation direction of the output gear shaft relative to the standard type motor output shaft varies depending on the gear type and gear ratio.

Please check the following table.

Type	Gear Ratio	Rotation Direction when Viewed from the Output Shaft Side of the Motor
TS Geared Type	3.6, 7.2, 10	Same Direction
	20, 30	Opposite Direction
FC Geared Type	Total Gear Ratio	Same Direction
PS Geared Type		
HPG Geared Type	Total Gear Ratio	Opposite Direction
Harmonic Geared Type		

● Standard Type Motor



System Configuration

Product Line

Specifications and Characteristics

Dimensions

Connection and Operation

System Configuration

Product Line

Specifications and Characteristics

Dimensions

Connection and Operation

Cables/Peripheral Equipment

Motor Installation

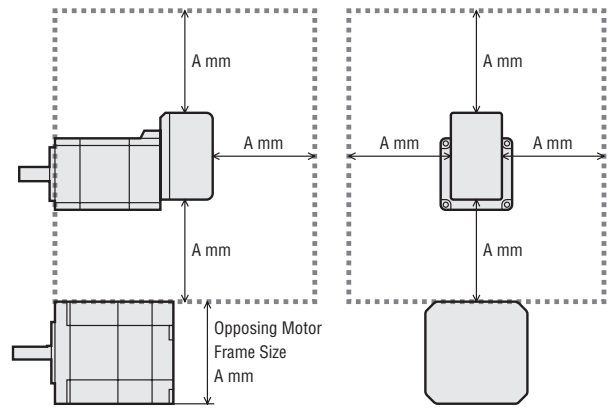
When installing, pay particular attention to the installation location, because the absolute sensor can easily be affected by magnetic force.

Installing a Motor with a Frame Size of 28 mm or Less

When installing the motor in parallel, leave a buffer space that is equal to or greater than the other motor's size (frame size) both horizontally and vertically.

● Reference

Other Motor	A
Frame Size 20 mm	20
Frame Size 28 mm	28
Frame Size 42 mm	42
Frame Size 60 mm	60



● Leave a buffer space equal to or greater than the motor's frame size (A mm).

Installing a Motor in an Environment with a Field System

Ensure that the magnetic flux density of the absolute sensor surface does not exceed the value in the table.

Motor Frame Size	Magnetic Flux Density
28 mm max.	2 mT*
42 mm min.	10 mT

*If it exceeds 1 mT but is 2 mT or less, use with the operating ambient temperature above 20°C but 40°C or less.

Permissible Radial Load and Permissible Axial Load

Unit: N

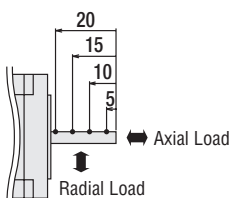
Type	Motor Frame Size	Product Name	Gear Ratio	Permissible Radial Load					Permissible Axial Load			
				Distance from Shaft End mm								
				0	5	10	15	20				
Standard Type	20 mm	AZM14, AZM15	-	12	15	-	-	-	3			
	28 mm	AZM24, AZM26		25	34	52	-	-		5		
	42 mm	AZM46		35	44	58	85	-				
		AZM48		30	35	44	58	85				
TS Geared Type	60 mm	AZM66, AZM69	3.6, 7.2, 10	90	100	130	180	270	30			
	42 mm	AZM46		20, 30	20	30	40	50		-		
			40	40	50	60	70	-	15			
	60 mm	AZM66	3.6, 7.2, 10	120	135	150	165	180		40		
FC Geared Type	42 mm	AZM46	7.2, 10, 20, 30	170	185	200	215	230	100			
				60 mm	AZM66	180	200	220		250	-	
PS Geared Type	28 mm	AZM24	7.2, 10	270	290	310	330	350	200			
				42 mm	AZM46	45	60	80		100	-	
						5	70	80		95	120	-
						7.2	80	90		110	140	-
						10	85	100		120	150	-
						25	120	140		170	210	-
	36	130	160			190	240	-				
	60 mm	AZM66	50	150	170	210	260	-				
			5	170	200	230	270	320				
			7.2	200	220	260	310	370				
			10	220	250	290	350	410				
			25	300	340	400	470	560				
36			340	380	450	530	630					
HPG Geared Type	40 mm	AZM46	50, 100	5	380	430	500	600	700	450		
				9	150	170	190	230	270			
	60 mm	AZM66		5	180	200	230	270	320			
				15	250	270	300	330	360			
Harmonic Geared Type	30 mm	AZM24	50, 100	360	380	420	460	510	980			
	42 mm	AZM46		100	135	175	250	-	140			
	60 mm	AZM66		180	220	270	360	510	220			

● The product names are listed such that the product names are distinguishable.

● The PS geared type and HPG geared type have a full lifespan of 20,000 hours when either the permissible radial load or the permissible axial load is applied. For the life of gearhead, please contact the nearest Oriental Motor sales office, or visit the Oriental Motor website.

Radial Load and Axial Load

Distance from Shaft End [mm]



Permissible Moment Load

If an eccentric load is applied to the output flange-installation surface, load moment acts on the bearing. Confirm before use that the axial load and load moment are within specification with the following formulas.

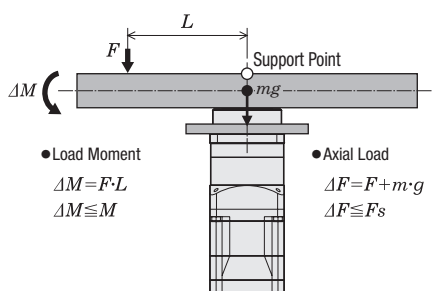
HPG Geared Type Flange Output Type

Product Name	Gear Ratio	Permissible Axial Load [N]	Permissible Moment Load [Nm]	Constant a [m]
AZM46	5	430	4.9	0.006
	9	510	5.9	
AZM66	5	700	12.0	0.011
	15	980	17.2	

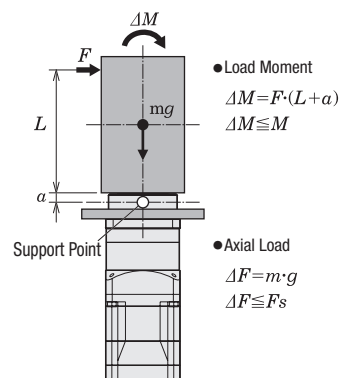
m : Load mass (kg)
 g : Gravitational acceleration (m/s²)
 F : External force (N)
 L : Overhung distance (m)
 a : Constant (m)
 ΔF : Load applied to output flange face (N)
 F_s : Permissible axial load (N)
 ΔM : Load moment (Nm)
 M : Permissible moment load (Nm)

The load moment can be calculated with the following formula.

Example 1: External force F (N) applied to the overhung position L (m) in a horizontal direction from the center of the output flange



Example 2: External force F (N) applied to the overhung position L (m) in a vertical direction from the center of the output flange

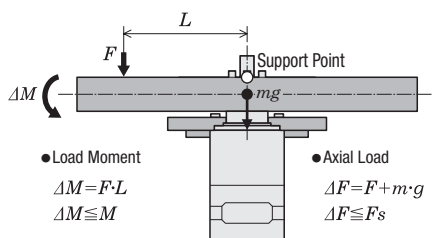


Harmonic Geared Type

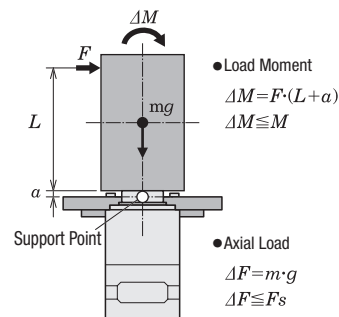
Motor Frame Size	Permissible Axial Load [N]	Permissible Moment Load [Nm]	Constant a [m]
30 mm	140	2.9	0.0073
42 mm	220	5.6	0.009
60 mm	450	11.6	0.0114

The permissible moment load can be calculated with the following formula.

Example 1: External force F (N) applied to the overhung position L (m) in a horizontal direction from the center of the output flange



Example 2: External force F (N) applied to the overhung position L (m) in a vertical direction from the center of the output flange



Harmonic Geared Type Accuracy

→ Page 41

Load Torque – Driver Input Current Characteristics

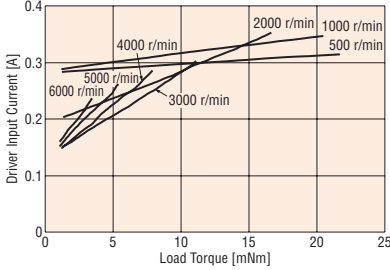
This is the relationship between load torque and driver input current at various speeds under actual operation conditions. Due to these characteristics, it is possible to estimate the power supply capacity required to use the multi-axis. For geared types, use the speed and torque at the motor shaft.

$$\text{Motor Shaft Speed} = \text{Output Gear Shaft Speed} \times \text{Gear Ratio} \text{ [r/min]}$$

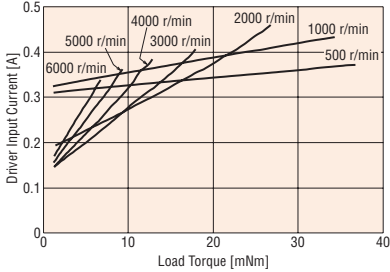
$$\text{Motor Shaft Torque} = \frac{\text{Output Gear Shaft Torque}}{\text{Gear Ratio}} \text{ [N}\cdot\text{m]}$$

24 VDC

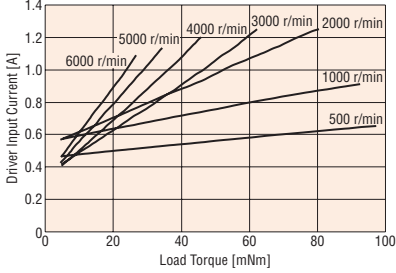
AZM14



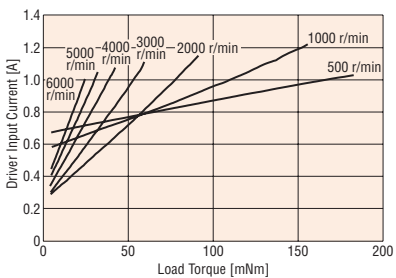
AZM15



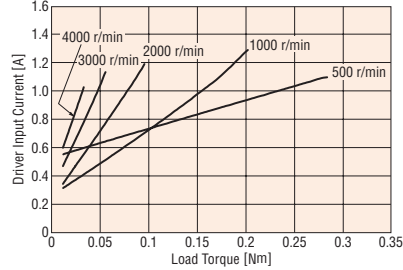
AZM24



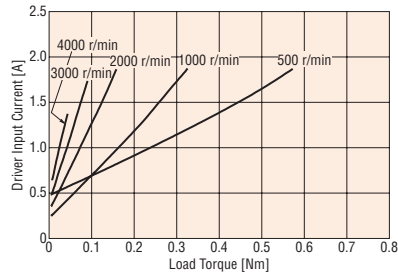
AZM26



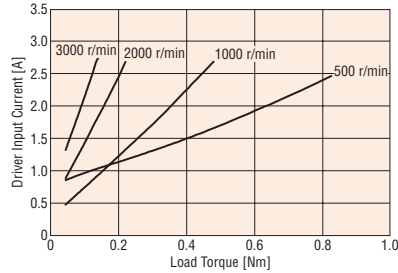
AZM46



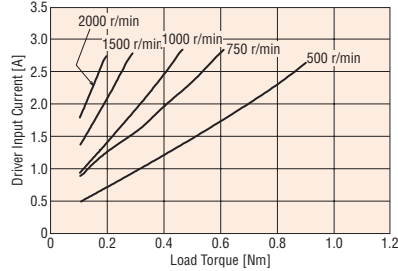
AZM48



AZM66

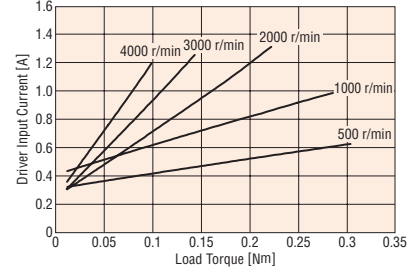


AZM69

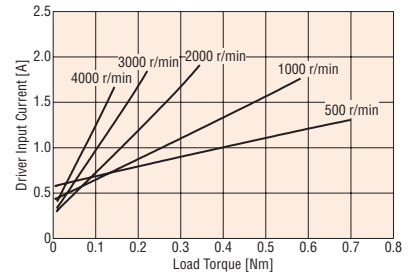


48 VDC

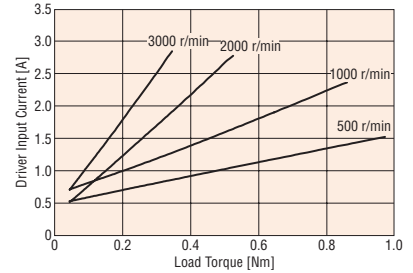
AZM46



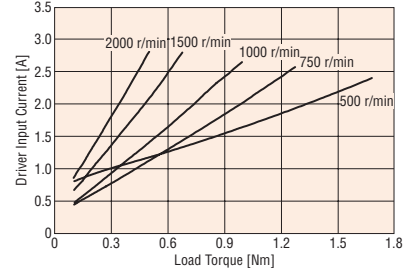
AZM48



AZM66



AZM69



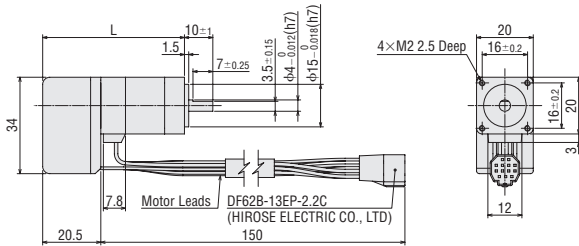
Dimensions (Unit = mm)

● Motor

◇ Standard Type

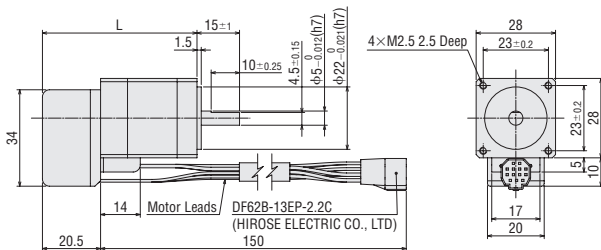
Frame Size 20 mm

Product Name	L	Mass [kg]
AZM14AK	50	0.08
AZM15AK	60	0.1



Frame Size 28 mm

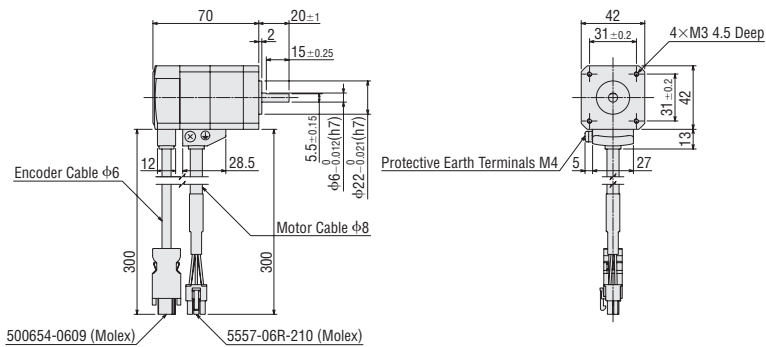
Product Name	L	Mass [kg]
AZM24AK	54.5	0.15
AZM26AK	74	0.24



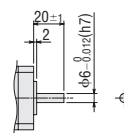
Frame Size 42 mm

Motor Shaft Type	Product Name	Mass [kg]
Round Shaft with Flat	AZM46AK	0.44
Straight Type	AZM46AOK	

Round Shaft with Flat



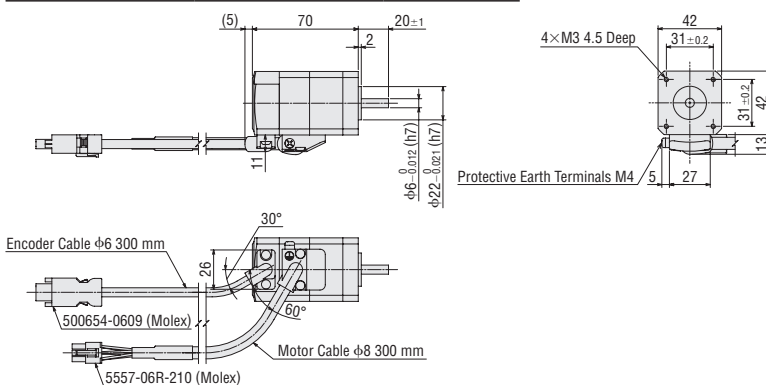
Straight Type



Frame Size 42 mm

Cable Outlet Horizontal Direction

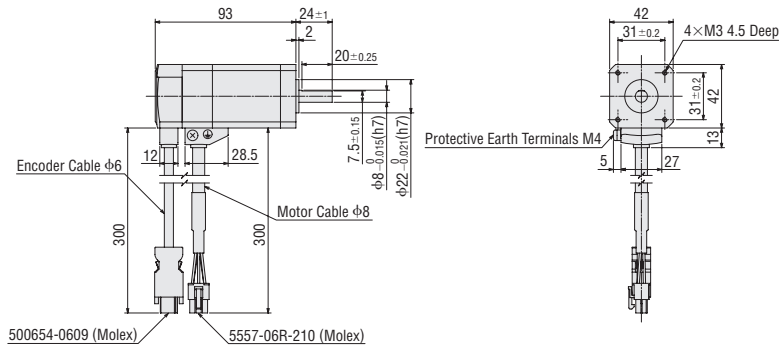
Motor Shaft Type	Product Name	Mass [kg]
Straight Type	AZM46AOKF	0.44



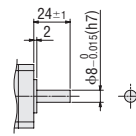
Frame Size 42 mm

Motor Shaft Type	Product Name	Mass [kg]
Round Shaft with Flat	AZM48AK	0.68
Straight Type	AZM48AOK	
With Key	AZM48A1K	

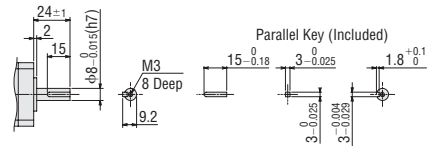
Round Shaft with Flat



Straight Type



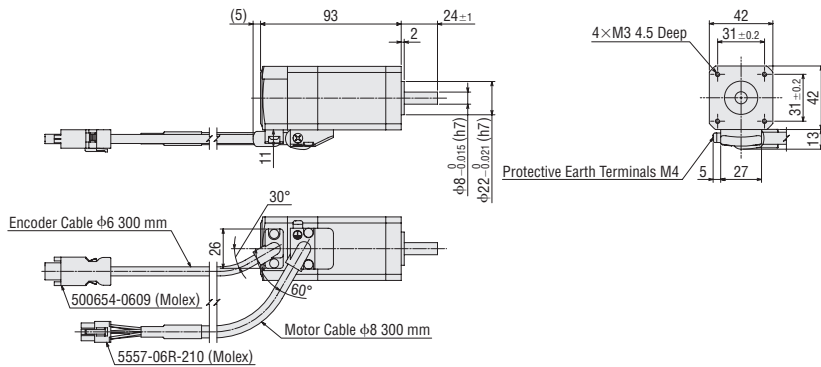
With Key



Frame Size 42 mm

Cable Outlet Horizontal Direction

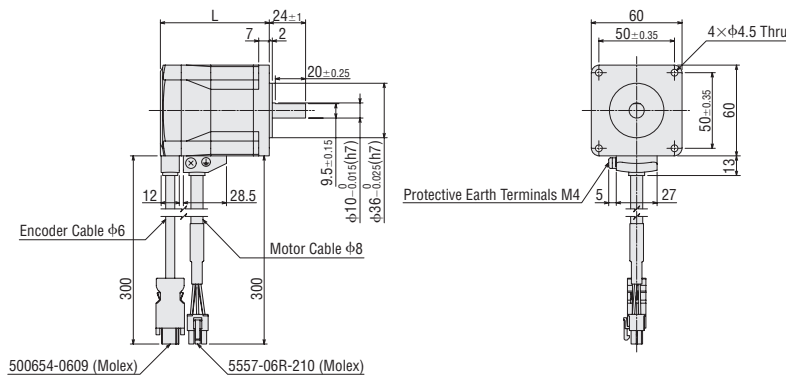
Motor Shaft Type	Product Name	Mass [kg]
Straight Type	AZM48AOKF	0.68



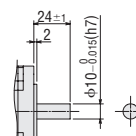
Frame Size 60 mm

Motor Shaft Type	Product Name	L	Mass [kg]
Round Shaft with Flat	AZM66AK	72	0.91
Straight Type	AZM66AOK		
With Key	AZM66A1K		
Round Shaft with Flat	AZM69AK	97.5	1.4
Straight Type	AZM69AOK		
With Key	AZM69A1K		

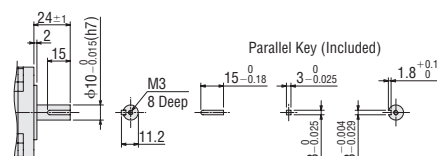
Round Shaft with Flat



Straight Type

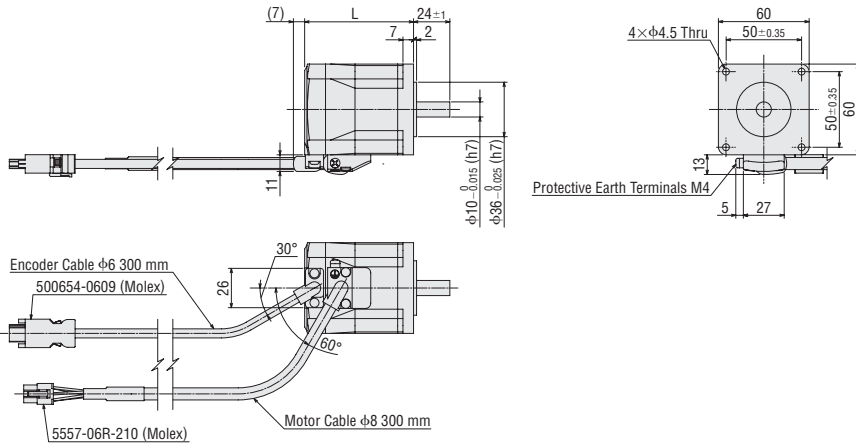


With Key



Frame Size 60 mm Cable Outlet Horizontal Direction

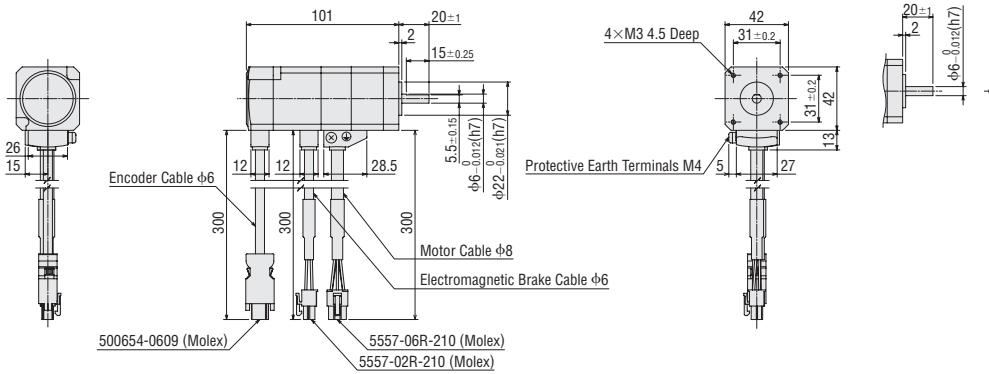
Motor Shaft Type	Product Name	L	Mass [kg]
Straight Type	AZM66AOKF	72	0.91
	AZM69AOKF	97.5	1.4



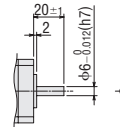
◇ Standard Type with an Electromagnetic Brake
Frame Size 42 mm

Motor Shaft Type	Product Name	Mass [kg]
Round Shaft with Flat	AZM46MK	0.61
Straight Type	AZM46MOK	

Round Shaft with Flat

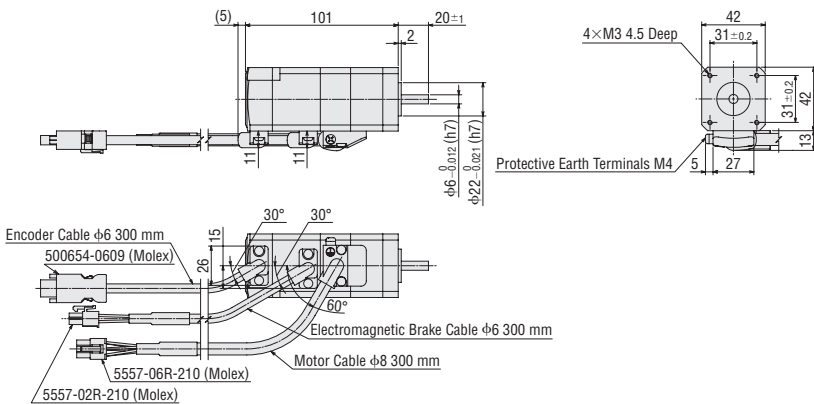


Straight Type



Frame Size 42 mm
Cable Outlet Horizontal Direction

Motor Shaft Type	Product Name	Mass [kg]
Straight Type	AZM46MOKF	0.61

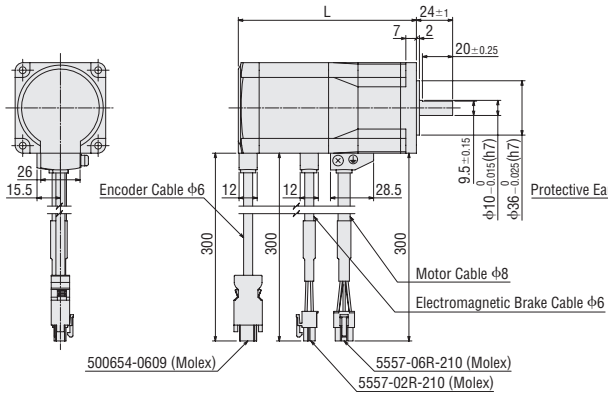


System Configuration
Product Line
Specifications and Characteristics
Dimensions
Connection and Operation
System Configuration
Product Line
Specifications and Characteristics
Dimensions
Connection and Operation
Cables/ Peripheral Equipment

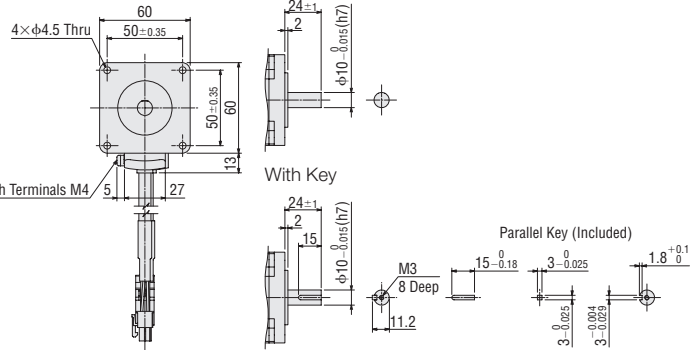
Frame Size 60 mm

Motor Shaft Type	Product Name	L	Mass [kg]
Round Shaft with Flat	AZM66MK	118	1.3
Straight Type	AZM66MOK		
With Key	AZM66M1K		
Round Shaft with Flat	AZM69MK	143.5	1.8
Straight Type	AZM69MOK		
With Key	AZM69M1K		

Round Shaft with Flat

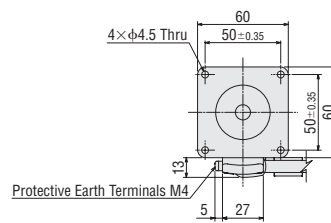
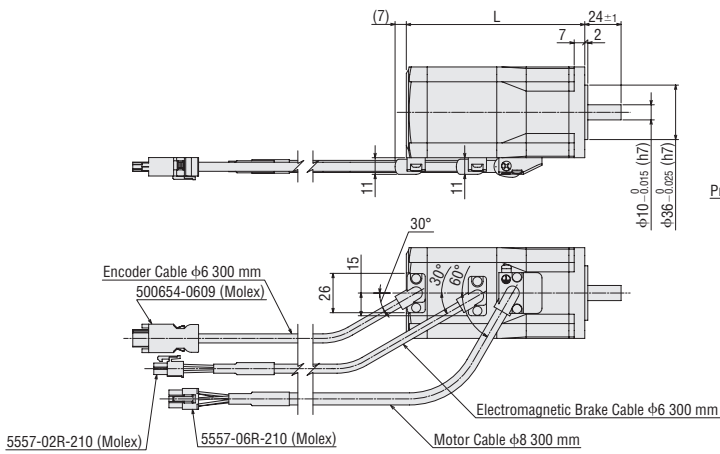


Straight Type



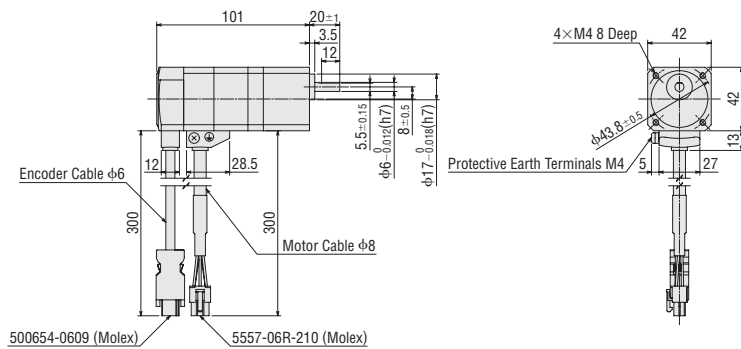
Frame Size 60 mm Cable Outlet Horizontal Direction

Motor Shaft Type	Product Name	L	Mass [kg]
Straight Type	AZM66MOKF	118	1.3
	AZM69MOKF	143.5	1.8



◇ **TS Geared Type**
Frame Size 42 mm

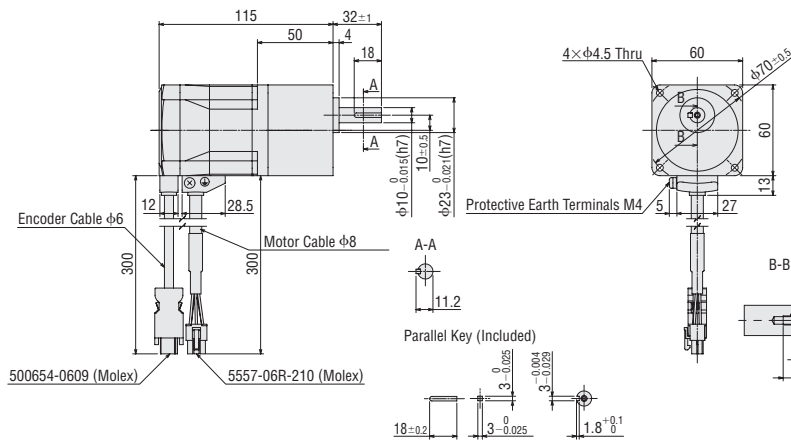
Cable Outlet Direction	Product Name	Gear Ratio	Mass [kg]
Down	AZM46AK-TS ■	3.6, 7.2, 10, 20, 30	0.59
Right	AZM46AK-TS ■ R		
Up	AZM46AK-TS ■ U		
Left	AZM46AK-TS ■ L		



Frame Size 60 mm

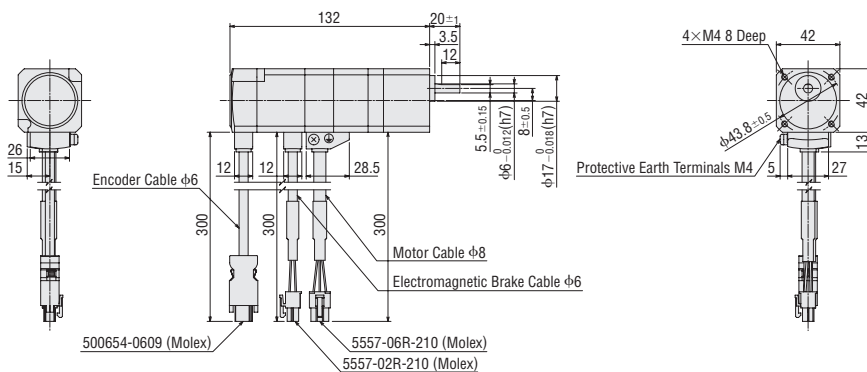
Cable Outlet Direction	Product Name	Gear Ratio	Mass [kg]
Down	AZM66AK-TS ■	3.6, 7.2, 10, 20, 30	1.3
Right	AZM66AK-TS ■ R		
Up	AZM66AK-TS ■ U		
Left	AZM66AK-TS ■ L		

● Installation Screws: M4×60 P0.7 (4 screws included)



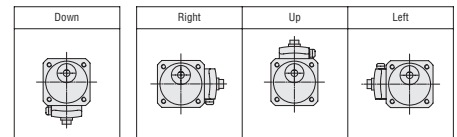
◇ **TS Geared Type with Electromagnetic Brake**
Frame Size 42 mm

Cable Outlet Direction	Product Name	Gear Ratio	Mass [kg]
Down	AZM46MK-TS ■	3.6, 7.2, 10, 20, 30	0.76
Right	AZM46MK-TS ■ R		
Up	AZM46MK-TS ■ U		
Left	AZM46MK-TS ■ L		

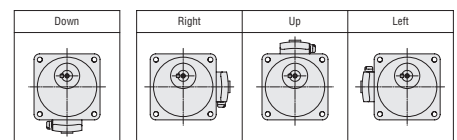


● A number indicating the gear ratio is specified where the box ■ is located in the product name.

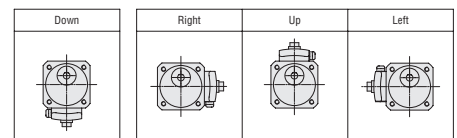
● Cable Outlet Direction



● Cable Outlet Direction



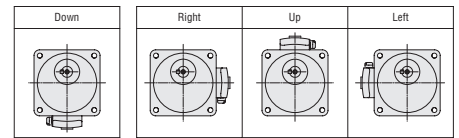
● Cable Outlet Direction



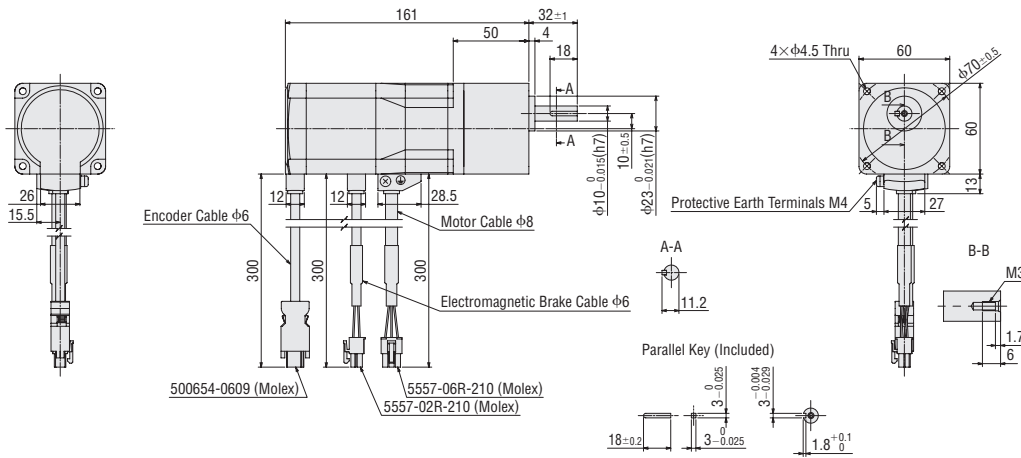
Frame Size 60 mm

Cable Outlet Direction	Product Name	Gear Ratio	Mass [kg]
Down	AZM66MK-TS 	3.6, 7.2, 10, 20, 30	1.7
Right	AZM66MK-TS R		
Up	AZM66MK-TS U		
Left	AZM66MK-TS L		

● Cable Outlet Direction



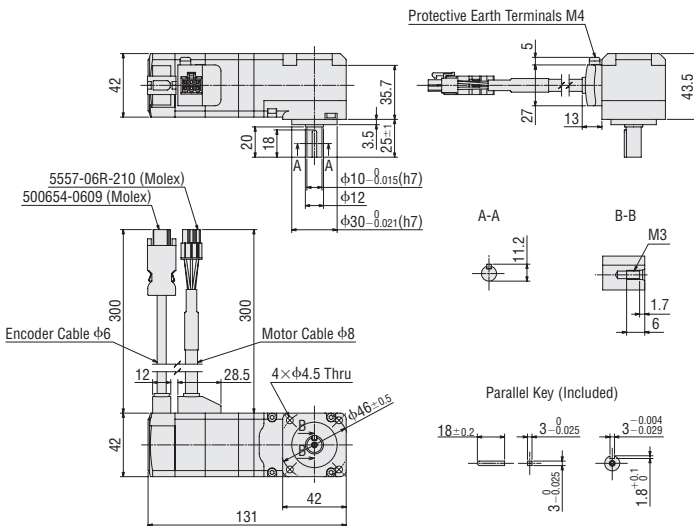
● Installation Screws: M4×60 P0.7 (4 screws included)



◇FC Geared Type

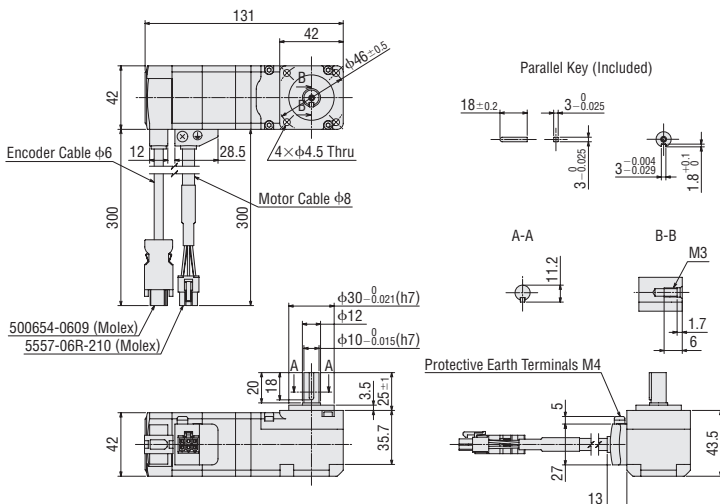
Frame Size 42 mm Cable Outlet Direction Up

Product Name	Gear Ratio	Mass [kg]
AZM46AK-FC UA	7.2, 10, 20, 30	0.79



Frame Size 42 mm Cable Outlet Direction Down

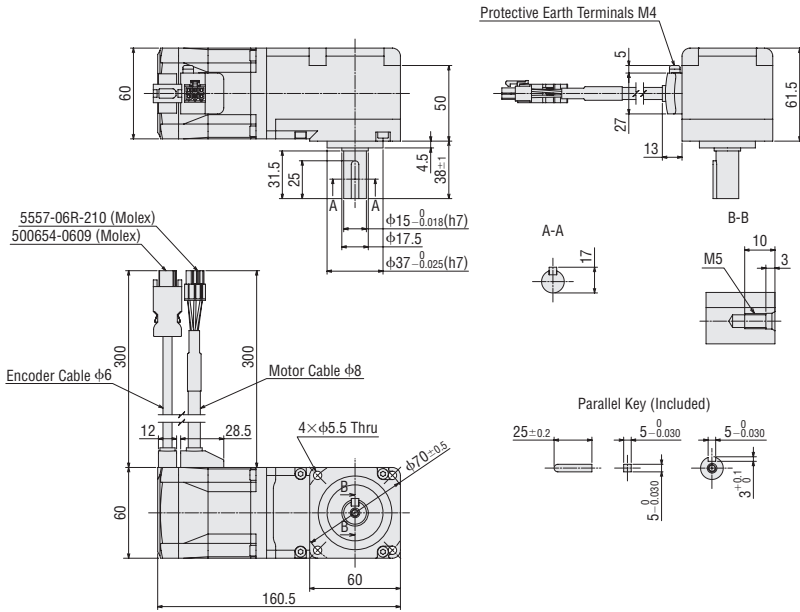
Product Name	Gear Ratio	Mass [kg]
AZM46AK-FC DA	7.2, 10, 20, 30	0.79



● A number indicating the gear ratio is specified where the box is located in the product name.

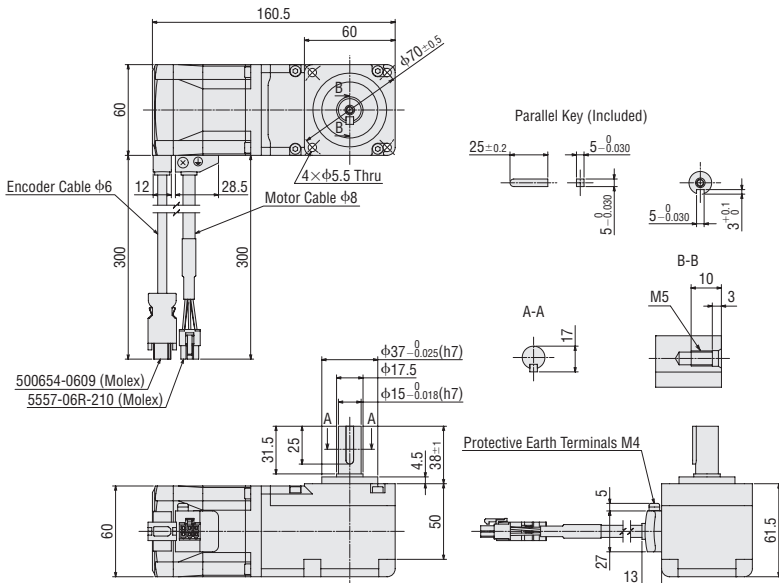
Frame Size 60 mm Cable Outlet Direction Up

Product Name	Gear Ratio	Mass [kg]
AZM66AK-FC■UA	7.2, 10, 20, 30	1.8



Frame Size 60 mm Cable Outlet Direction Down

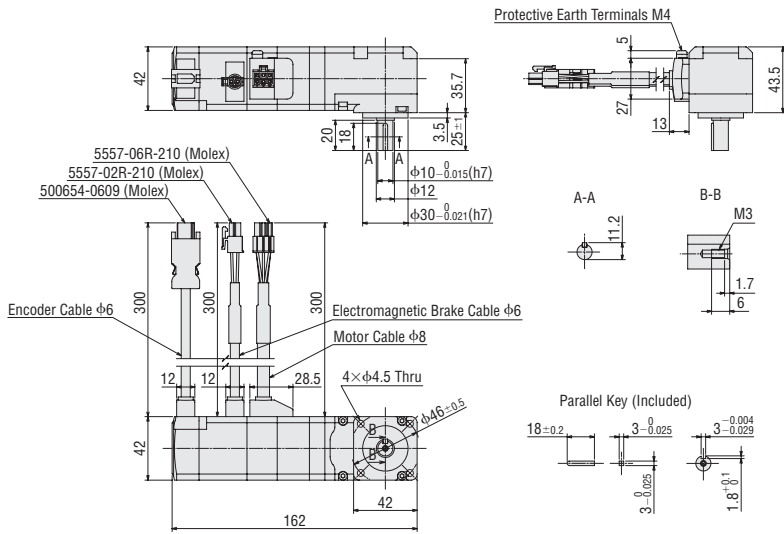
Product Name	Gear Ratio	Mass [kg]
AZM66AK-FC■DA	7.2, 10, 20, 30	1.8



● A number indicating the gear ratio is specified where the box ■ is located in the product name.

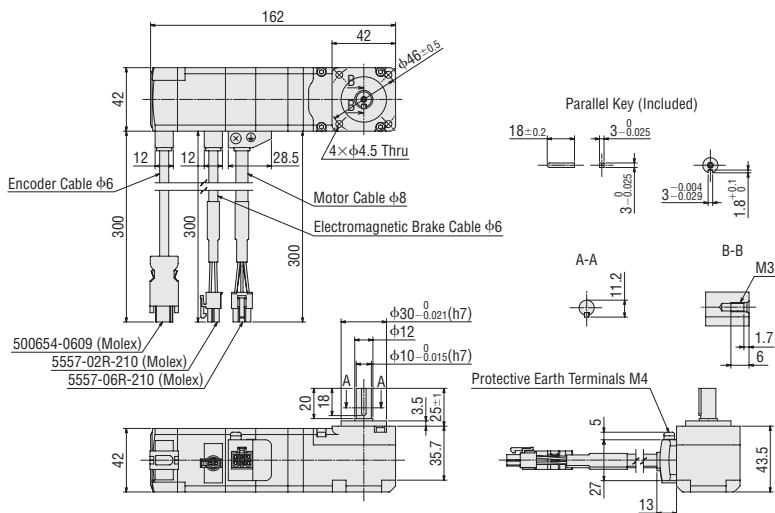
◇FC Geared Type with Electromagnetic Brake
 Frame Size 42 mm Cable Outlet Direction Up

Product Name	Gear Ratio	Mass [kg]
AZM46MK-FC ■ UA	7.2, 10, 20, 30	0.96



Frame Size 42 mm Cable Outlet Direction Down

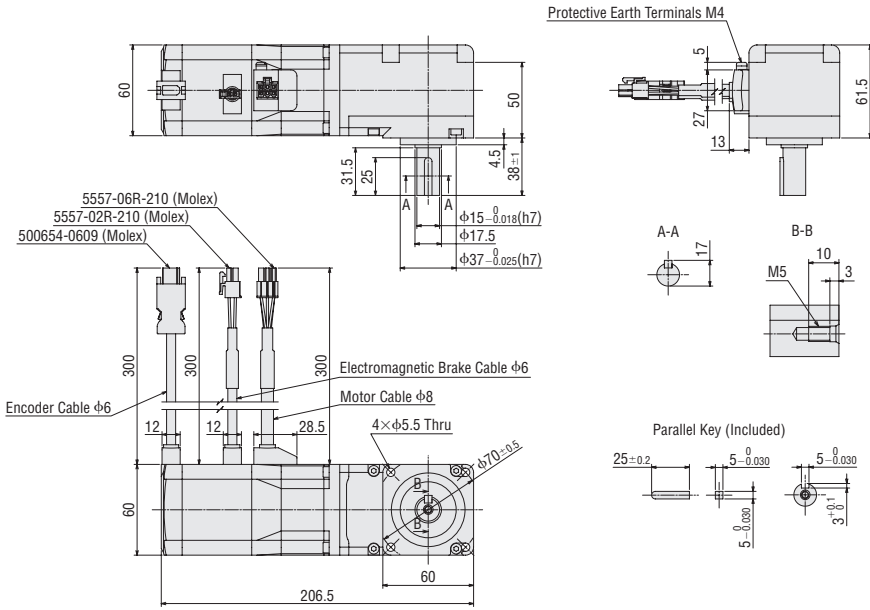
Product Name	Gear Ratio	Mass [kg]
AZM46MK-FC ■ DA	7.2, 10, 20, 30	0.96



● A number indicating the gear ratio is specified where the box ■ is located in the product name.

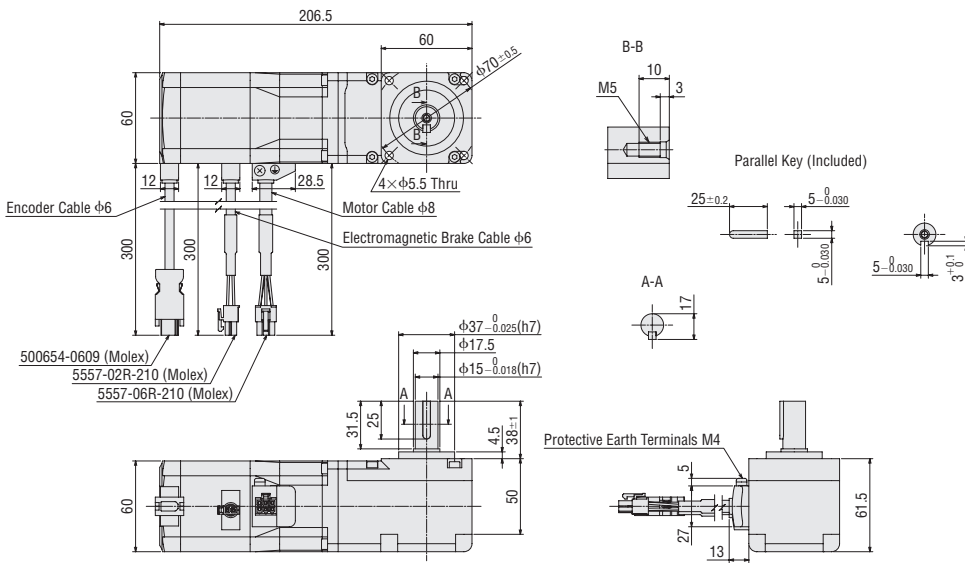
Frame Size 60 mm Cable Outlet Direction Up

Product Name	Gear Ratio	Mass [kg]
AZM66MK-FC ■ UA	7.2, 10, 20, 30	2.2



Frame Size 60 mm Cable Outlet Direction Down

Product Name	Gear Ratio	Mass [kg]
AZM66MK-FC ■ DA	7.2, 10, 20, 30	2.2

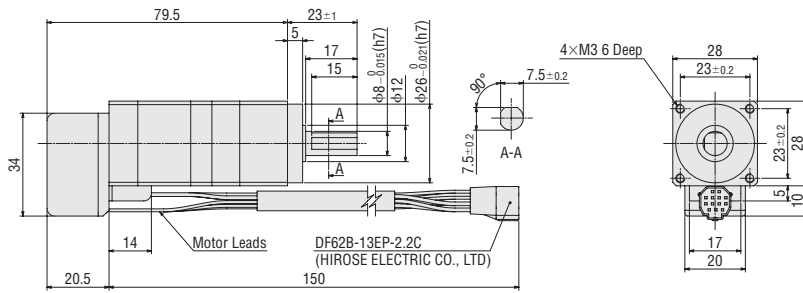


● A number indicating the gear ratio is specified where the box ■ is located in the product name.

◇PS Geared Type

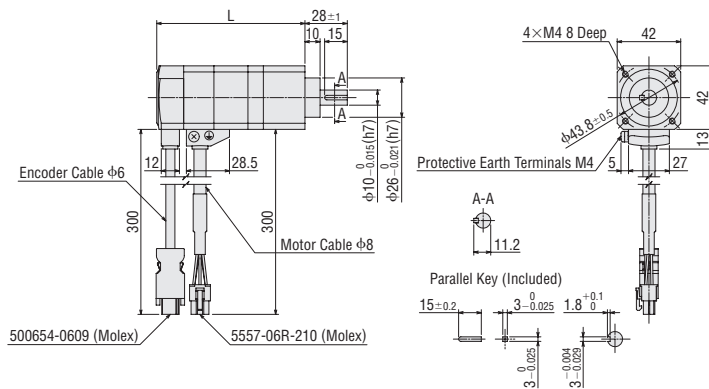
Frame Size 28 mm

Product Name	Gear Ratio	Mass [kg]
AZM24AK-PS ■	7.2, 10	0.25



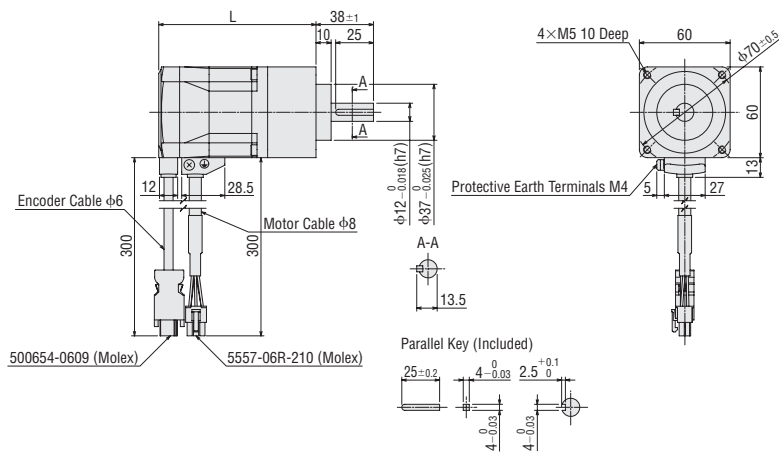
Frame Size 42 mm

Product Name	Gear Ratio	L	Mass [kg]
AZM46AK-PS ■	5, 7.2, 10	98	0.64
	25, 36, 50	121.5	0.79



Frame Size 60 mm

Product Name	Gear Ratio	L	Mass [kg]
AZM66AK-PS ■	5, 7.2, 10	104	1.3
	25, 36, 50	124	1.6

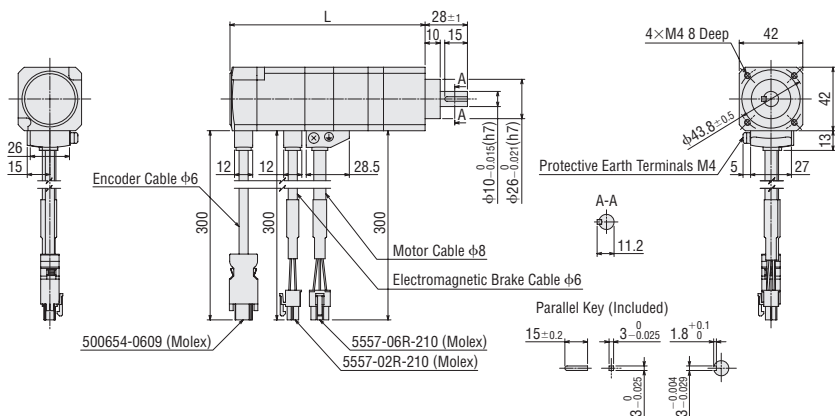


● A number indicating the gear ratio is specified where the box ■ is located in the product name.

◆PS Geared Type with Electromagnetic Brake

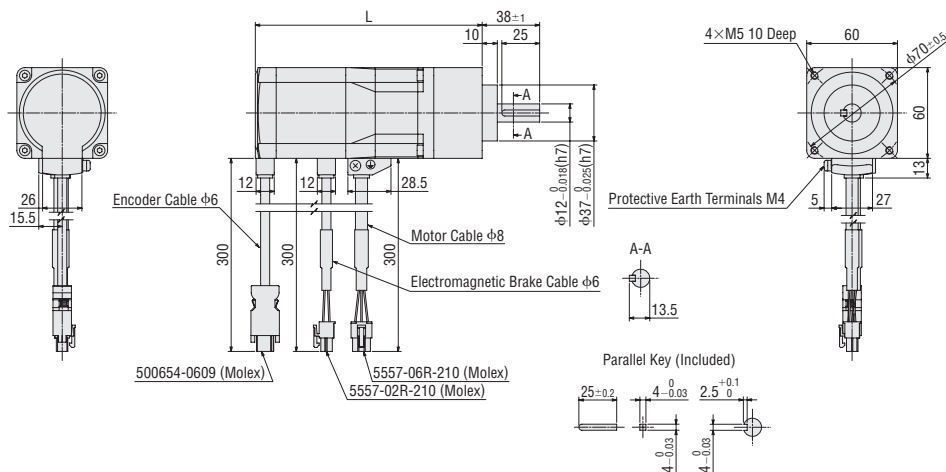
Frame Size 42 mm

Product Name	Gear Ratio	L	Mass [kg]
AZM46MK-PS ■	5, 7.2, 10	129	0.81
	25, 36, 50	152	0.96



Frame Size 60 mm

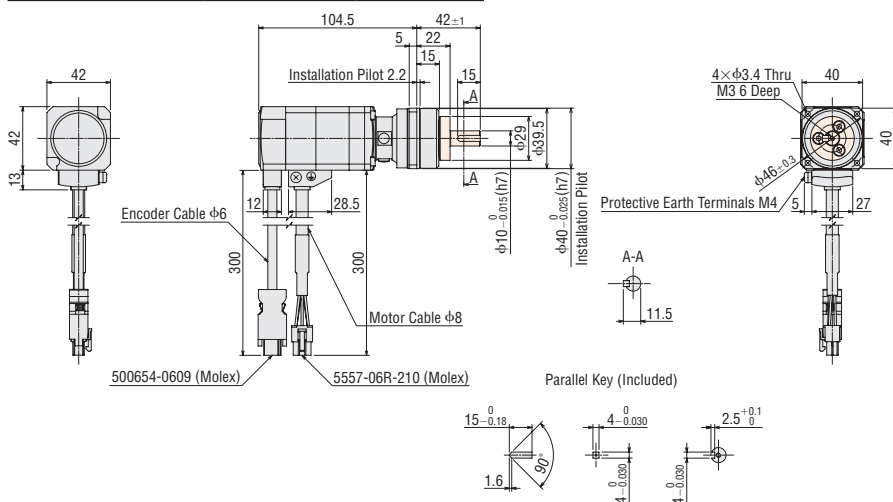
Product Name	Gear Ratio	L	Mass [kg]
AZM66MK-PS ■	5, 7.2, 10	150	1.7
	25, 36, 50	170	2.0



◆HPG Geared Type Shaft Output Type

Frame Size 40 mm

Product Name	Gear Ratio	Mass [kg]
AZM46AK-HP ■	5, 9	0.71

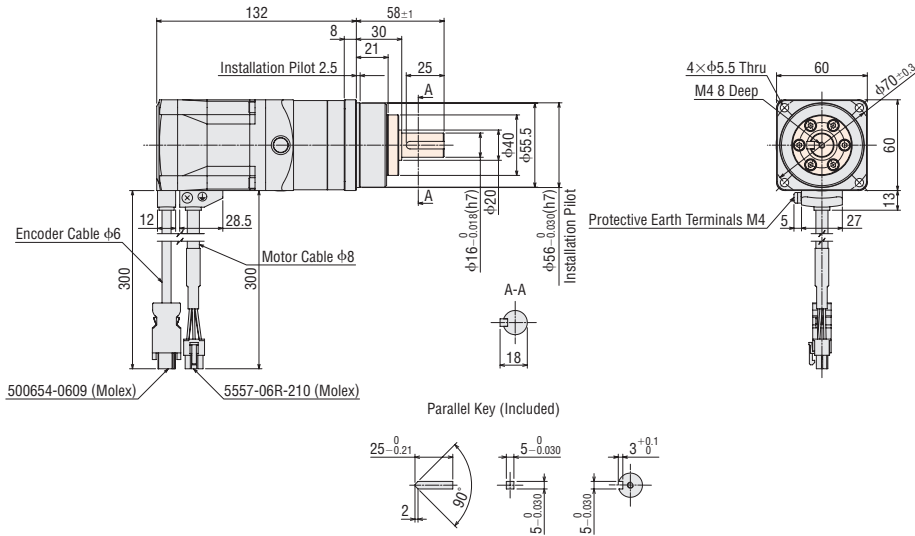


● The areas in the dimensions are rotating parts.

● A number indicating the gear ratio is specified where the box ■ is located in the product name.

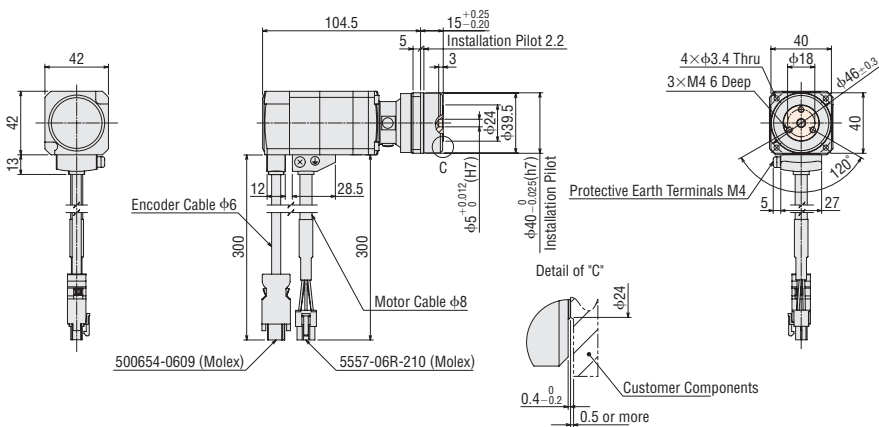
Frame Size 60 mm

Product Name	Gear Ratio	Mass [kg]
AZM66AK-HP ■	5, 15	1.9



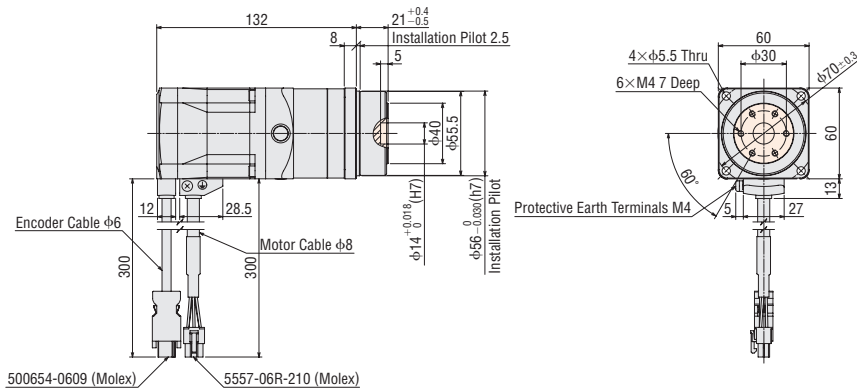
◇ HPG Geared Type Flange Output Type
Frame Size 40 mm

Product Name	Gear Ratio	Mass [kg]
AZM46AK-HP ■ F	5, 9	0.66



Frame Size 60 mm

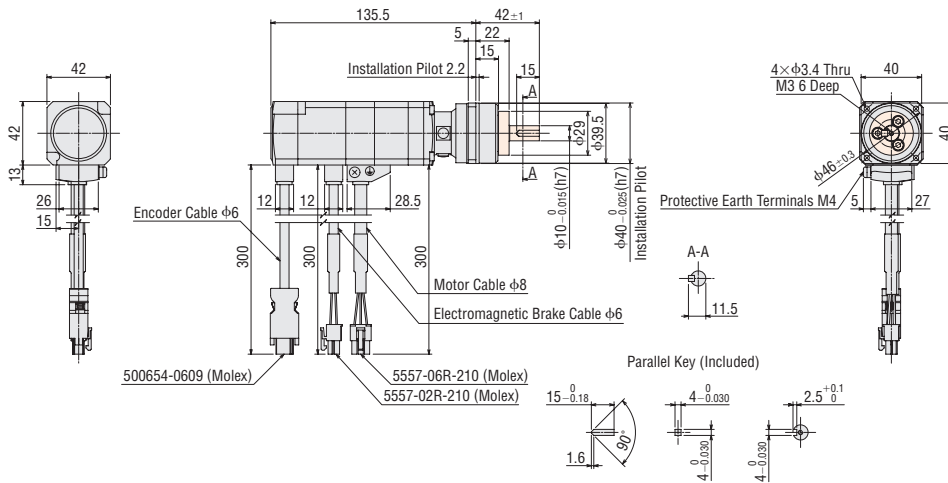
Product Name	Gear Ratio	Mass [kg]
AZM66AK-HP ■ F	5, 15	1.8



- The areas in the dimensions are rotating parts.
- A number indicating the gear ratio is specified where the box ■ is located in the product name.

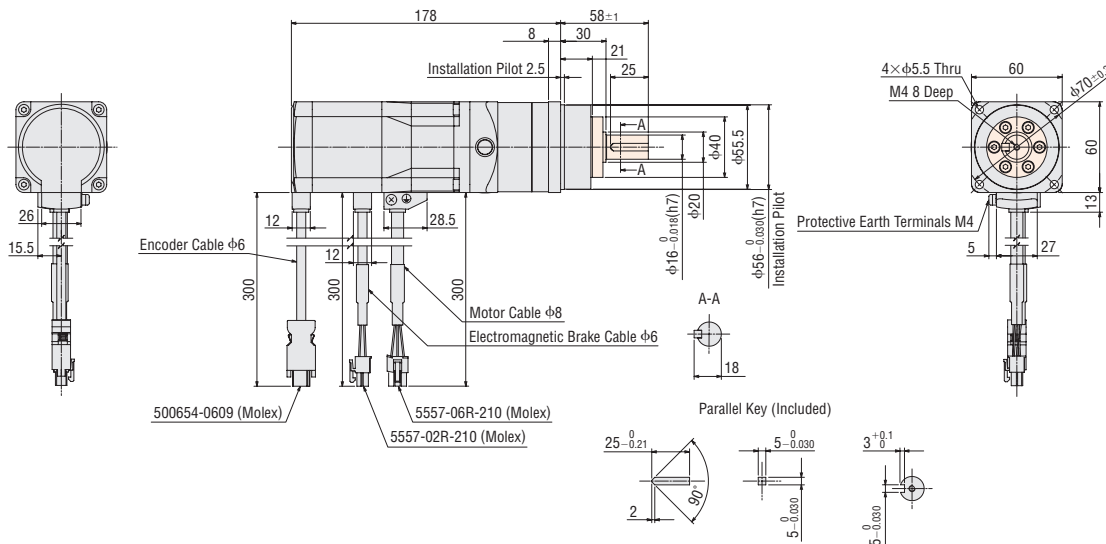
◇ **HPG Geared Type with Electromagnetic Brake Shaft Output Type**
Frame Size 40 mm

Product Name	Gear Ratio	Mass [kg]
AZM46MK-HP ■	5, 9	0.88



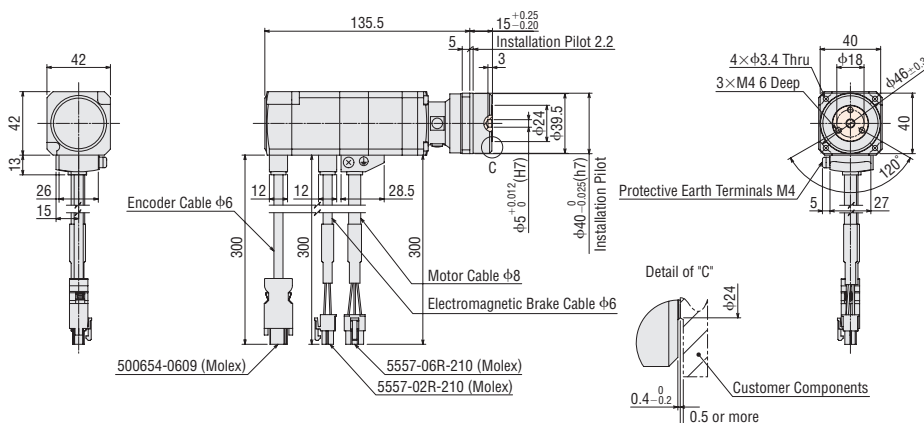
Frame Size 60 mm

Product Name	Gear Ratio	Mass [kg]
AZM66MK-HP ■	5, 15	2.3



◇ **HPG Geared Type with Electromagnetic Brake Flange Output Type**
Frame Size 40 mm

Product Name	Gear Ratio	Mass [kg]
AZM46MK-HP ■F	5, 9	0.83

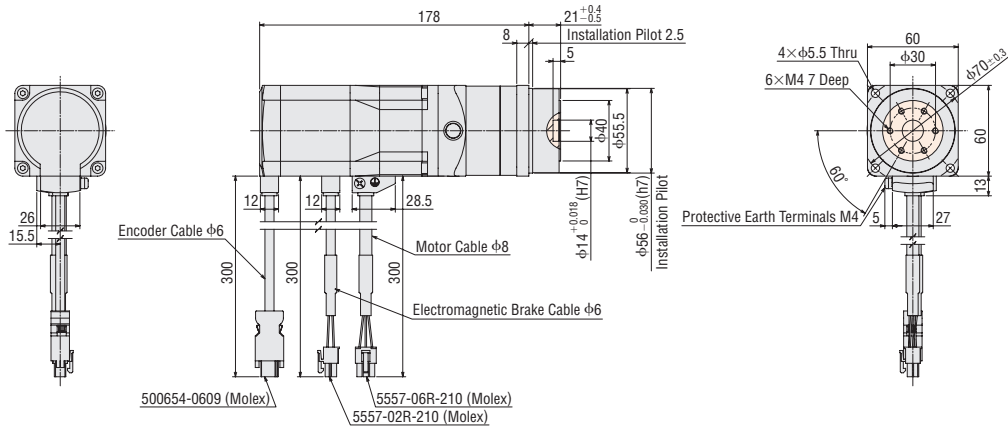


- The areas in the dimensions are rotating parts.
- A number indicating the gear ratio is specified where the box ■ is located in the product name.

System Configuration
 Product Line
 Specifications and Characteristics
 AC Input
 Dimensions
 Connection and Operation
 System Configuration
 Product Line
 Specifications and Characteristics
 DC Input
 Dimensions
 Connection and Operation
 Cables/ Peripheral Equipment

Frame Size 60 mm

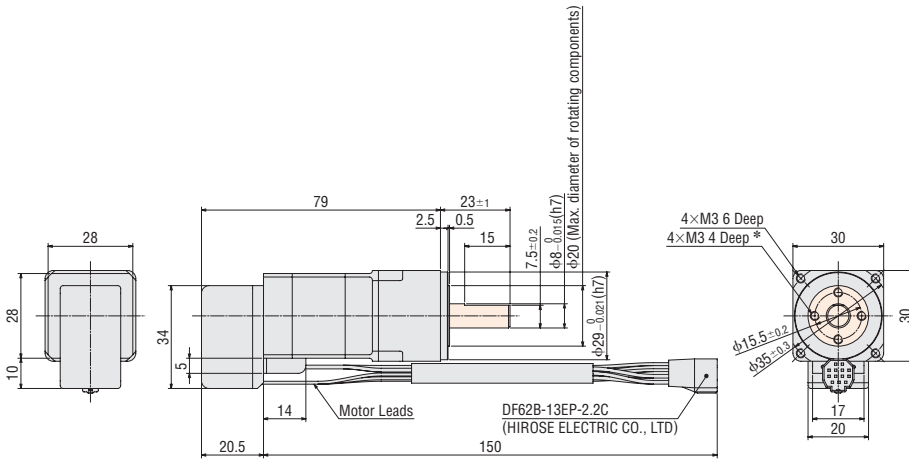
Product Name	Gear Ratio	Mass [kg]
AZM66MK-HP ■F	5, 15	2.2



◇ Harmonic Geared Type

Frame Size 30 mm

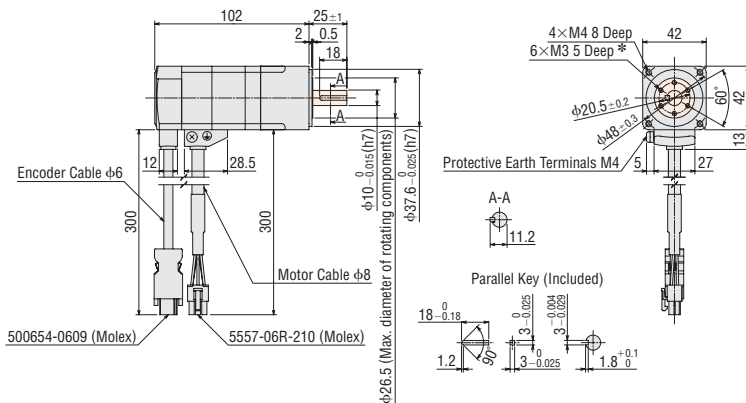
Product Name	Gear Ratio	Mass [kg]
AZM24AK-HS ■	50, 100	0.24



*The position of the output shaft relative to the screw holes on the rotating part cannot be specified. Adjust the position via the size of the screw holes on the load installation surface.

Frame Size 42 mm

Product Name	Gear Ratio	Mass [kg]
AZM46AK-HS ■	50, 100	0.65



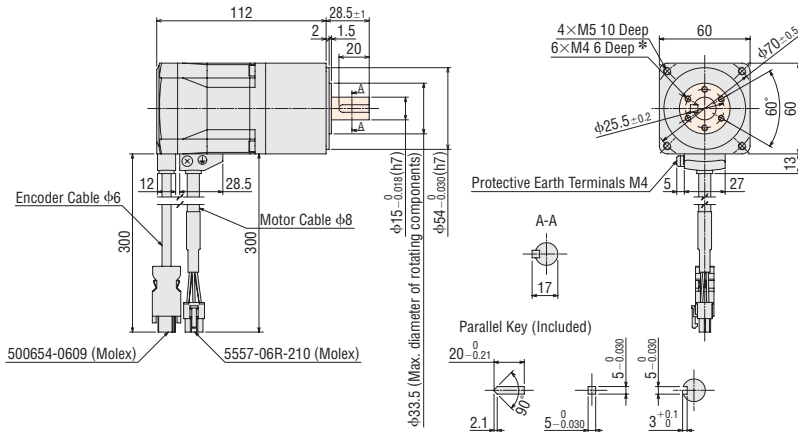
*The position of the output shaft relative to the screw holes on the rotating part cannot be specified. Adjust the position via the size of the screw holes on the load installation surface.

● The areas in the dimensions are rotating parts.

● A number indicating the gear ratio is specified where the box ■ is located in the product name.

Frame Size 60 mm

Product Name	Gear Ratio	Mass [kg]
AZM66AK-HS 	50, 100	1.4

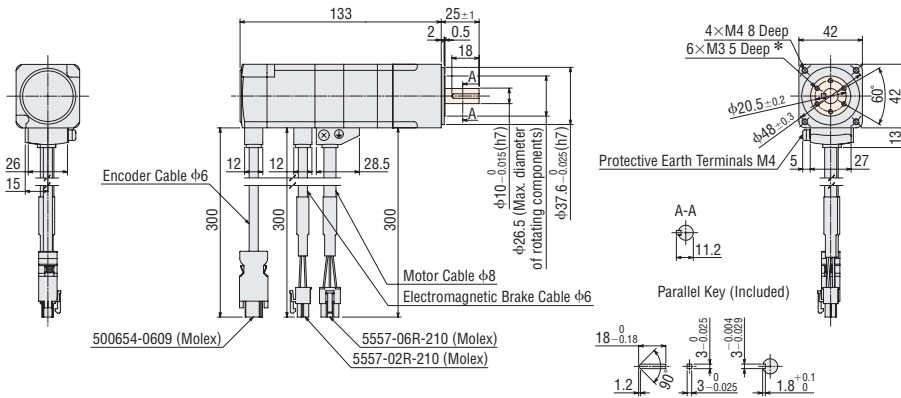


*The position of the output shaft relative to the screw holes on the rotating part cannot be specified. Adjust the position via the size of the screw holes on the load installation surface.

◇ Harmonic Geared Type with an Electromagnetic Brake

Frame Size 42 mm

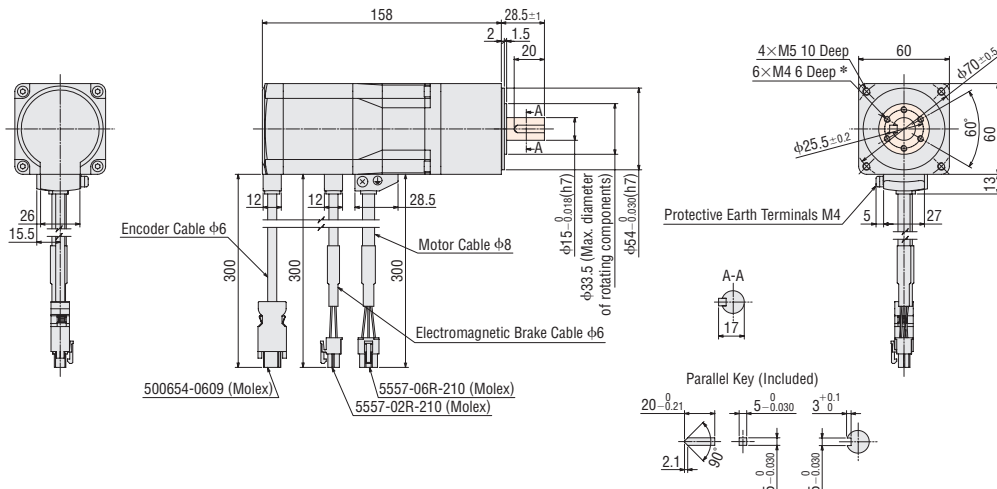
Product Name	Gear Ratio	Mass [kg]
AZM46MK-HS 	50, 100	0.82



*The position of the output shaft relative to the screw holes on the rotating part cannot be specified. Adjust the position via the size of the screw holes on the load installation surface.

Frame Size 60 mm

Product Name	Gear Ratio	Mass [kg]
AZM66MK-HS 	50, 100	1.8



*The position of the output shaft relative to the screw holes on the rotating part cannot be specified. Adjust the position via the size of the screw holes on the load installation surface.

● The areas in the dimensions are rotating parts.

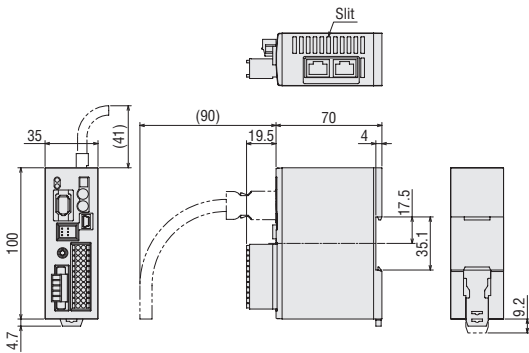
● A number indicating the gear ratio is specified where the box is located in the product name.

System Configuration
 Product Line
 Specifications and Characteristics
 AC Input
 Dimensions
 Connection and Operation
 System Configuration
 Product Line
 Specifications and Characteristics
 DC Input
 Dimensions
 Connection and Operation
 Cables/ Peripheral Equipment

● Driver

Type	Product Name	Mass [kg]
Built-in Controller Type	AZD-KD	0.15
Pulse Input Type with RS-485 Communication	AZD-KX	
Pulse Input Type	AZD-K	

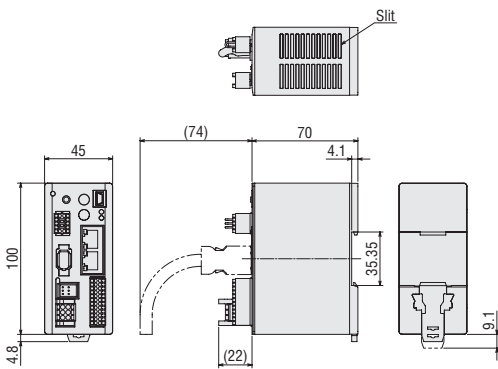
● The dimensions are for the built-in controller type. The dimensions and included items are the same for all drivers in the table.



● Included Items
Main Power Supply / Electromagnetic Brake Connector (CN1)
Connector: MC1,5/5-STF-3,5 (PHOENIX CONTACT Inc.)

I/O Signals Connector (CN4)
Connector: DFMC1,5/12-ST-3,5 (PHOENIX CONTACT Inc.)

Type	Product Name	Mass [kg]
EtherNet/IP compatible	AZD-KEP	0.18
EtherCAT Drive Profile compatible	AZD-KED	
PROFINET compatible	AZD-KPN	



● Included Items
Control Power Connector (CN1)
Connector: DFMC0,5/5-ST-2,54 (PHOENIX CONTACT Inc.)

Main Power Connector (CN4)
Connector: DFMC1,5/3-ST-3,5-LR (PHOENIX CONTACT Inc.)

I/O Signals Connector (CN7)
Connector: DFMC0,5/12-ST-2,54 (PHOENIX CONTACT Inc.)

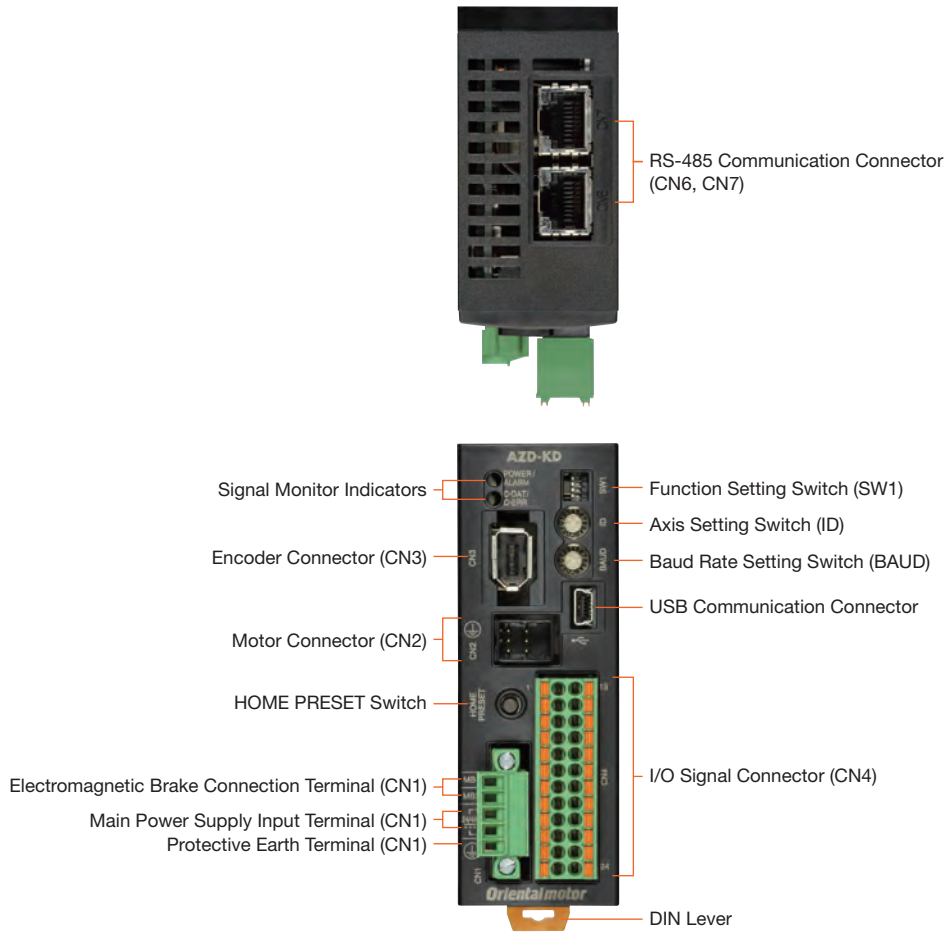
■ Connection and Operation

● Names of Driver Parts

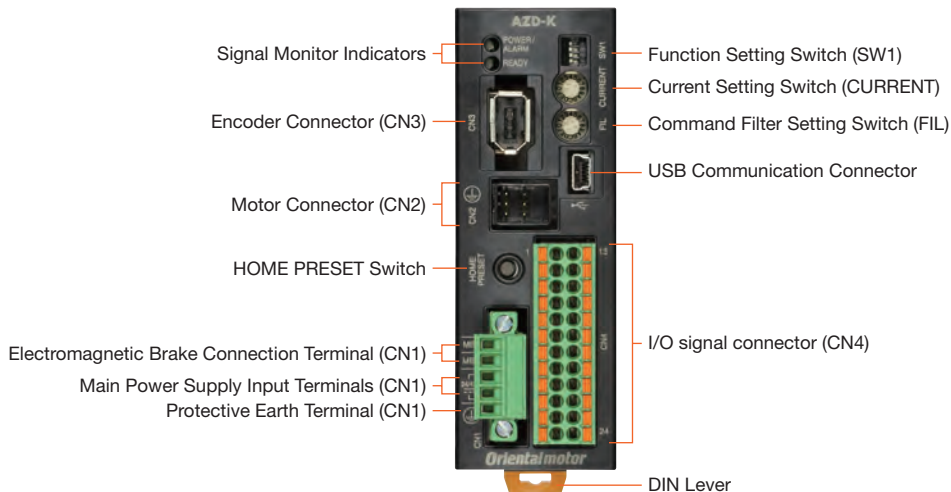
For details about each function, refer to the operating manual for the **AZ** Series. Either download operating manuals from the Oriental Motor website or contact your nearest Oriental Motor sales office.

◇ Built-in Controller Type, Pulse Input Type with RS-485 Communication

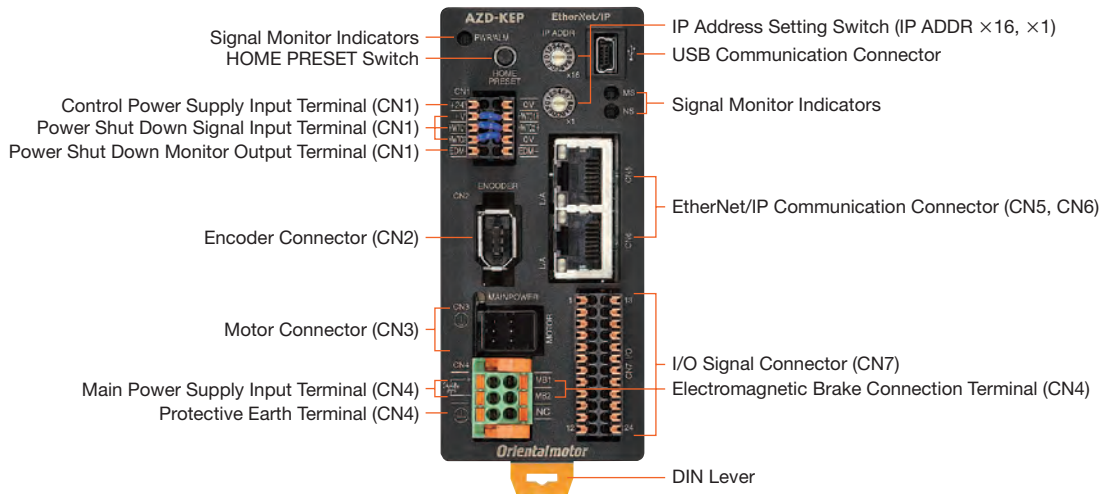
The photos show the built-in controller type.



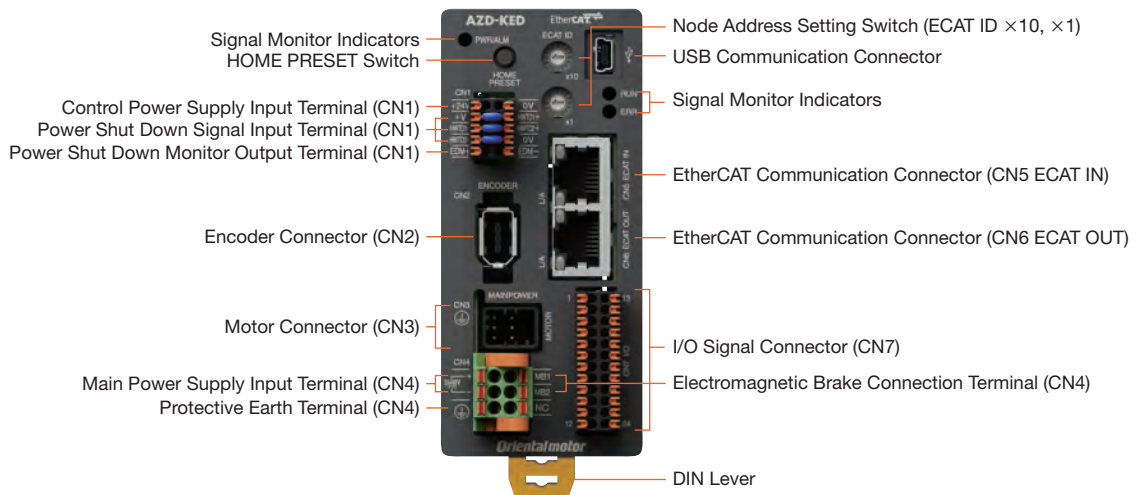
◇ Pulse Input Type



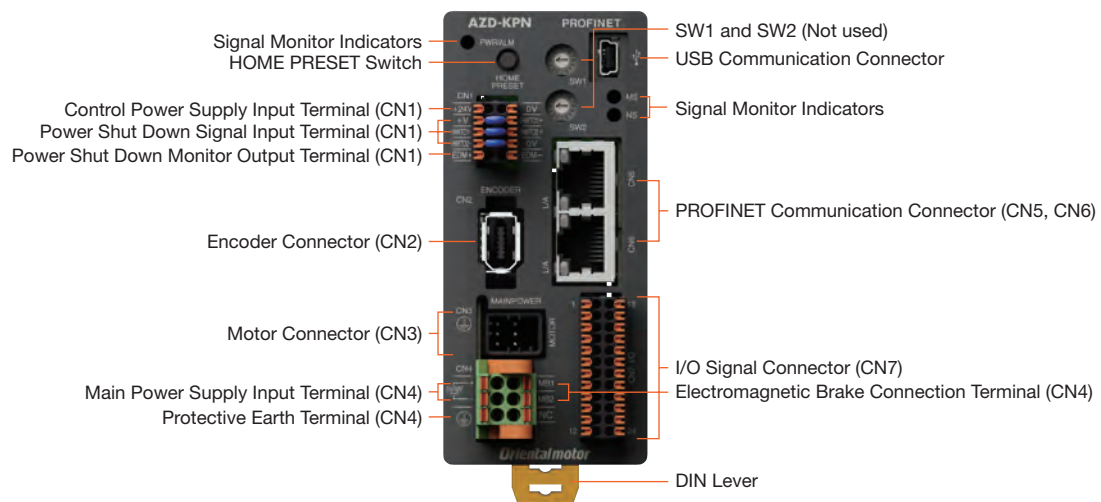
◇EtherNet/IP compatible



◇EtherCAT Drive Profile compatible



◇PROFINET compatible



●USB Cable Connection

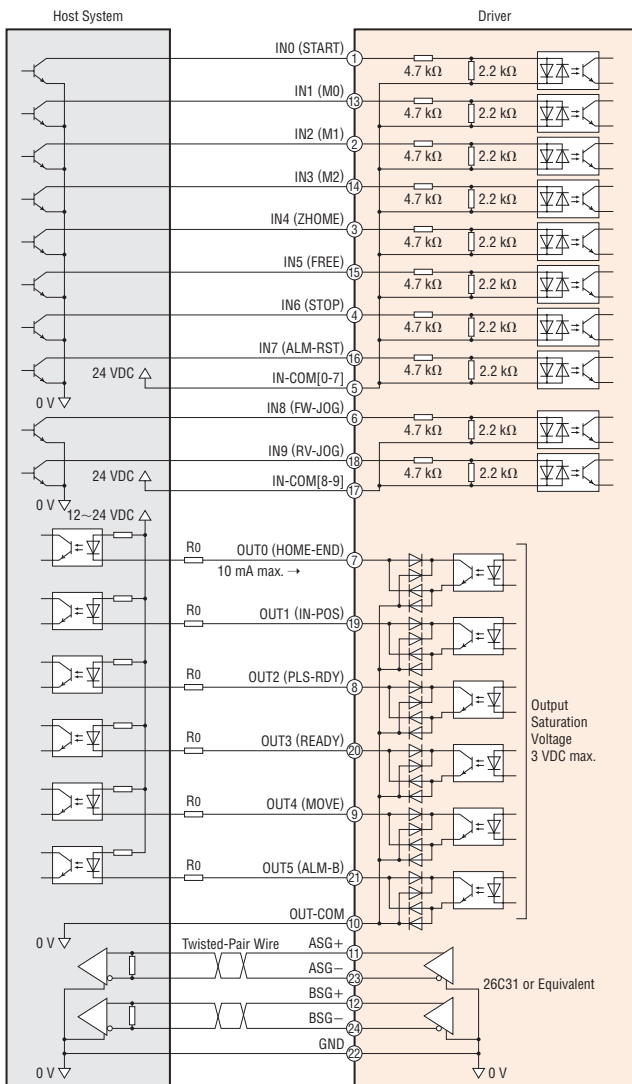
A USB cable is required for connecting the driver to the computer on which the support software **MEXE02** is installed. Use a USB cable with the following specifications.

Specifications	USB 2.0 (Full Speed)
Cables	Length: 3 m or less Configuration: A to mini B

● Connection Diagrams

◇ Built-in Controller Type

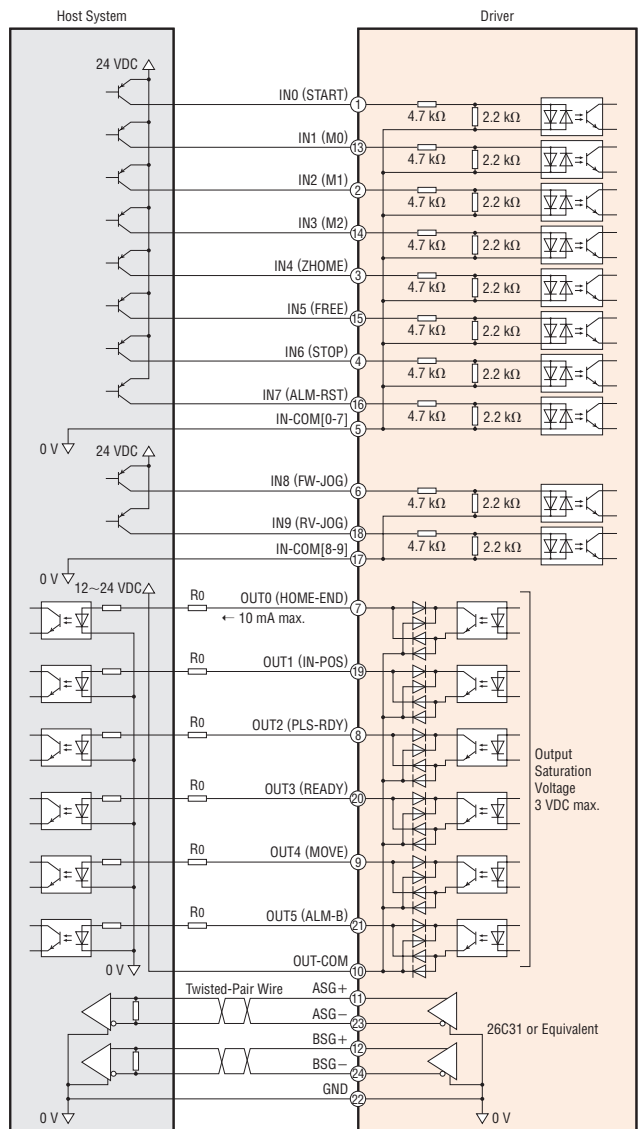
● Diagram for Connection with Current Sink Output Circuit



Note

- Use 24 VDC for the input signals.
- Use output signal at 12~24 VDC 10 mA or less. When the current value exceeds 10 mA, connect an external resistor R_o to reduce the current to 10 mA or less.
- Provide a distance of 200 mm or more between the signal lines and power lines (power supply lines, motor lines).
Do not run the signal lines in the same piping as power lines or bundle them with power lines.
- If noise generated by the motor cable or power supply cable causes a problem with the specific wiring or layout, shield the cable or use ferrite cores.

● Diagram for Connection with Current Source Output Circuit



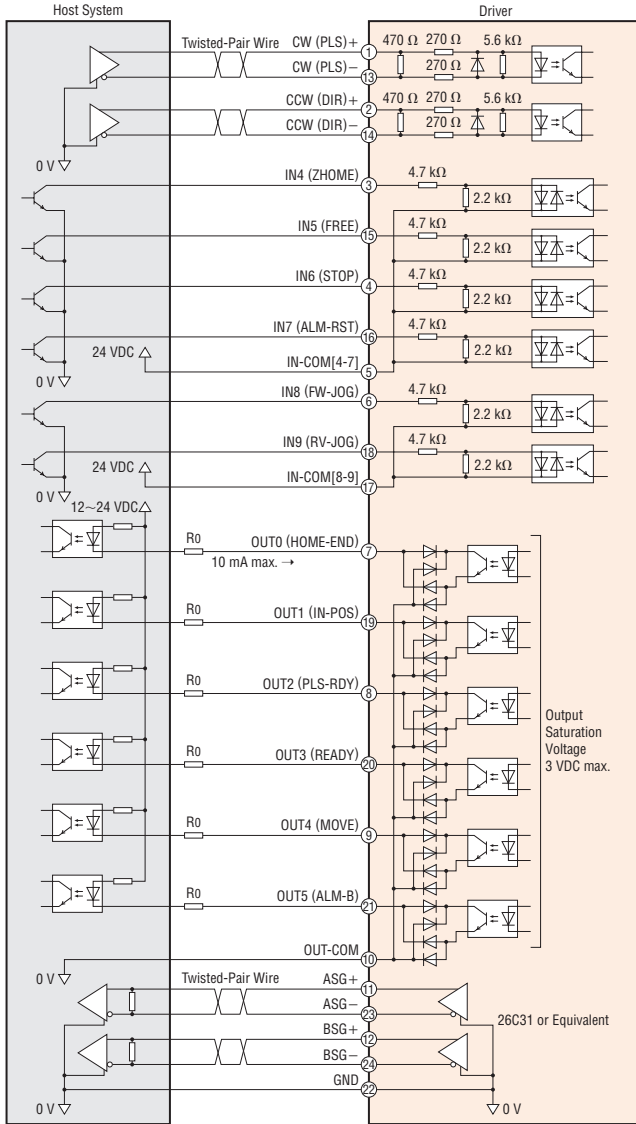
Note

- Use 24 VDC for the input signals.
- Use output signal at 12~24 VDC 10 mA or less. When the current value exceeds 10 mA, connect an external resistor R_o to reduce the current to 10 mA or less.
- Provide a distance of 200 mm or more between the signal lines and power lines (power supply lines, motor lines).
Do not run the signal lines in the same piping as power lines or bundle them with power lines.
- If noise generated by the motor cable or power supply cable causes a problem with the specific wiring or layout, shield the cable or use ferrite cores.

◇ Pulse Input Type with RS-485 Communication, Pulse Input Type

● Diagram for Connection with Current Sink Output Circuit

When the pulse input is the line driver

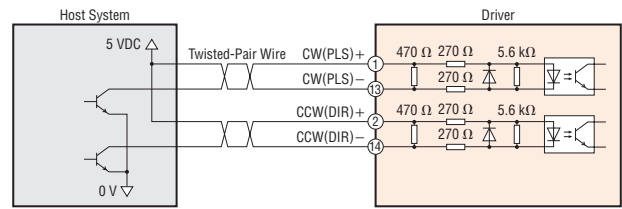


Note

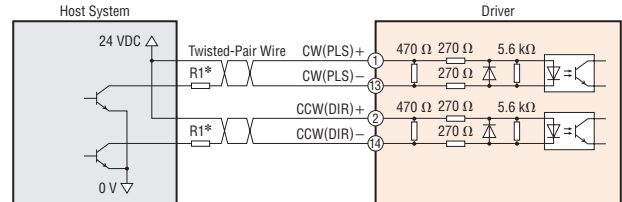
- Use 24 VDC for the input signals.
- Use output signal at 12~24 VDC 10 mA or less. When the current value exceeds 10 mA, connect an external resistor R_0 to reduce the current to 10 mA or less.
- Provide a distance of 200 mm or more between the signal lines and power lines (power supply lines, motor lines).
Do not run the signal lines in the same piping as power lines or bundle them with power lines.
- If noise generated by the motor cable or power supply cable causes a problem with the specific wiring or layout, shield the cable or use ferrite cores.

When the pulse input is open collector

● When the pulse input signal is 5 VDC



● When the pulse input signal is 24 VDC

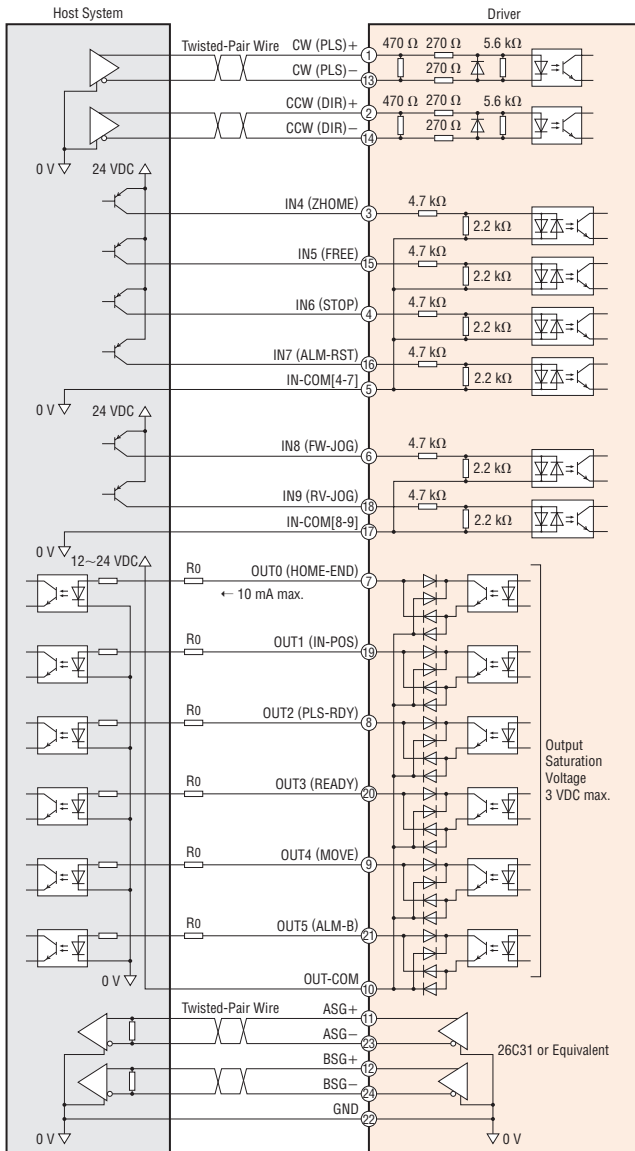


* R_1 : 1.2 k Ω ~2.2 k Ω 0.5 W min.

Note

- Use 5~24 VDC for CW (PLS) input and CCW (DIR) input. If used at 24 VDC, connect external resistor R_1 (1.2 k Ω ~2.2 k Ω 0.5 W min.)
- If used at 5 VDC, connect the pulse input signal directly without connecting an external resistor.

● Diagram for Connection with Current Source Output Circuit
When the pulse input is the line driver

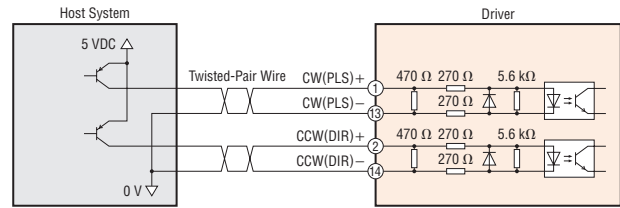


Note

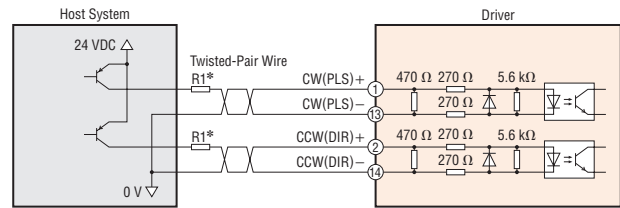
- Use 24 VDC for the input signals.
- Use output signal at 12~24 VDC 10 mA or less. When the current value exceeds 10 mA, connect an external resistor R_0 to reduce the current to 10 mA or less.
- Provide a distance of 200 mm or more between the signal lines and power lines (power supply lines, motor lines).
Do not run the signal lines in the same piping as power lines or bundle them with power lines.
- If noise generated by the motor cable or power supply cable causes a problem with the specific wiring or layout, shield the cable or use ferrite cores.

When the pulse input is open collector

- When the pulse input signal is 5 VDC



- When the pulse input signal is 24 VDC



* R_1 : 1.2 k Ω ~2.2 k Ω 0.5 W min.

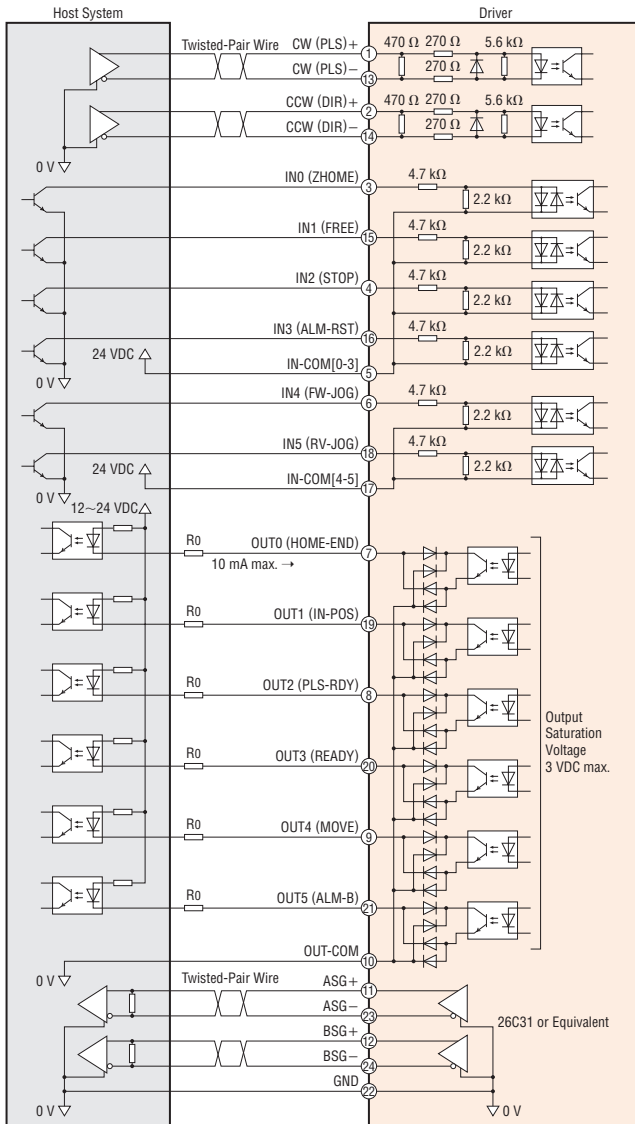
Note

- Use 5~24 VDC for CW (PLS) input and CCW (DIR) input. If used at 24 VDC, connect external resistor R_1 (1.2 k Ω ~2.2 k Ω 0.5 W min.)
- If used at 5 VDC, connect the pulse input signal directly without connecting an external resistor.

◇ EtherNet/IP compatible

● Diagram for Connection with Current Sink Output Circuit

When the pulse input is the line driver

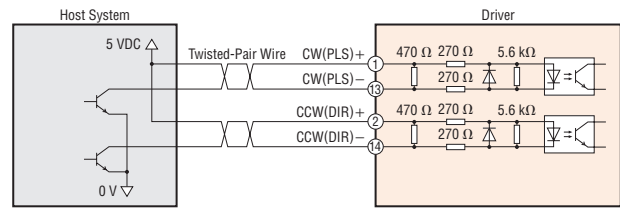


Note

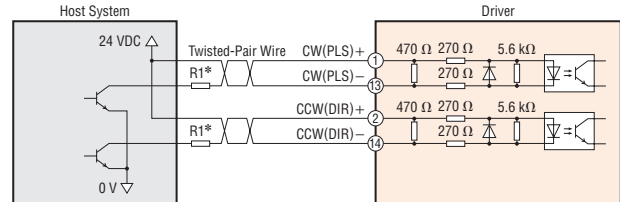
- Use 24 VDC for the input signals.
- Use output signal at 12~24 VDC 10 mA or less. When the current value exceeds 10 mA, connect an external resistor R_0 to reduce the current to 10 mA or less.
- Provide a distance of 200 mm or more between the signal lines and power lines (power supply lines, motor lines).
Do not run the signal lines in the same piping as power lines or bundle them with power lines.
- If noise generated by the motor cable or power supply cable causes a problem with the specific wiring or layout, shield the cable or use ferrite cores.

When the pulse input is open collector

● When the pulse input signal is 5 VDC



● When the pulse input signal is 24 VDC

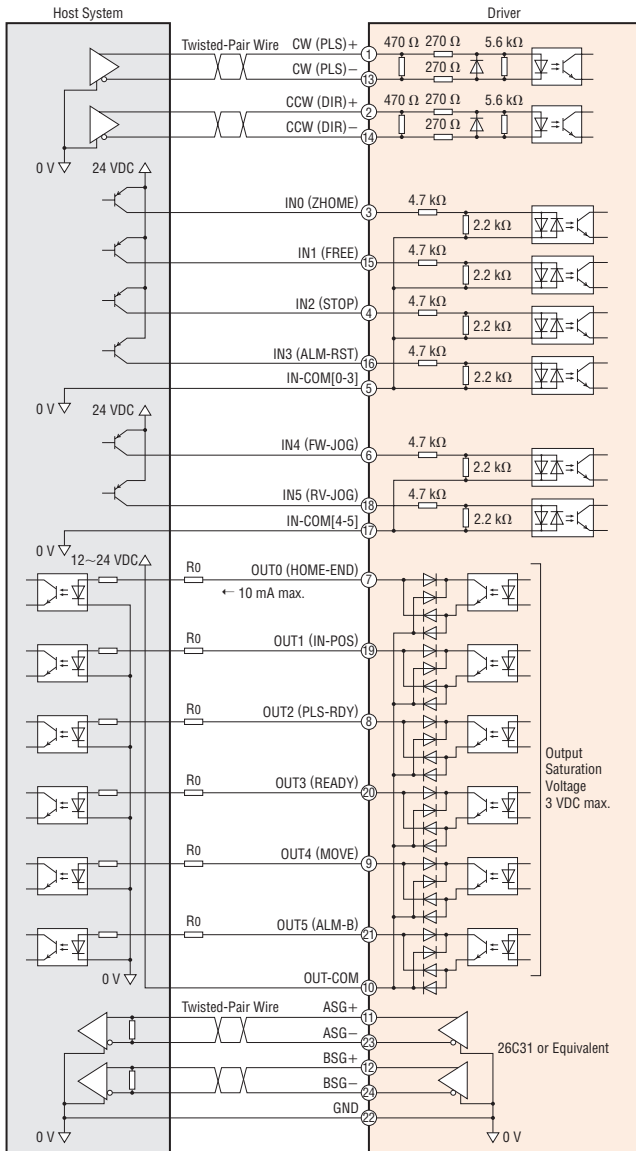


* R_1 : 1.2 kΩ~2.2 kΩ 0.5 W min.

Note

- Use 5~24 VDC for CW (PLS) input and CCW (DIR) input. If used at 24 VDC, connect external resistor R_1 (1.2 kΩ~2.2 kΩ 0.5 W min.)
- If used at 5 VDC, connect the pulse input signal directly without connecting an external resistor.

● Diagram for Connection with Current Source Output Circuit
When the pulse input is the line driver

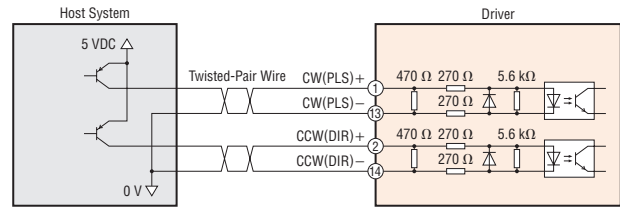


Note

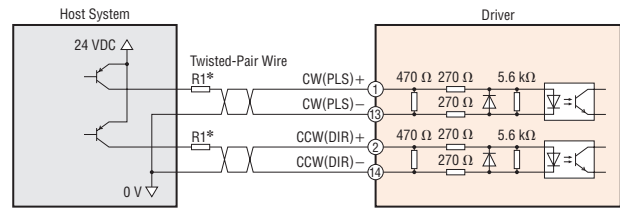
- Use 24 VDC for the input signals.
- Use output signal at 12~24 VDC 10 mA or less. When the current value exceeds 10 mA, connect an external resistor R_0 to reduce the current to 10 mA or less.
- Provide a distance of 200 mm or more between the signal lines and power lines (power supply lines, motor lines). Do not run the signal lines in the same piping as power lines or bundle them with power lines.
- If noise generated by the motor cable or power supply cable causes a problem with the specific wiring or layout, shield the cable or use ferrite cores.

When the pulse input is open collector

- When the pulse input signal is 5 VDC



- When the pulse input signal is 24 VDC



* R_1 : 1.2 k Ω ~2.2 k Ω 0.5 W min.

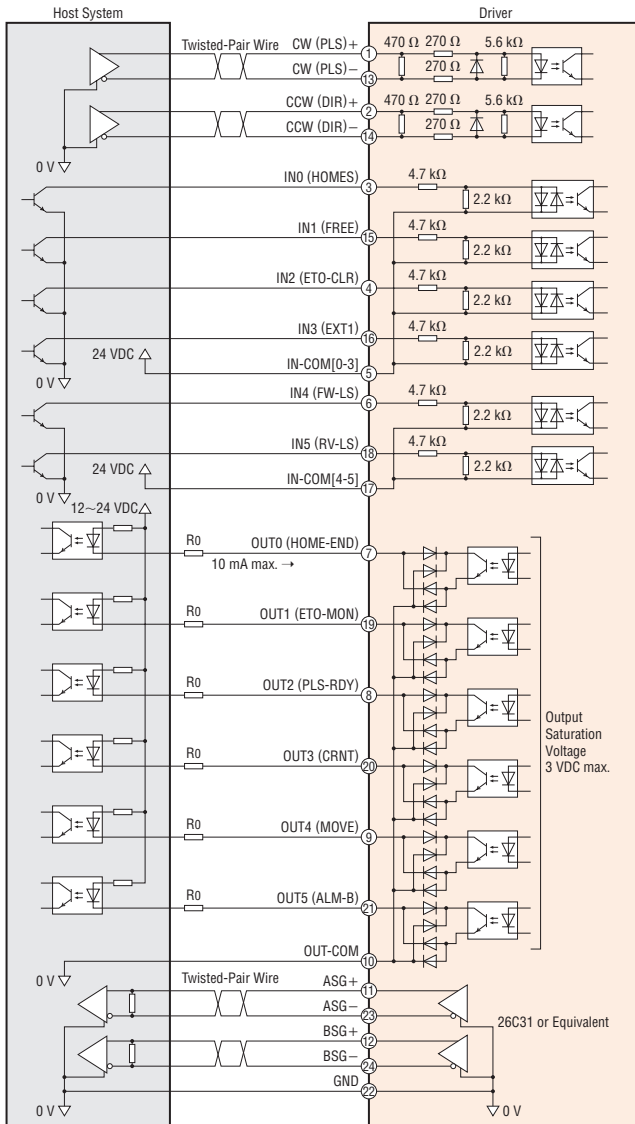
Note

- Use 5~24 VDC for CW (PLS) input and CCW (DIR) input. If used at 24 VDC, connect external resistor R_1 (1.2 k Ω ~2.2 k Ω 0.5 W min.)
- If used at 5 VDC, connect the pulse input signal directly without connecting an external resistor.

◇EtherCAT Drive Profile compatible

●Diagram for Connection with Current Sink Output Circuit

When the pulse input is the line driver

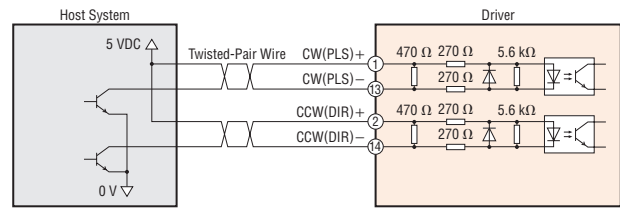


Note

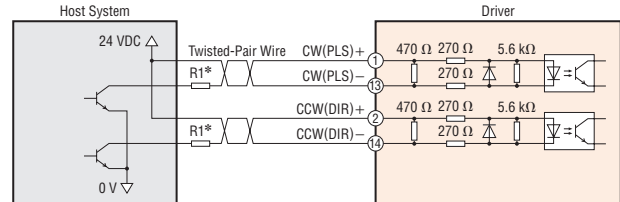
- Use 24 VDC for the input signals.
- Use output signal at 12~24 VDC 10 mA or less. When the current value exceeds 10 mA, connect an external resistor R_0 to reduce the current to 10 mA or less.
- Provide a distance of 200 mm or more between the signal lines and power lines (power supply lines, motor lines). Do not run the signal lines in the same piping as power lines or bundle them with power lines.
- If noise generated by the motor cable or power supply cable causes a problem with the specific wiring or layout, shield the cable or use ferrite cores.

When the pulse input is open collector

●When the pulse input signal is 5 VDC



●When the pulse input signal is 24 VDC

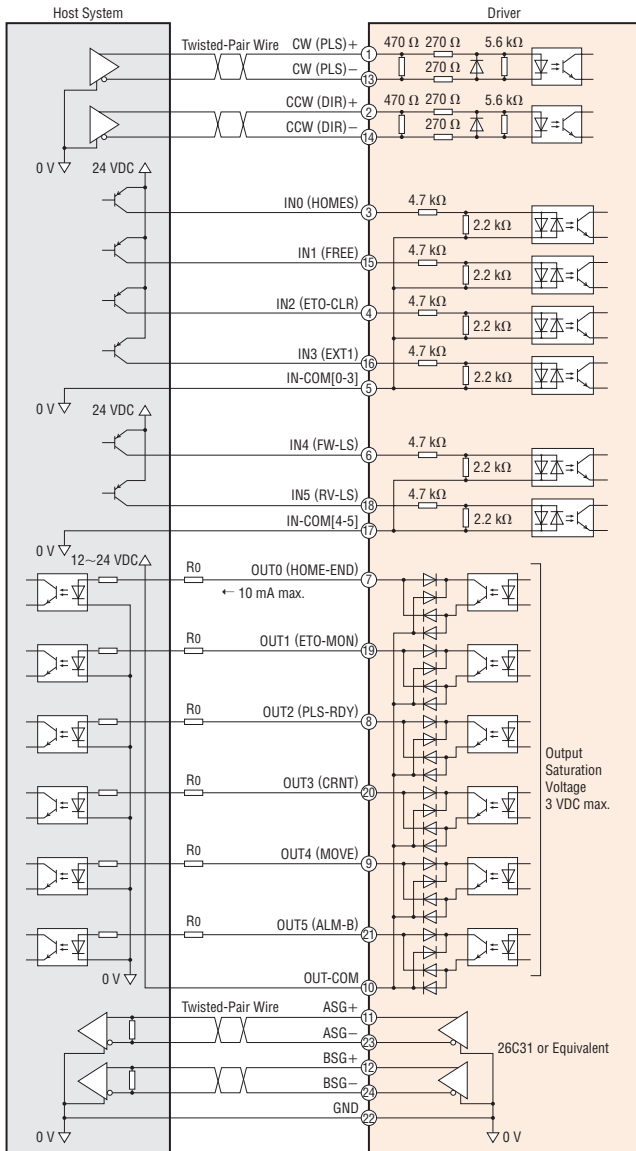


* R_1 : 1.2 k Ω ~2.2 k Ω 0.5 W min.

Note

- Use 5~24 VDC for CW (PLS) input and CCW (DIR) input. If used at 24 VDC, connect external resistor R_1 (1.2 k Ω ~2.2 k Ω 0.5 W min.)
- If used at 5 VDC, connect the pulse input signal directly without connecting an external resistor.

• Diagram for Connection with Current Source Output Circuit
When the pulse input is the line driver

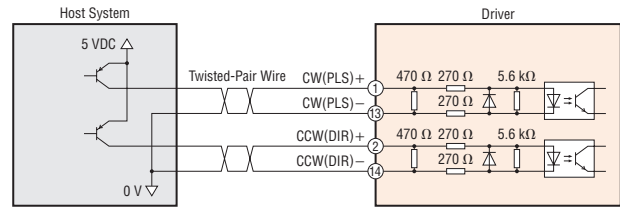


Note

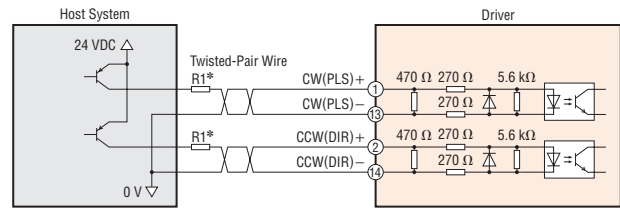
- Use 24 VDC for the input signals.
- Use output signal at 12~24 VDC 10 mA or less. When the current value exceeds 10 mA, connect an external resistor R_0 to reduce the current to 10 mA or less.
- Provide a distance of 200 mm or more between the signal lines and power lines (power supply lines, motor lines). Do not run the signal lines in the same piping as power lines or bundle them with power lines.
- If noise generated by the motor cable or power supply cable causes a problem with the specific wiring or layout, shield the cable or use ferrite cores.

When the pulse input is open collector

- When the pulse input signal is 5 VDC



- When the pulse input signal is 24 VDC



* R_1 : 1.2 k Ω ~2.2 k Ω 0.5 W min.

Note

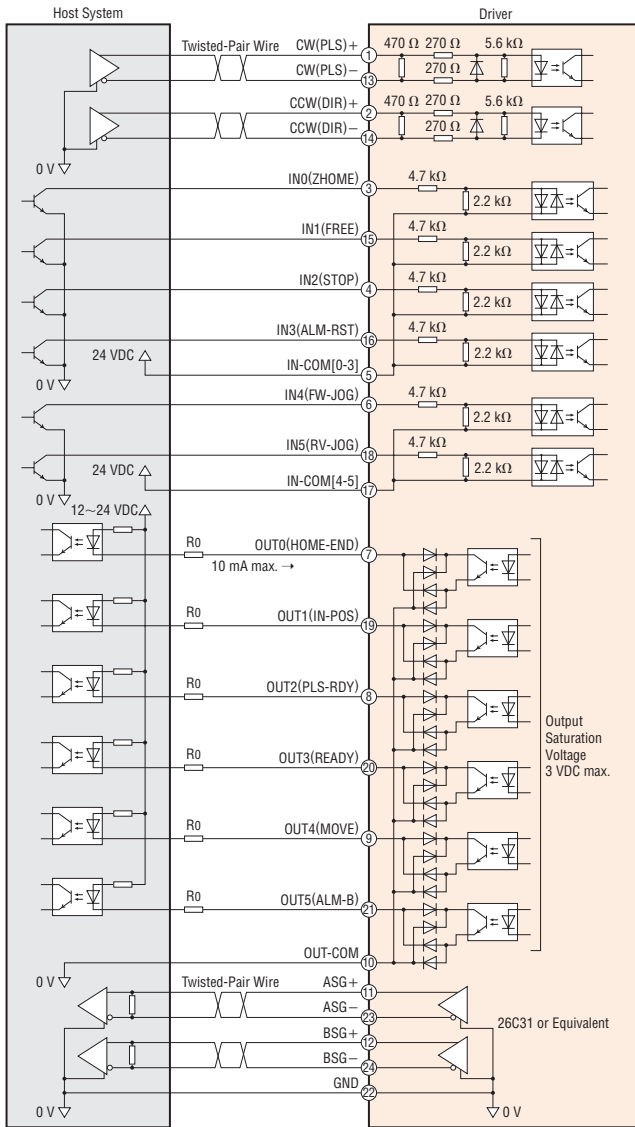
- Use 5~24 VDC for CW (PLS) input and CCW (DIR) input. If used at 24 VDC, connect external resistor R_1 (1.2 k Ω ~2.2 k Ω 0.5 W min.)
- If used at 5 VDC, connect the pulse input signal directly without connecting an external resistor.

System Configuration
Product Line
Specifications and Characteristics
AC Input
Dimensions
Connection and Operation
System Configuration
Product Line
Specifications and Characteristics
DC Input
Dimensions
Connection and Operation
Cables/Peripheral Equipment

◇PROFINET compatible

●Diagram for Connection with Current Sink Output Circuit

When the pulse input is the line driver

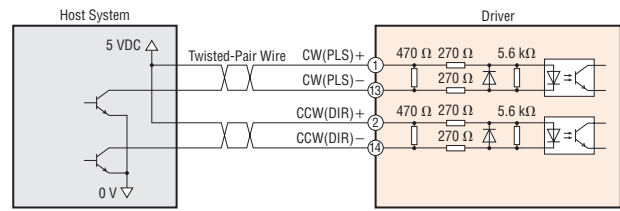


Note

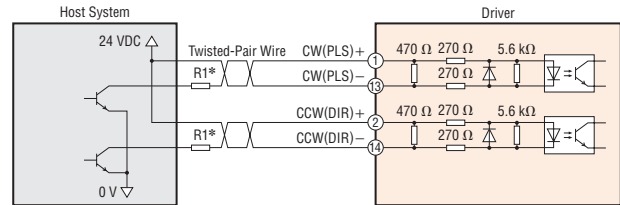
- Use 24 VDC for the input signals.
- Use output signal at 12~24 VDC 10 mA or less. When the current value exceeds 10 mA, connect an external resistor R_0 to reduce the current to 10 mA or less.
- Provide a distance of 200 mm or more between the signal lines and power lines (power supply lines, motor lines). Do not run the signal lines in the same piping as power lines or bundle them with power lines.
- If noise generated by the motor cable or power supply cable causes a problem with the specific wiring or layout, shield the cable or use ferrite cores.

When the pulse input is open collector

●When the pulse input signal is 5 VDC



●When the pulse input signal is 24 VDC

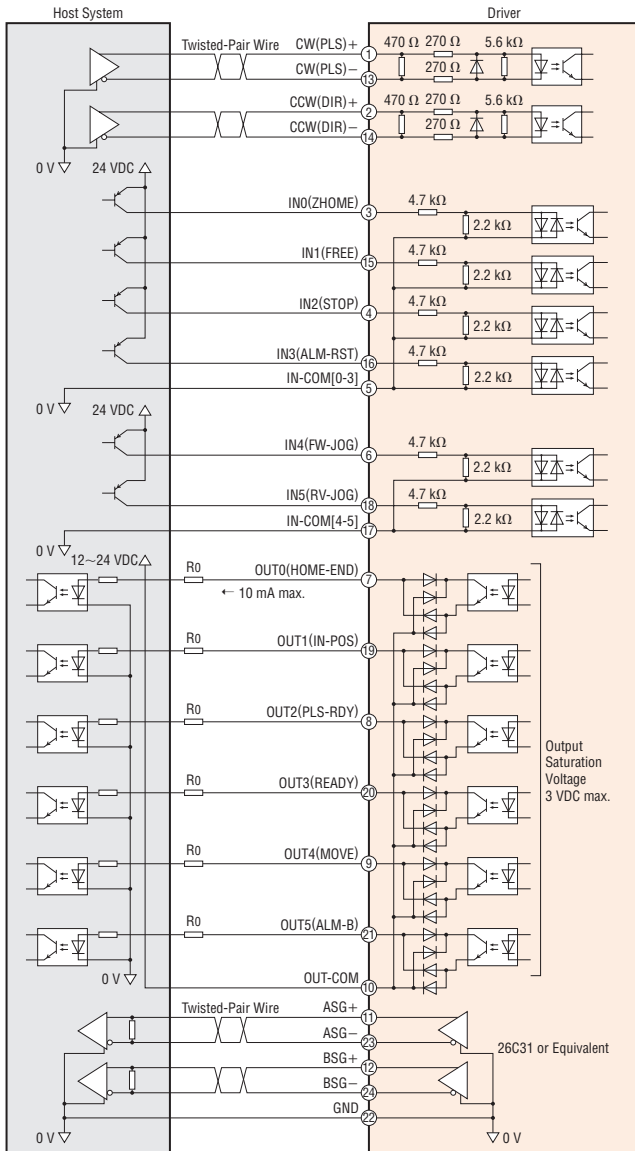


*R1: 1.2 kΩ~2.2 kΩ 0.5 W min.

Note

- Use 5~24 VDC for CW (PLS) input and CCW (DIR) input. If used at 24 VDC, connect external resistor R_1 (1.2 kΩ~2.2 kΩ 0.5 W min.)
- If used at 5 VDC, connect the pulse input signal directly without connecting an external resistor.

• Diagram for Connection with Current Source Output Circuit
When the pulse input is the line driver

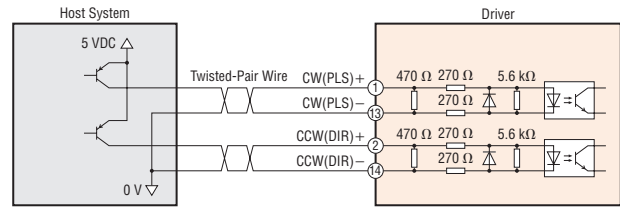


Note

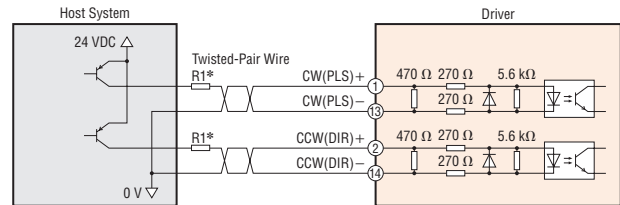
- Use 24 VDC for the input signals.
- Use output signal at 12~24 VDC 10 mA or less. When the current value exceeds 10 mA, connect an external resistor R_0 to reduce the current to 10 mA or less.
- Provide a distance of 200 mm or more between the signal lines and power lines (power supply lines, motor lines). Do not run the signal lines in the same piping as power lines or bundle them with power lines.
- If noise generated by the motor cable or power supply cable causes a problem with the specific wiring or layout, shield the cable or use ferrite cores.

When the pulse input is open collector

- When the pulse input signal is 5 VDC



- When the pulse input signal is 24 VDC



*R1: 1.2 kΩ~2.2 kΩ 0.5 W min.

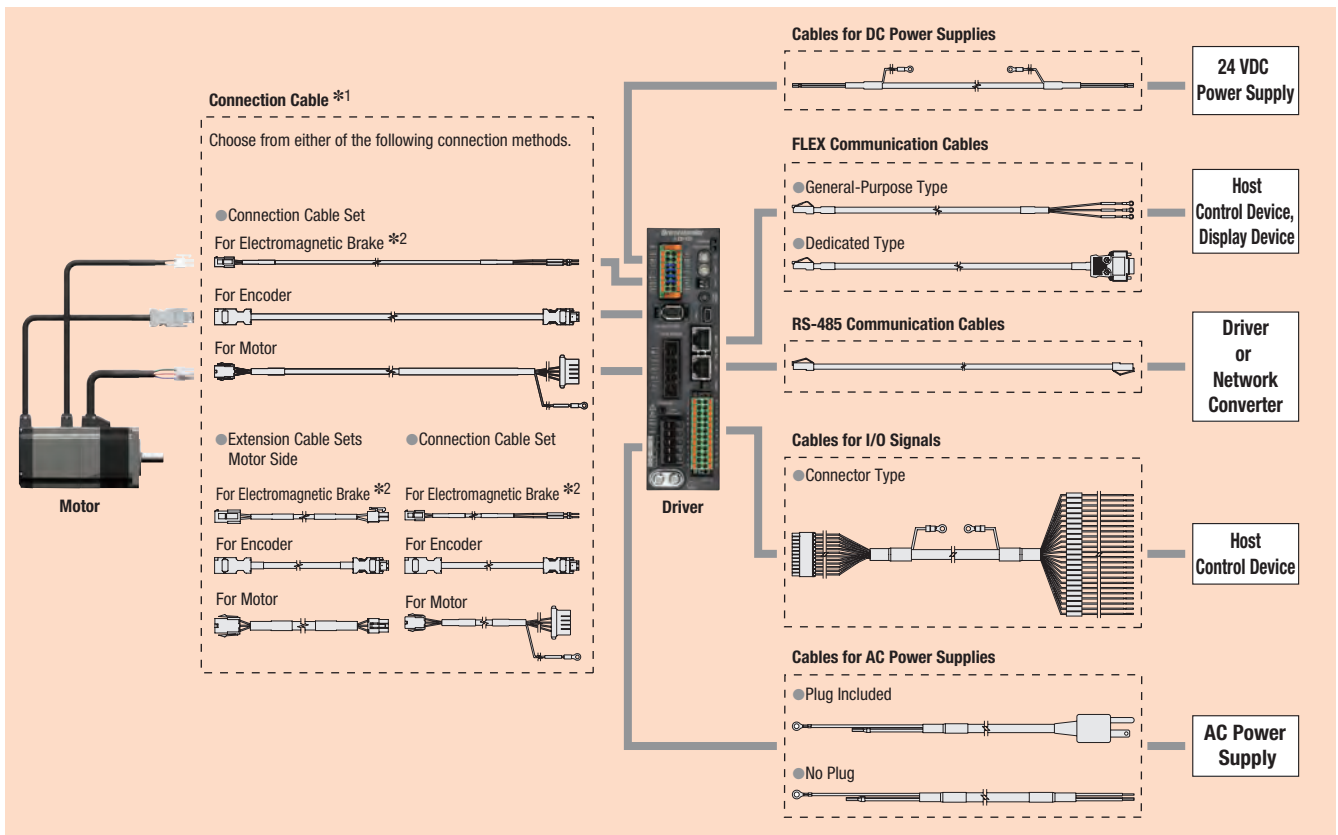
Note

- Use 5~24 VDC for CW (PLS) input and CCW (DIR) input. If used at 24 VDC, connect external resistor R_1 (1.2 kΩ~2.2 kΩ 0.5 W min.)
- If used at 5 VDC, connect the pulse input signal directly without connecting an external resistor.

Cables

Example of Cable System Configuration (For AC Input)

Built-in Controller Type Driver, Pulse Input Type Driver with RS-485 Communication



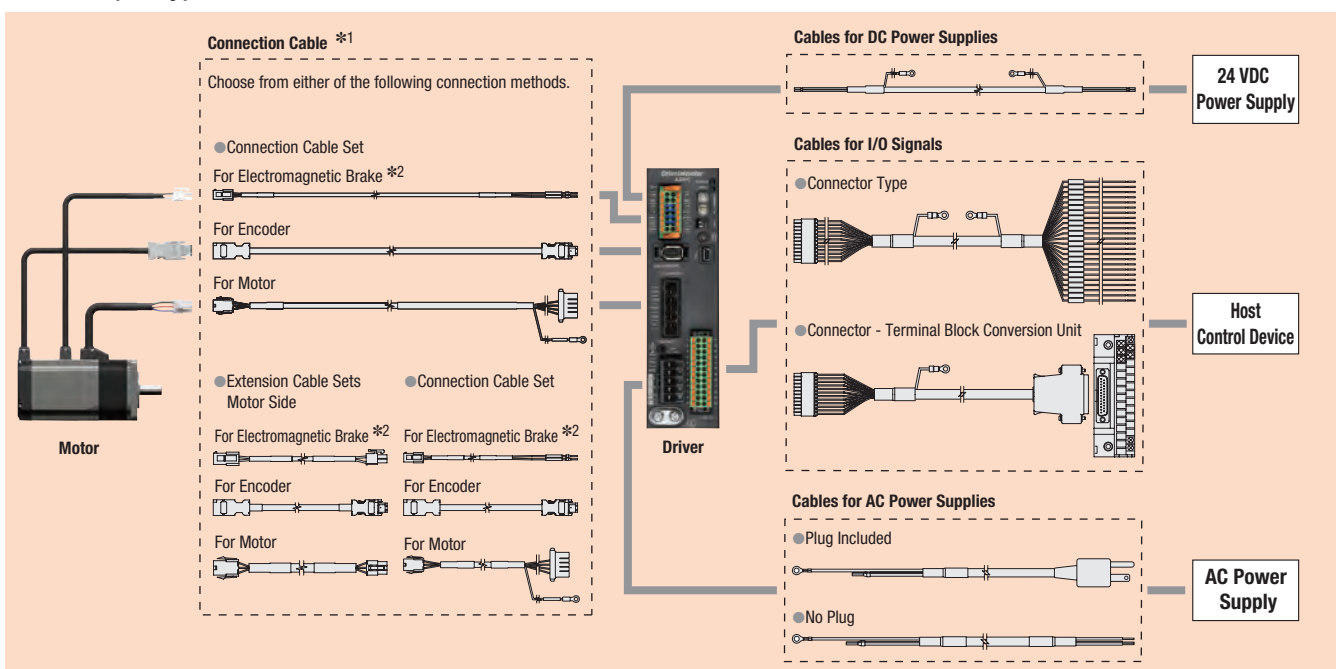
*1 Flexible connection cable sets and flexible extension cable sets with excellent durability are also available.

*2 Required for motors with an electromagnetic brake.

Note

- Up to three cables can be used to connect the motor and the driver.
- The maximum extension distance between the motor and driver is 20 m.
- The motor cable and electromagnetic brake cable from the motor cannot be connected directly to the driver. When connecting to a driver, use a connection cable.

Pulse Input Type Driver



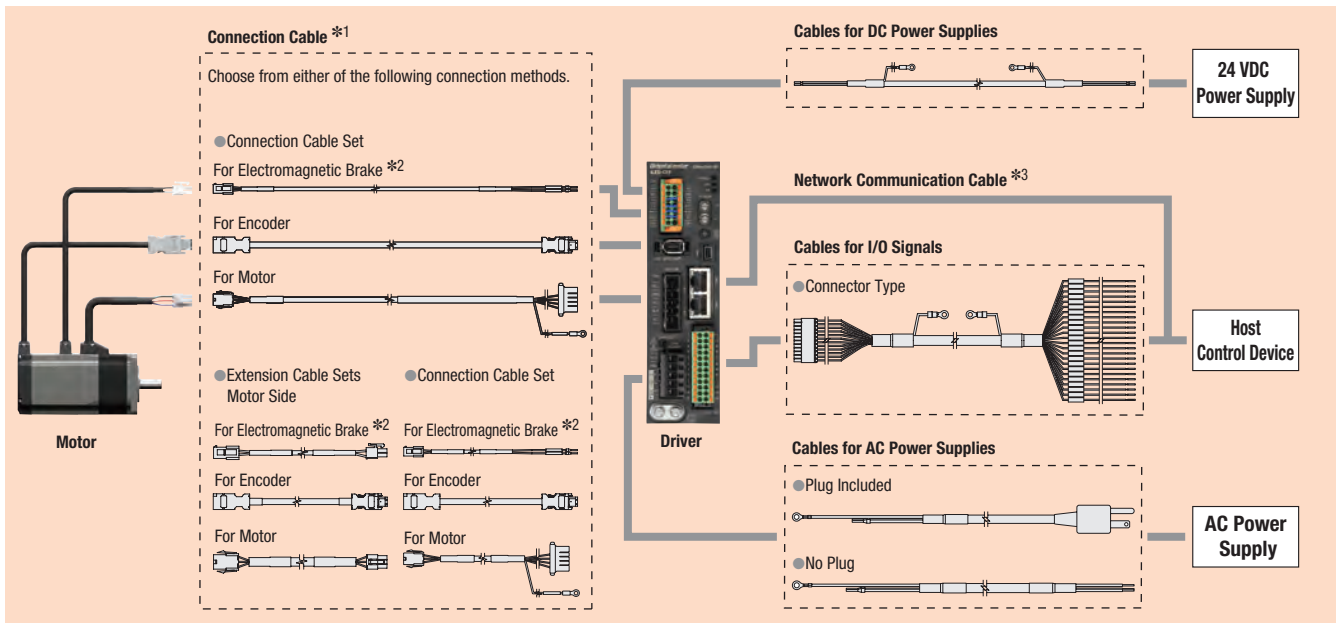
*1 Flexible connection cable sets and flexible extension cable sets with excellent durability are also available.

*2 Required for motors with an electromagnetic brake.

Note

- Up to three cables can be used to connect the motor and the driver.
- The maximum extension distance between the motor and driver is 20 m.
- The motor cable and electromagnetic brake cable from the motor cannot be connected directly to the driver. When connecting to a driver, use a connection cable.

● Network Compatible Driver



*1 Flexible connection cable sets and flexible extension cable sets with excellent durability are also available.

*2 Required for motors with an electromagnetic brake.

*3 Not supplied.

Note

- Up to three cables can be used to connect the motor and the driver.
- The maximum extension distance between the motor and driver is 20 m.
- The motor cable and electromagnetic brake cable from the motor cannot be connected directly to the driver. When connecting to a driver, use a connection cable.

System Configuration

Product Line

Specifications and Characteristics

Dimensions

Connection and Operation

System Configuration

Product Line

Specifications and Characteristics

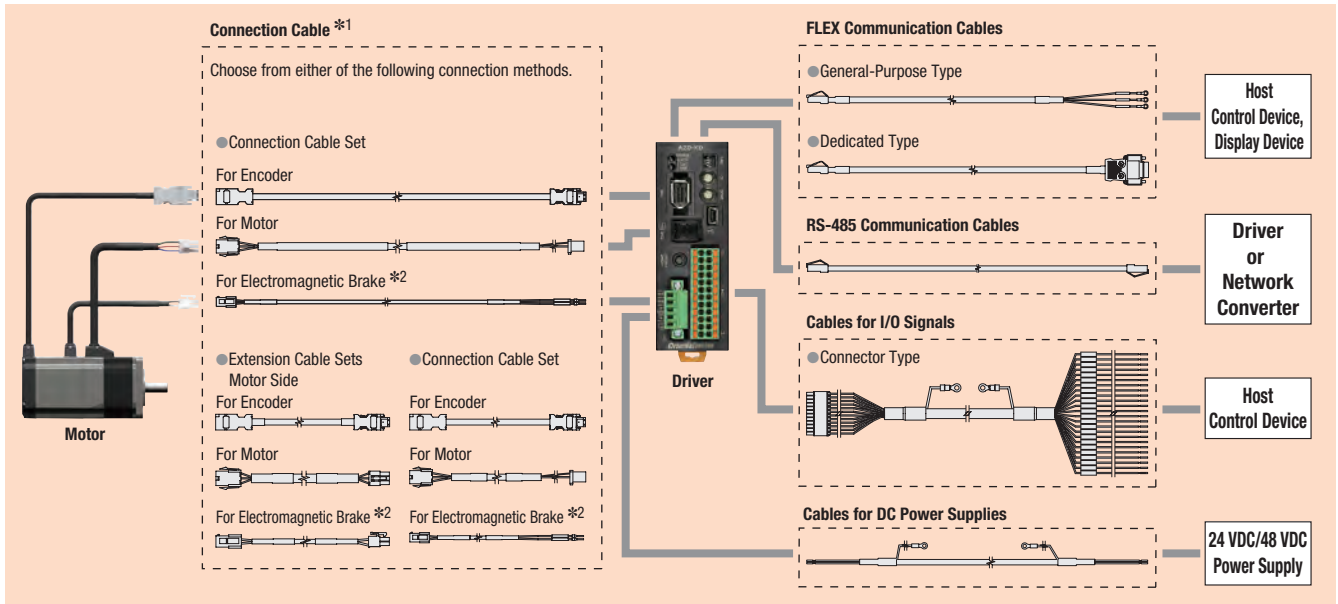
Dimensions

Connection and Operation

Cables/
Peripheral
Equipment

Example of Cable System Configuration (For DC input)

Built-in Controller Type Driver, Pulse Input Type Driver with RS-485 Communication



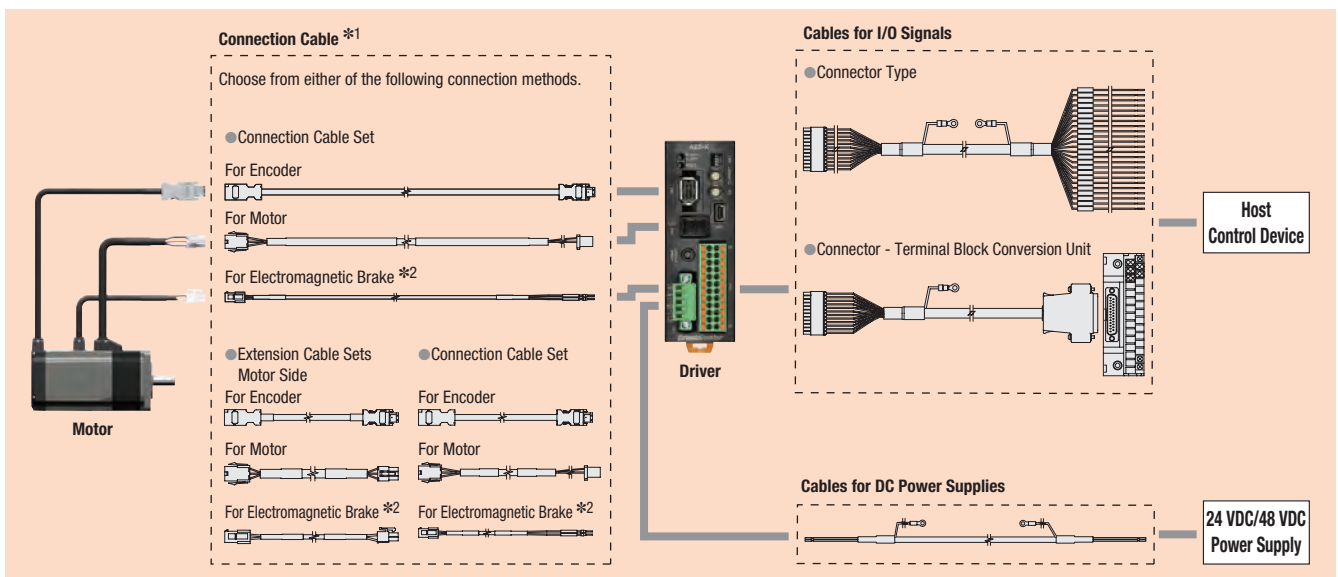
*1 Flexible connection cable sets and flexible extension cable sets with excellent durability are also available.

*2 Required for motors with an electromagnetic brake.

Note

- Up to three cables can be used to connect the motor and the driver.
- The maximum extension distance between the motor and driver is 20 m.
- The motor cable and electromagnetic brake cable from the motor cannot be connected directly to the driver. When connecting to a driver, use a connection cable.

Pulse Input Type Driver



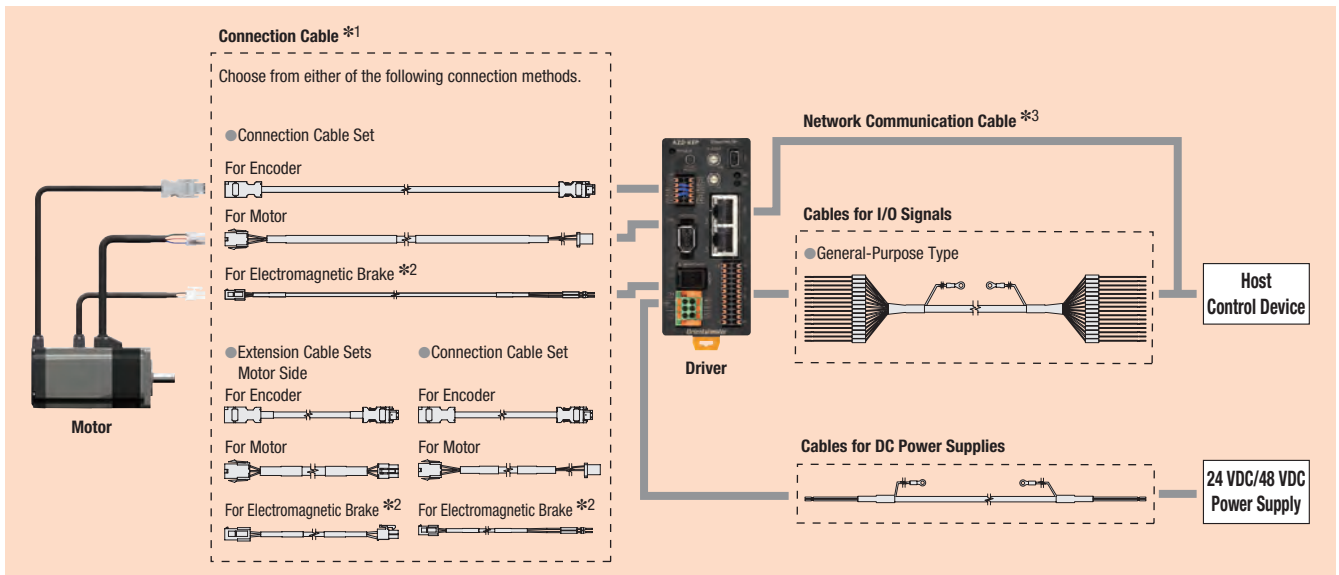
*1 Flexible connection cable sets and flexible extension cable sets with excellent durability are also available.

*2 Required for motors with an electromagnetic brake.

Note

- Up to three cables can be used to connect the motor and the driver.
- The maximum extension distance between the motor and driver is 20 m.
- The motor cable and electromagnetic brake cable from the motor cannot be connected directly to the driver. When connecting to a driver, use a connection cable.

● Network Compatible Driver



*1 Flexible connection cable sets and flexible extension cable sets with excellent durability are also available.

*2 Required for motors with an electromagnetic brake.

*3 Not supplied.

Note

- Up to three cables can be used to connect the motor and the driver.
- The maximum extension distance between the motor and driver is 20 m.
- The motor cable and electromagnetic brake cable from the motor cannot be connected directly to the driver. When connecting to a driver, use a connection cable.

System Configuration

Product Line

Specifications and Characteristics

Dimensions

Connection and Operation

System Configuration

Product Line

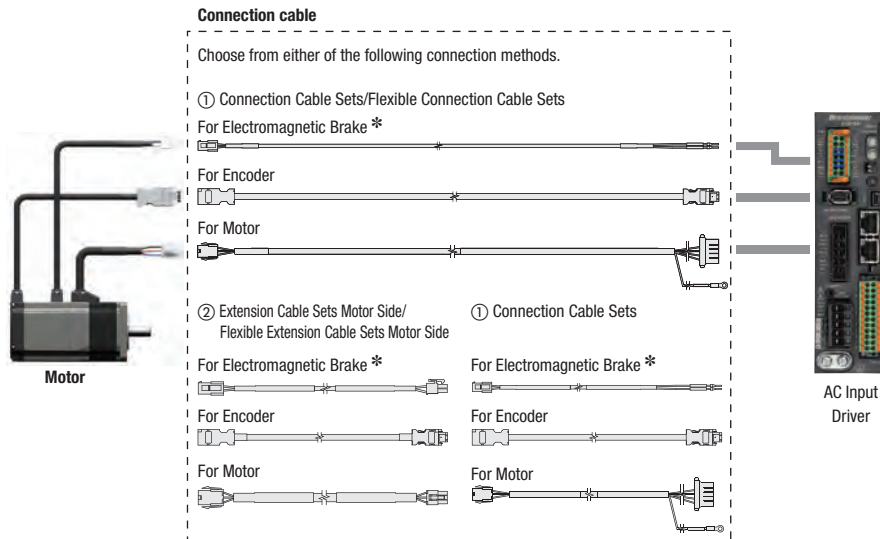
Specifications and Characteristics

Dimensions

Connection and Operation

Cables/Peripheral Equipment

■ Connection Cables (For AC Input)



*Required for motors with an electromagnetic brake.

Note

- Up to three cables can be used to connect the motor and the driver.
- The maximum extension distance between the motor and driver is 20 m.

① Connection Cable Sets/Flexible Connection Cable Sets

This is a connection cable set used to connect the motor and the driver. Use the flexible connection cable set in applications where the cable is bent and flexed repeatedly.

The motor cable and electromagnetic brake cable from the motor cannot be connected directly to the driver.

When connecting to a driver, use a connection cable.

● Product Line

◇ Connection Cable Set

● For Motor/Encoder



● For Motor/Encoder

Length L [m]	Product Name
0.5	CC005VZF
1	CC010VZF
1.5	CC015VZF
2	CC020VZF
2.5	CC025VZF
3	CC030VZF
4	CC040VZF
5	CC050VZF
7	CC070VZF
10	CC100VZF
15	CC150VZF
20	CC200VZF

● For Motor/Encoder/Electromagnetic Brake



● For Motor/Encoder/ Electromagnetic Brake

Length L [m]	Product Name
0.5	CC005VZFB
1	CC010VZFB
1.5	CC015VZFB
2	CC020VZFB
2.5	CC025VZFB
3	CC030VZFB
4	CC040VZFB
5	CC050VZFB
7	CC070VZFB
10	CC100VZFB
15	CC150VZFB
20	CC200VZFB

◇ Flexible Connection Cable Sets

● For Motor/Encoder



● For Motor/Encoder

Length L [m]	Product Name
0.5	CC005VZR
1	CC010VZR
1.5	CC015VZR
2	CC020VZR
2.5	CC025VZR
3	CC030VZR
4	CC040VZR
5	CC050VZR
7	CC070VZR
10	CC100VZR
15	CC150VZR
20	CC200VZR

● For Motor/Encoder/Electromagnetic Brake



● For Motor/Encoder/ Electromagnetic Brake

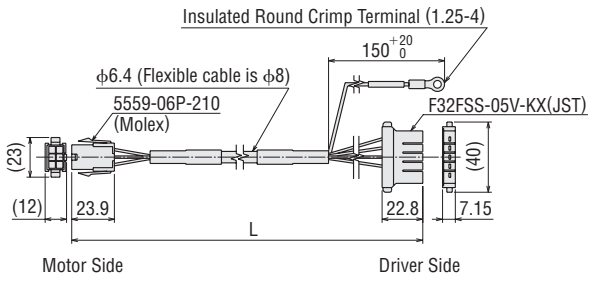
Length L [m]	Product Name
0.5	CC005VZRB
1	CC010VZRB
1.5	CC015VZRB
2	CC020VZRB
2.5	CC025VZRB
3	CC030VZRB
4	CC040VZRB
5	CC050VZRB
7	CC070VZRB
10	CC100VZRB
15	CC150VZRB
20	CC200VZRB

● Note on use of flexible cables → Page 143

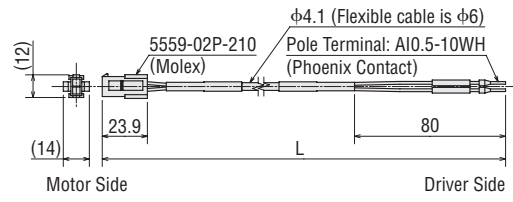
● Note on use of flexible cables → Page 143

● Dimensions (Unit = mm)

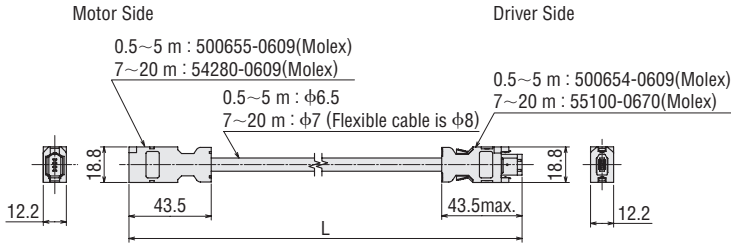
◇ Cable for Motor



◇ Cable for Electromagnetic Brake



◇ Encoder Cable



System Configuration

Product Line

Specifications and Characteristics

Dimensions

Connection and Operation

System Configuration

Product Line

Specifications and Characteristics

Dimensions

Connection and Operation

Cables/
Peripheral
Equipment

② Extension Cable Set - Motor Side/Flexible Extension Cable Set - Motor Side

This is a cable to extend the connection cable to the motor. When using an extension, the total length of the cable must be less than 20 m. Use the flexible extension cable set in applications where the cable is bent and flexed repeatedly.

● Product Line

◇ Extension Cable Sets

· For Motor/Encoder



● For Motor/Encoder

Length L [m]	Product Name
1	CC010VZFT
2	CC020VZFT
3	CC030VZFT
5	CC050VZFT
7	CC070VZFT
10	CC100VZFT
15	CC150VZFT

· For Motor/Encoder/Electromagnetic Brake



● For Motor/Encoder/ Electromagnetic Brake

Length L [m]	Product Name
1	CC010VZFBT
2	CC020VZFBT
3	CC030VZFBT
5	CC050VZFBT
7	CC070VZFBT
10	CC100VZFBT
15	CC150VZFBT

◇ Flexible Extension Cable Sets

· For Motor/Encoder



● For Motor/Encoder

Length L [m]	Product Name
1	CC010VZRT
2	CC020VZRT
3	CC030VZRT
5	CC050VZRT
7	CC070VZRT
10	CC100VZRT
15	CC150VZRT

· For Motor/Encoder/Electromagnetic Brake



● For Motor/Encoder/ Electromagnetic Brake

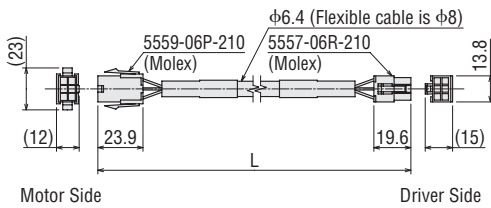
Length L [m]	Product Name
1	CC010VZRB
2	CC020VZRB
3	CC030VZRB
5	CC050VZRB
7	CC070VZRB
10	CC100VZRB
15	CC150VZRB

● Note on use of flexible cables → Page 143

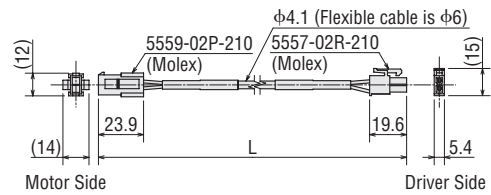
● Note on use of flexible cables → Page 143

● Dimensions (Unit = mm)

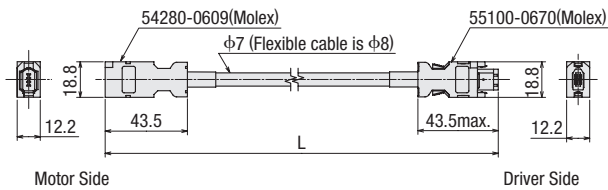
◇ Cable for Motor



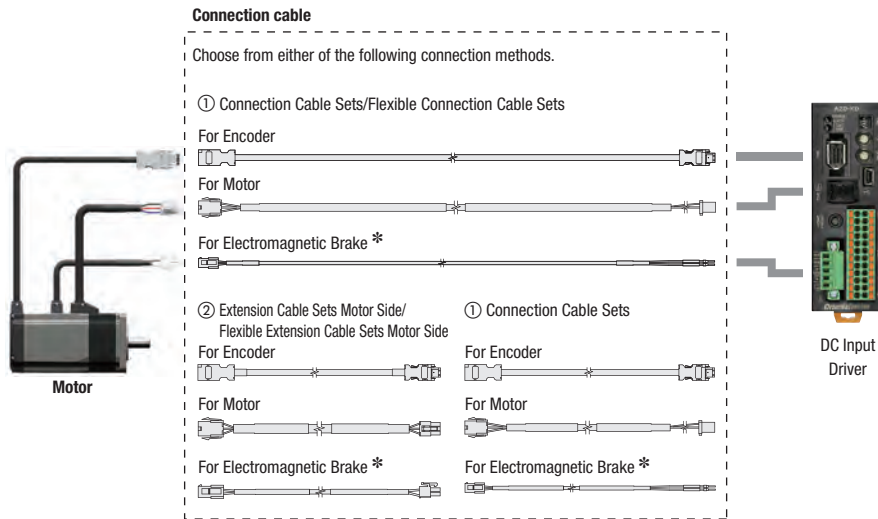
◇ Cable for Electromagnetic Brake



◇ Encoder Cable



■ Connection Cables (For DC input)



*Required for motors with an electromagnetic brake.

Note

- Up to three cables can be used to connect the motor and the driver.
- The maximum extension distance between the motor and driver is 20 m.

① Connection Cable Sets/Flexible Connection Cable Sets

This is a connection cable set used to connect the motor and the driver. Use the flexible connection cable set in applications where the cable is bent and flexed repeatedly.

The motor cable and electromagnetic brake cable from the motor cannot be connected directly to the driver.

When connecting to a driver, use a connection cable.

● Product Line

[For **AZM14**, **AZM15**, **AZM24** and **AZM26**]

◇ Connection Cable Set



● For Motor/Encoder

Length L [m]	Product Name
0.5	CC005VZ2F2
1	CC010VZ2F2
1.5	CC015VZ2F2
2	CC020VZ2F2
2.5	CC025VZ2F2
3	CC030VZ2F2
4	CC040VZ2F2
5	CC050VZ2F2
7	CC070VZ2F2
10	CC100VZ2F2
15	CC150VZ2F2
20	CC200VZ2F2

◇ Flexible Connection Cable Sets



● For Motor/Encoder

Length L [m]	Product Name
0.5	CC005VZ2R2
1	CC010VZ2R2
1.5	CC015VZ2R2
2	CC020VZ2R2
2.5	CC025VZ2R2
3	CC030VZ2R2
4	CC040VZ2R2
5	CC050VZ2R2
7	CC070VZ2R2
10	CC100VZ2R2
15	CC150VZ2R2
20	CC200VZ2R2

● Note on use of flexible cables → Page 143

[For **AZM46**, **AZM48**, **AZM66** and **AZM69**]

◇ Connection Cable Set · For Motor/Encoder



● For Motor/Encoder

Length L [m]	Product Name
0.5	CC005VZF2
1	CC010VZF2
1.5	CC015VZF2
2	CC020VZF2
2.5	CC025VZF2
3	CC030VZF2
4	CC040VZF2
5	CC050VZF2
7	CC070VZF2
10	CC100VZF2
15	CC150VZF2
20	CC200VZF2

· For Motor/Encoder/Electromagnetic Brake



● For Motor/Encoder/
For Electromagnetic Brake

Length L [m]	Product Name
0.5	CC005VZFB2
1	CC010VZFB2
1.5	CC015VZFB2
2	CC020VZFB2
2.5	CC025VZFB2
3	CC030VZFB2
4	CC040VZFB2
5	CC050VZFB2
7	CC070VZFB2
10	CC100VZFB2
15	CC150VZFB2
20	CC200VZFB2

◇ Flexible Connection
Cable Sets

· For Motor/Encoder



● For Motor/Encoder

Length L [m]	Product Name
0.5	CC005VZR2
1	CC010VZR2
1.5	CC015VZR2
2	CC020VZR2
2.5	CC025VZR2
3	CC030VZR2
4	CC040VZR2
5	CC050VZR2
7	CC070VZR2
10	CC100VZR2
15	CC150VZR2
20	CC200VZR2

· For Motor/Encoder/Electromagnetic Brake



● For Motor/Encoder/
For Electromagnetic Brake

Length L [m]	Product Name
0.5	CC005VZRB2
1	CC010VZRB2
1.5	CC015VZRB2
2	CC020VZRB2
2.5	CC025VZRB2
3	CC030VZRB2
4	CC040VZRB2
5	CC050VZRB2
7	CC070VZRB2
10	CC100VZRB2
15	CC150VZRB2
20	CC200VZRB2

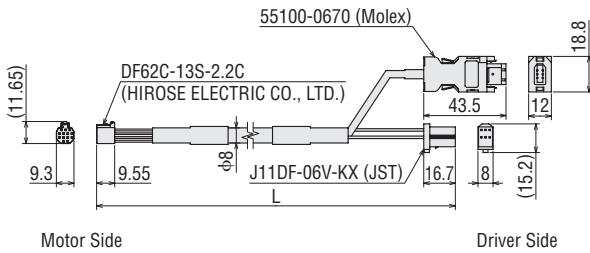
● Note on use of flexible cables → Page 143

● Note on use of flexible cables → Page 143

● Dimensions (Unit = mm)

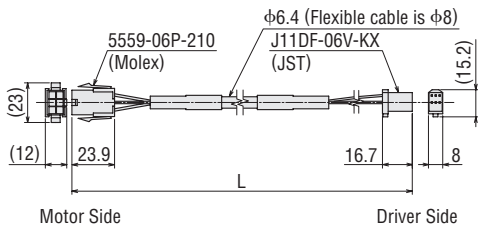
[For **AZM14**, **AZM15**, **AZM24** and **AZM26**]

◇ Cable for Motor

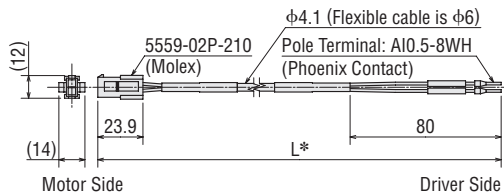


[For **AZM46**, **AZM48**, **AZM66** and **AZM69**]

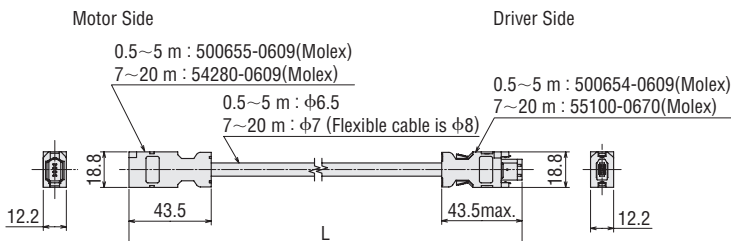
◇ Cable for Motor



◇ Cable for Electromagnetic Brake



◇ Encoder Cable



② Extension Cable Set - Motor Side/Flexible Extension Cable Set - Motor Side

This is a cable to extend the connection cable to the motor. When using an extension, the total length of the cable must be less than 20 m. Use the flexible extension cable set in applications where the cable is bent and flexed repeatedly.

● Product Line

[For **AZM14**, **AZM15**, **AZM24** and **AZM26**]

◇ Extension Cable



● For Motor/Encoder

Length L [m]	Product Name
1	CC010VZ2FT
2	CC020VZ2FT
3	CC030VZ2FT
5	CC050VZ2FT
7	CC070VZ2FT
10	CC100VZ2FT
15	CC150VZ2FT

◇ Flexible Extension Cables



● For Motor/Encoder

Length L [m]	Product Name
1	CC010VZ2RT
2	CC020VZ2RT
3	CC030VZ2RT
5	CC050VZ2RT
7	CC070VZ2RT
10	CC100VZ2RT
15	CC150VZ2RT

● Note on use of flexible cables → Page 143

[For **AZM46**, **AZM48**, **AZM66**, **AZM69**]

◇ Extension Cable Sets

· For Motor/Encoder



● For Motor/Encoder

Length L [m]	Product Name
1	CC010VZFT
2	CC020VZFT
3	CC030VZFT
5	CC050VZFT
7	CC070VZFT
10	CC100VZFT
15	CC150VZFT

· For Motor/Encoder/Electromagnetic Brake



● For Motor/Encoder/ Electromagnetic Brake

Length L [m]	Product Name
1	CC010VZFBT
2	CC020VZFBT
3	CC030VZFBT
5	CC050VZFBT
7	CC070VZFBT
10	CC100VZFBT
15	CC150VZFBT

◇ Flexible Extension Cable Sets

· For Motor/Encoder



● For Motor/Encoder

Length L [m]	Product Name
1	CC010VZRT
2	CC020VZRT
3	CC030VZRT
5	CC050VZRT
7	CC070VZRT
10	CC100VZRT
15	CC150VZRT

· For Motor/Encoder/Electromagnetic Brake



● For Motor/Encoder/ Electromagnetic Brake

Length L [m]	Product Name
1	CC010VZRBT
2	CC020VZRBT
3	CC030VZRBT
5	CC050VZRBT
7	CC070VZRBT
10	CC100VZRBT
15	CC150VZRBT

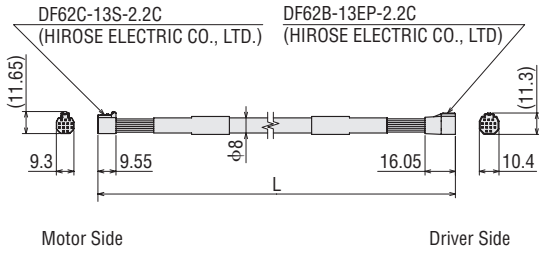
● Note on use of flexible cables → Page 143

● Note on use of flexible cables → Page 143

● Dimensions (Unit = mm)

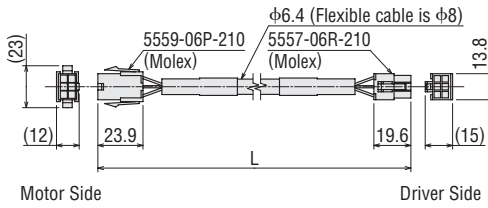
[For **AZM14**, **AZM15**, **AZM24** and **AZM26**]

◇ Cable for Motor

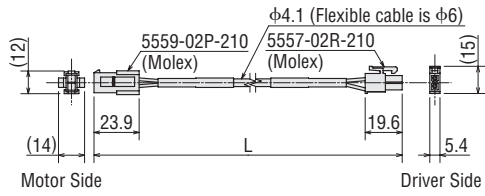


[For **AZM46**, **AZM48**, **AZM66** and **AZM69**]

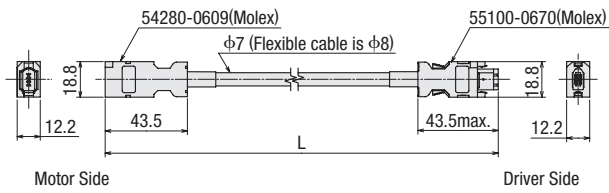
◇ Cable for Motor



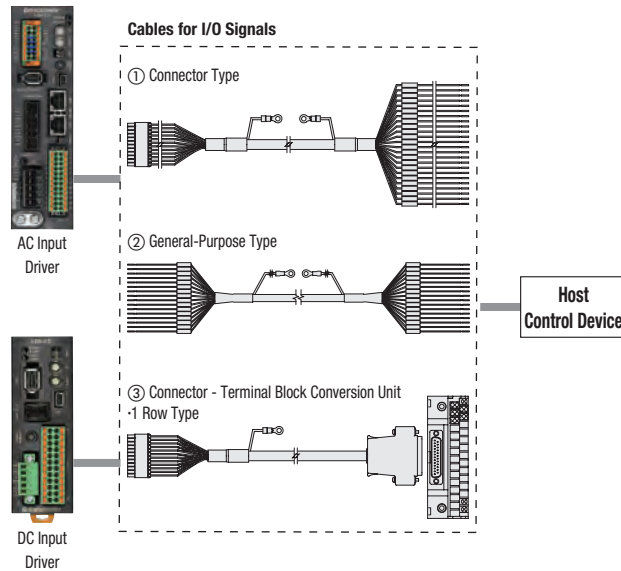
◇ Cable for Electromagnetic Brake



◇ Encoder Cable



Cables for I/O Signals



General-Purpose Type

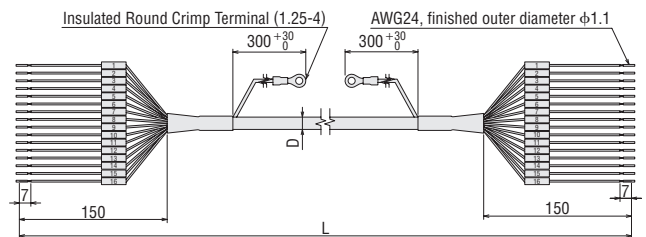
- Shielded Cable
- Unbundled wires on both ends
- Easy shield grounding using ground wire with a round terminal
- The number of lead wire cores can be selected to suit the functions that will be used



Product Line

Product Name	Length L [m]	Number of Lead Wire Cores	Outer diameter D [mm]	AWG
CC06D005B-1	0.5	6	φ5.4	24
CC06D010B-1	1			
CC06D015B-1	1.5			
CC06D020B-1	2			
CC10D005B-1	0.5	10	φ6.7	
CC10D010B-1	1			
CC10D015B-1	1.5			
CC10D020B-1	2			
CC12D005B-1	0.5	12	φ7.5	
CC12D010B-1	1			
CC12D015B-1	1.5			
CC12D020B-1	2			
CC16D005B-1	0.5	16	φ7.5	
CC16D010B-1	1			
CC16D015B-1	1.5			
CC16D020B-1	2			

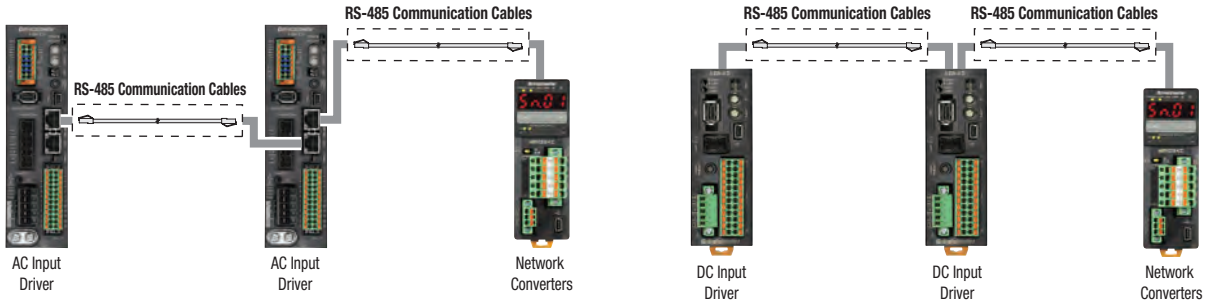
Dimensions (Unit = mm)



● The figure depicts 16 core wires.

RS-485 Communication Cables

These are cables used to connect two drivers together or to connect a driver and a network converter.

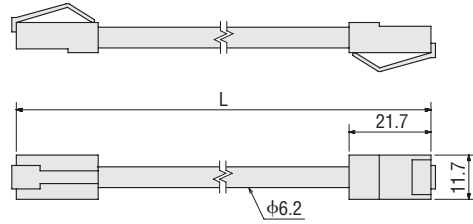


Product Line

Product Name	Length L [m]	Applicable Drivers
CC001-RS4	0.1	DC Input Driver
CC002-RS4	0.25	AC Input Driver DC Input Driver

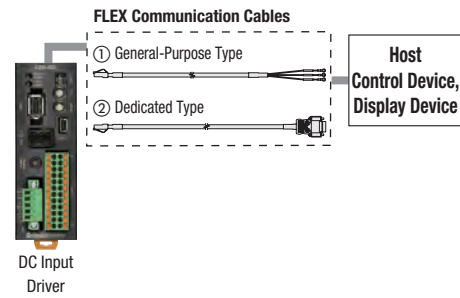
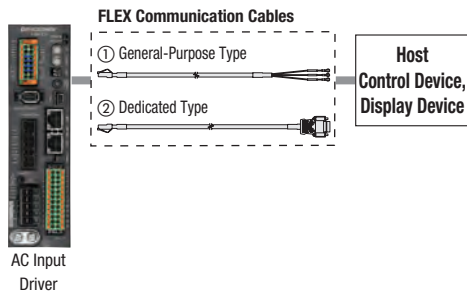


Dimensions (Unit = mm)



FLEX Communication Cables

This cable is convenient for connecting FLEX-compatible products to various equipment that is Modbus-controlled by RS-485. A general-purpose cable with unbundled wires at one end and a special-purpose type that can connect directly to the programmable display (from Schneider Electric Japan or Hakko Electronic) are both available.



① General-Purpose Type

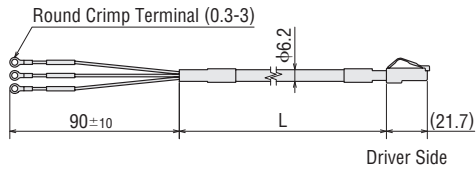


● Product Line

Product Line	Product Name	Length L [m]
General-Purpose Type*	CC02FLT	2
	CC05FLT	5

*A terminating resistor is included.

● Dimensions (Unit = mm)



② Special-Purpose Type



● Product Line

Product Line	Product Name	Length L [m]
Special-Purpose Type Schneider Electric Japan Inc. GP3000 Series for COM1 LT3300 Series GP4000 Series For RS-485 COM1, COM2	CC02FLT2	2
	CC05FLT2	5
Special-Purpose Type Schneider Electric Japan Inc. GP3000 Series for COM2*1	CC02FLT3	2
	CC05FLT3	5
Special-Purpose Type Hakko Electronic V8 Series*2 for MJ1 and MJ2	CC02FLT4	2
	CC05FLT4	5

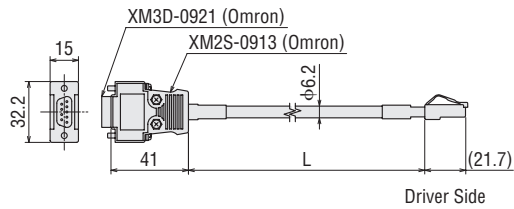
● A terminating resistor is built-in.

*1 When using the product for COM2, the online adapter CA4-ADP0NL-01, an accessory from Schneider Electric Japan, is required.

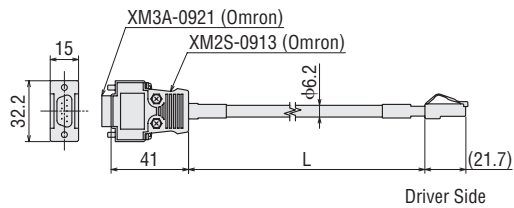
*2 Excluding V808iCH and V808CH

● Dimensions (Unit = mm)

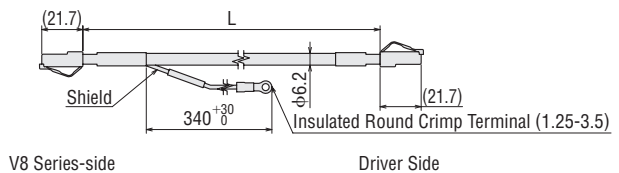
CC02FLT2, CC05FLT2

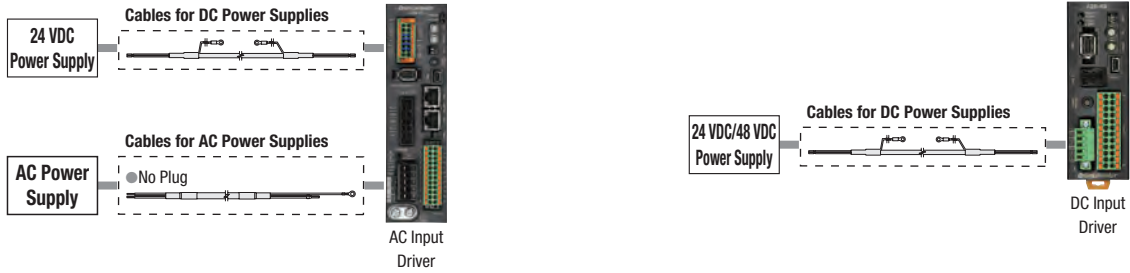


CC02FLT3, CC05FLT3



CC02FLT4, CC05FLT4





Cables for AC Power Supplies

These cables are used to connect the driver and the AC power supply. Cables are available with or without a power supply plug.

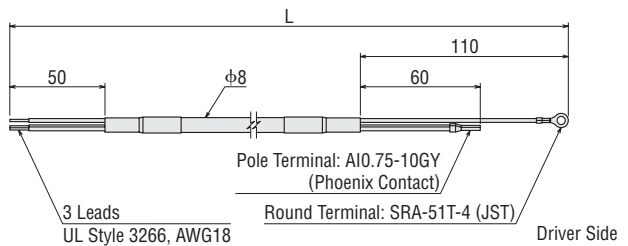


Product Line

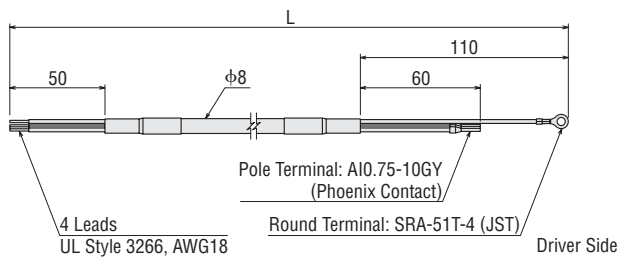
Product Name	Power Supply Voltage	Length L [m]
CC01AC03N	Single-Phase 100-	1
CC02AC03N	120 VAC	2
CC03AC03N	Single-Phase 200-	3
	240 VAC	
CC01AC04N	Three-Phase	1
CC02AC04N	200-240 VAC	2
CC03AC04N		3

Dimensions (Unit = mm)

Single-Phase



Three-Phase



Cables for DC Power Supplies

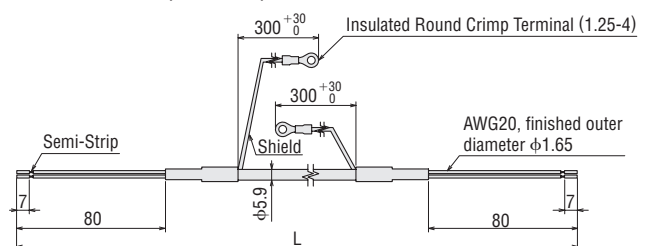
These cables are used to connect the driver and the DC power supply.

Product Line

Product Name	Length L [m]
CC02D005-3	0.5
CC02D010-3	1
CC02D015-3	1.5
CC02D020-3	2
CC02D050-3	5



Dimensions (Unit = mm)

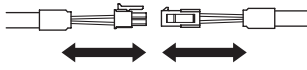
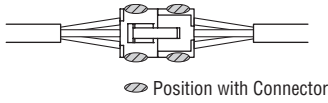


■ Note on Use of Cables

● Note when Connecting Connectors

When inserting or removing connectors, always hold the connector.

Pulling on the cable may result in connection faults.



◇ When Inserting the Connector

Hold the connector body and insert as straight as possible.

If the connector is angled while inserted, it may result in damage to the terminals or connection faults.

◇ When Removing the Connector

Disengage the connector's lock and pull straight out.

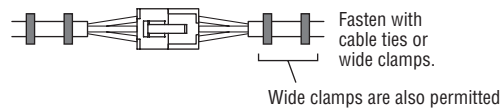
If the connector is disengaged by pulling the cable, it may result in damage to the connector.

● Notes on Routing of Flexible Cables

Do not bend the cable at the connector. This will apply stress to the connector and the terminal, and may result in connection faults or disconnections.

◇ Cable Fixing Method

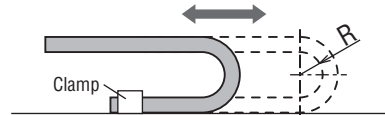
Please fix in 2 locations to prevent movement of the connector.



◇ Cable Routing Length and Bend Radius

When routing cables, use an appropriate length that prevents pulling when the cable is moved.

The bend radius must be at least 6 times the cable diameter



◇ Cable Interference

When routing cables inside a cable holder, ensure that the cables do not interfere with each other. This will apply stress to the connector and the terminal, and may result in premature disconnection. Please carefully check the cautions when using cable holders.

◇ Twisting of Cables

Route the cables so that they do not become twisted. Premature wire breaking may occur if they are bent while twisted.

After routing the wires, use the markings on the surface of the cable to ensure that the cables are not twisted.

Peripheral Equipment

Motor Mounting Brackets

Mounting brackets convenient for installing motors are available.
 Pilot holes on the motor are used to allow for snug mounting. (Excluding **SOL**)
 Motor installation screws are included. (Excluding **SOL**)



SOL

Product Line

For TS Geared Type

Product Name	Motor Frame Size	Applicable Product
SOL0B	42 mm	AZM46
SOL2M4	60 mm	AZM66
SOL5M8	90 mm	AZM98

Mounting Brackets for Circuit Products



MADP06



<Application Example>



MAFPO2



<Application Example>

Material: SPCC

Surface Treatment: Electroless Nickel Plating

Product Name	Applicable Product	Overview & Features
MADP06	AC Input Driver*	This is the installation bracket used to mount the driver to a DIN rail.

*Ambient temperature of 40°C or less

Connector Cover



<Application Example>

This is a resin cover for protecting and securing the connected connector part of the cable.

- Protection level equivalent to IP20
- It can even be installed after connecting the motors and drivers.
- It is a structure to secure cables and protect lead wires.
- Can be attached to the equipment using two mounting holes (φ4.5)

Prices

Material: Nylon

Product Name
MAC-D *1
MAC-D02 *2

*1 Encoder cable, excluding **AZM14**, **AZM15**, **AZM24** and **AZM26**

*2 For encoder cables

Regeneration Unit



During vertical drive (gravitational operation) or sudden start/stop in large inertia, an external force causes the motor to rotate and function as a power generator. When the regenerative power exceeds the driver's regenerative power absorption capacity, it may cause damage to the motor.

In such a case, the regeneration unit is connected to the driver to convert regenerative power into thermal energy for dissipation.

● Prices

Product Name	Applicable Product
RGB100	AC Input Driver

● Specifications

Product Name	RGB100
Continuous Regenerative Power	50 W
Resistance Value	150 Ω
Thermal Protector Operating Temperature	Operation: 150 ± 7°C Return: 145 ± 12°C (Normally closed)
Thermal Protector Electrical Rating	120 VAC 4 A 30 VDC 4 A (Min. current 5 mA)

- Install the regeneration unit in a place that has the same heat radiation capability as the heat sink (material: aluminum 350×350 mm, 3 mm thick).

System Configuration

Product Line

Specifications and Characteristics

Dimensions

Connection and Operation

System Configuration

Product Line

Specifications and Characteristics

Dimensions

Connection and Operation

Cables/
Peripheral
Equipment

Network Converters

Network converters convert host communication protocol to Oriental Motor's original RS-485 communication protocol. A network converter can be used to control Oriental Motor's RS-485-compatible products within the host communication environment.

Product Line

Network Type	Product Name
CC-Link Ver.1.1 Compatible	NETC01-CC
CC-Link Ver.2 Compatible	NETC02-CC
MECHATROLINK-II Compatible	NETC01-M2
MECHATROLINK-III Compatible	NETC01-M3
EtherCAT Compatible	NETC01-ECT



NETC01-CC

NETC02-CC

NETC01-M2

NETC01-M3

NETC01-ECT

System Configuration	Product Line	Specifications and Characteristics	Dimensions	Connection and Operation	System Configuration	Product Line	Specifications and Characteristics	Dimensions	Connection and Operation	Cables/ Peripheral Equipment
AC Input					DC Input					

Orientalmotor

These products are manufactured at plants certified with the international standards **ISO 9001** (for quality assurance) and **ISO 14001** for systems of environmental management).

Specifications are subject to change without notice. This catalogue was published in January 2024.

ORIENTAL MOTOR (EUROPA) GmbH

European Headquarters

Schießstraße 44
40549 Düsseldorf, Germany
Tel: 0211 5206700 Fax: 0211 52067099

Spanish Office

C/Caléndula 93 - Ed. E - Miniparc III
28109 El Soto de La Moraleja,
Alcobendas (Madrid), Spain
Tel: +34 918 266 565

ORIENTAL MOTOR (UK) LTD.

UK Headquarters

Unit 5, Faraday Office Park,
Rankine Road, Basingstoke,
Hampshire RG24 8AH, U.K.
Tel: +44 1256 347090 Fax: +44 1256 347099

ORIENTAL MOTOR SWITZERLAND AG

Switzerland Headquarters

Badenerstrasse 13
5200 Brugg AG, Switzerland
Tel: +41 56 560 50 45 Fax: +41 56 560 50 47

ORIENTAL MOTOR ITALIA s.r.l.

Italy Headquarters

Via XXV Aprile 5
20016 Pero (MI), Italy
Tel: +39 2 93906346 Fax: +39 2 93906348

ORIENTAL MOTOR (FRANCE) SARL

France Headquarters

56, Rue des Hautes Pâtures
92000 Nanterre, France
Tel: +33 1 47 86 97 50 Fax: +33 1 47 82 45 16

Customer Service Center (Support in German & English)

00800 22 55 66 22*

Mon-Thu: 08:00 - 16:30 CET

Friday: 08:00 - 15:00 CET

*Free Call Europe

info@orientalmotor.de

WWW.ORIENTALMOTOR.EU

EN | DE | UK | IT | FR | ES