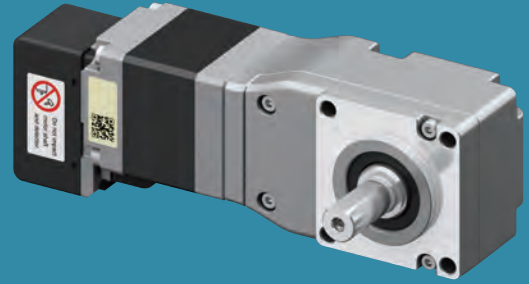


α STEP AZ Series

Right-Angle **FC** Geared Type
Frame Size 35 mm **NEW**

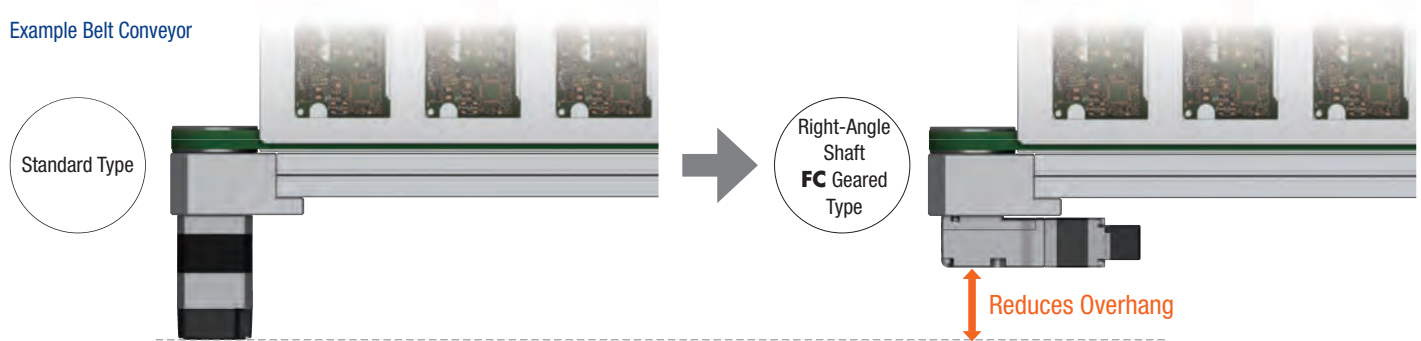


AZ Series Right-Angle **FC** Geared Type now includes a 35 mm Frame Size. This contributes to space saving of the equipment.

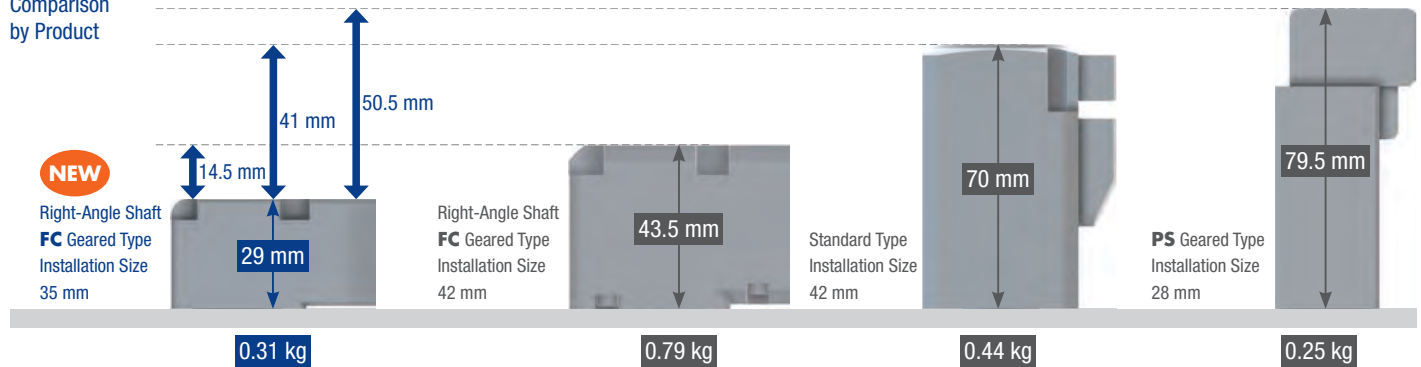
Compact & Space Saving

The right-angle **FC** geared type can reduce motor overhang.

Example Belt Conveyor

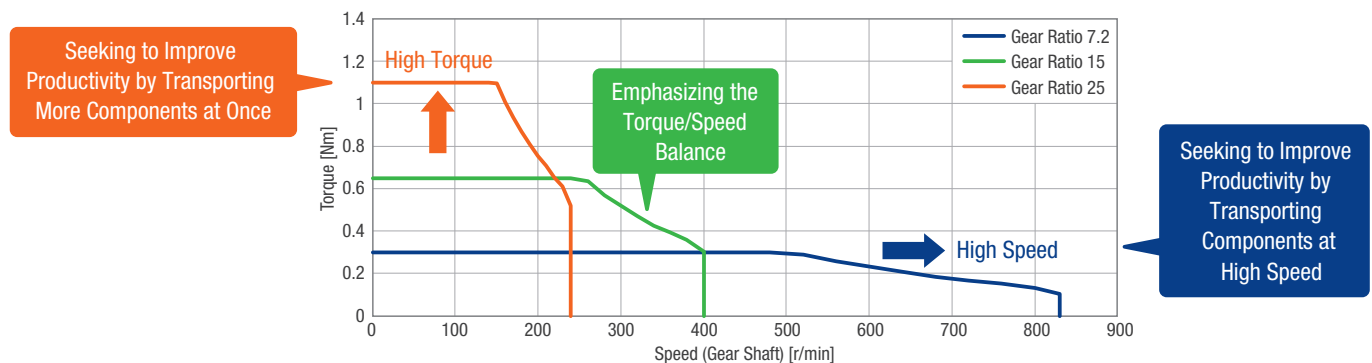


Comparison by Product



Supports a Wide Range of Torque Bands

Three types of gear ratios are available. Select based on the application needs/ requirements.



Seeking to Improve Productivity by Transporting More Components at Once

Seeking to Improve Productivity by Transporting Components at High Speed

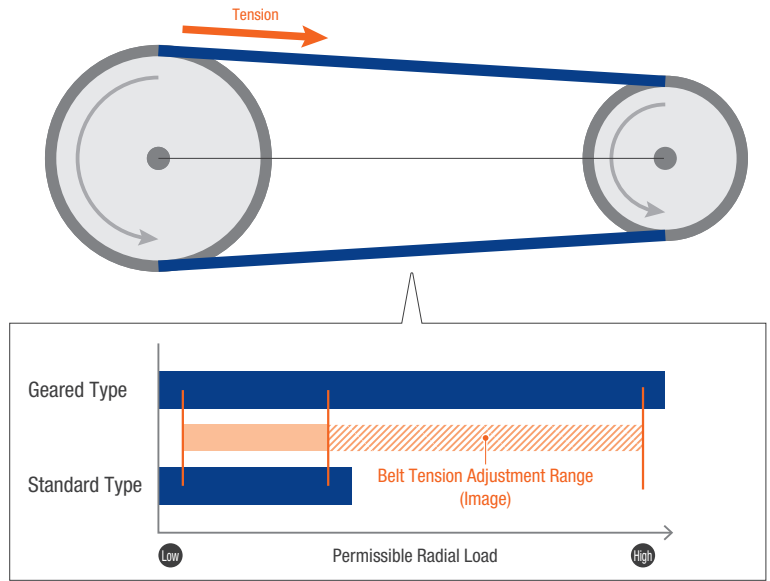
High Strength

By utilizing the characteristics of the geared type, high strength and an increased permissible radial load can be achieved. The belt and pulley mechanism allows for a high safety factor relative to the belt tension, which makes tension adjustments easier.



* Position distance from shaft end is 15 mm

Belt and Pulley Mechanism



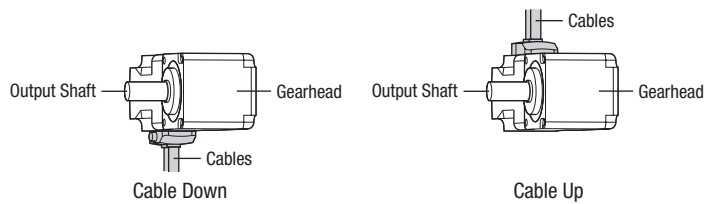
Product Number

AZM 2 4 A K - FC 7.2 U A

① ② ③ ④ ⑤ ⑥ ⑦ ⑧ ⑨

①	Motor Type	AZM: AZ Series Motor
②	Motor Frame Size	2: 35 mm
③	Motor Case Length	
④	Output Shaft Type	A: Single Shaft
⑤	Motor Type	K: DC Input Specification
⑥	Geared Type	FC: FC Geared Type
⑦	Gear Ratio	
⑧	Cable Outlet Direction*1	D: Down U: Up
⑨	Identification	A: Solid Shaft

*1 The cable direction is as viewed from the gearhead with the output shaft facing left.



Product Line

Product Name
AZM24AK-FC7.2DA
AZM24AK-FC7.2UA
AZM24AK-FC15DA
AZM24AK-FC15UA
AZM24AK-FC25DA
AZM24AK-FC25UA

Recommended to connect to mini drivers and multi-axis drivers. Please see the website or individual catalog for details.



mini Driver



Multi-Axis Driver

Specifications

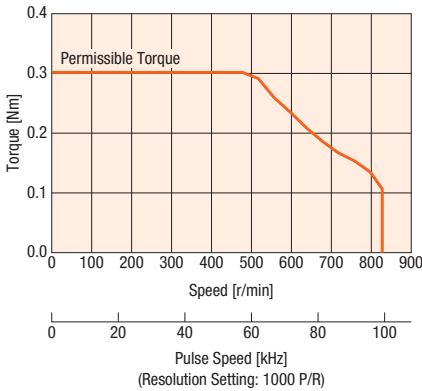


Motor Product Name	Single Shaft	AZM24AK-FC7.2□A	AZM24AK-FC15□A	AZM24AK-FC25□A
Driver Product Name		AZD-KD, AZD-KX, AZD-K, AZD-KEP, AZD-KED, AZD-KPN		
Max. Holding Torque	Nm	0.3	0.65	1.1
Rotor Inertia	J: kgm ²	9.2×10 ⁻⁷		
Gear Ratio		7.2	15	25
Resolution	Resolution Setting: 1000 P/R	0.05°/Pulse	0.024°/Pulse	0.0144°/Pulse
Permissible Torque	Nm	0.3	0.65	1.1
Holding Torque at Motor Standstill	Nm	0.3	0.65	1.1
Permissible Speed Range	r/min	0 - 833	0 - 400	0 - 240
Backlash	arcmin	40 (0.67°)	30 (0.50°)	25 (0.42°)
Power Supply Input	Main Power Supply	Input Voltage	24 VDC±5%	
		Input Current	1.6	
	Control Power Supply*1	Input Voltage	24 VDC±5%	
		Input Current	0.15	

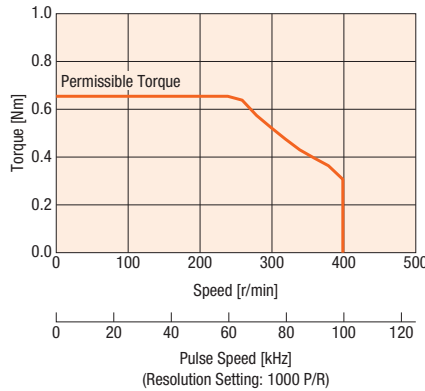
- Either **U** (Up) or **D** (Down) indicating the cable outlet direction is specified where the box □ is located in the product name.
- A portion of the driver product names are listed. Can be combined with mini drivers and multi-axis drivers. Please see the website or individual catalog for details.
- *1 Excluding **AZD-KD**, **AZD-KX** and **AZD-K**
- *2 Excluding the motor

Speed – Torque Characteristics (Reference Values)

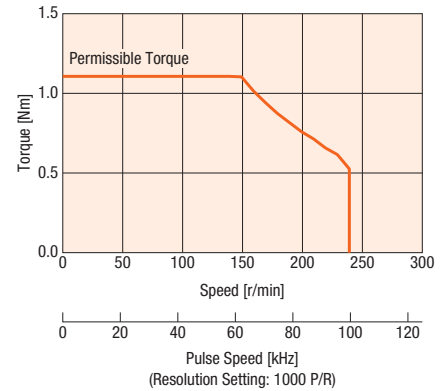
AZM24 Gear Ratio 7.2



AZM24 Gear Ratio 15



AZM24 Gear Ratio 25



- Note**
- Data for the speed – torque characteristics is based on Oriental Motor's internal measurement conditions. If the conditions are changed, the characteristics may also change as a result.
 - Depending on the driving conditions, a considerable amount of heat may be generated by the motor. To protect the ABZO Sensor, be sure to keep the temperature of the motor case at 80°C or less.

Permissible Radial Load and Permissible Axial Load

Unit: N

Type	Motor Frame Size	Product Name	Gear Ratio	Permissible Radial Load					Permissible Axial Load
				Distance from Shaft End [mm]					
				0	5	10	15	20	
FC Geared Type	35 mm	AZM24	7.2, 15, 25	80	120	180	230	–	80

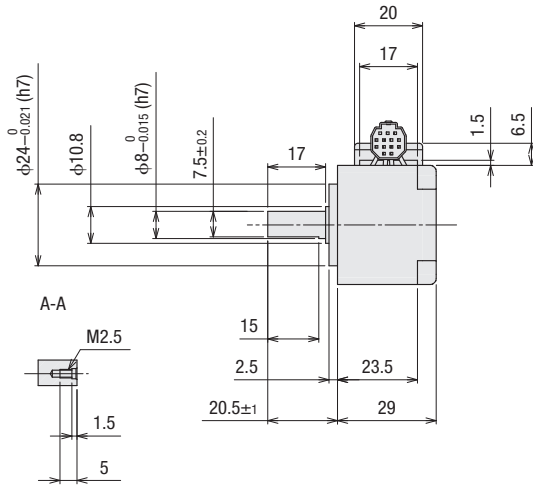
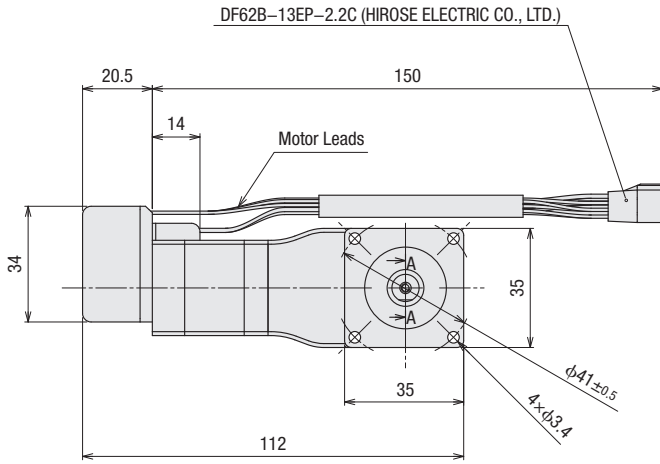
- The product names are listed such that the product names are distinguishable.

Dimensions (Unit = mm)

Frame Size 35 mm Cable Outlet Direction Up

Product Name	Gear Ratio	Mass [kg]
AZM24AK-FC□UA	7.2, 15, 25	0.31

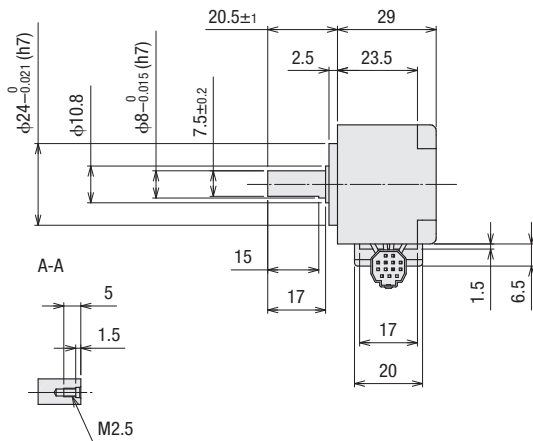
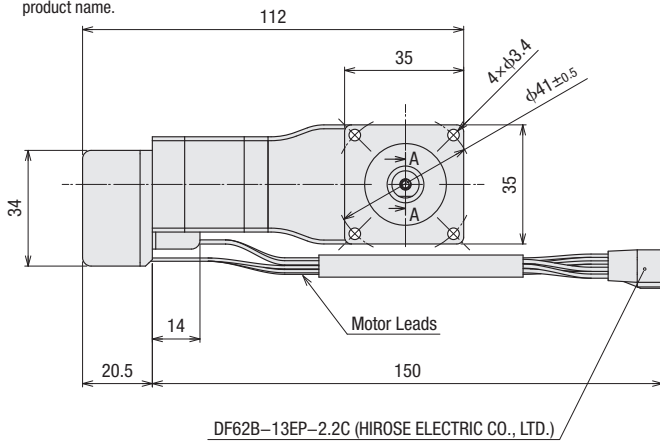
● A number indicating the gear ratio is specified where the box □ is located in the product name.



Frame Size 35 mm Cable Outlet Direction Down

Product Name	Gear Ratio	Mass [kg]
AZM24AK-FC□DA	7.2, 15, 25	0.31

● A number indicating the gear ratio is specified where the box □ is located in the product name.



Orientalmotor

Specifications are subject to change without notice. This catalogue was published in March 2024.

www.orientalmotor.eu

EN	UK	DE
IT	FR	ES

Customer Service Center (German & English)
Free Hotline 00800-22 55 66 22 - info@orientalmotor.de

These products are manufactured at plants certified with the international standards ISO 9001 (for quality assurance) and ISO 14001 (for systems of environmental management).