

α STEP AZ Series mini Driver

DC Input

Modular Automation Products

NEW

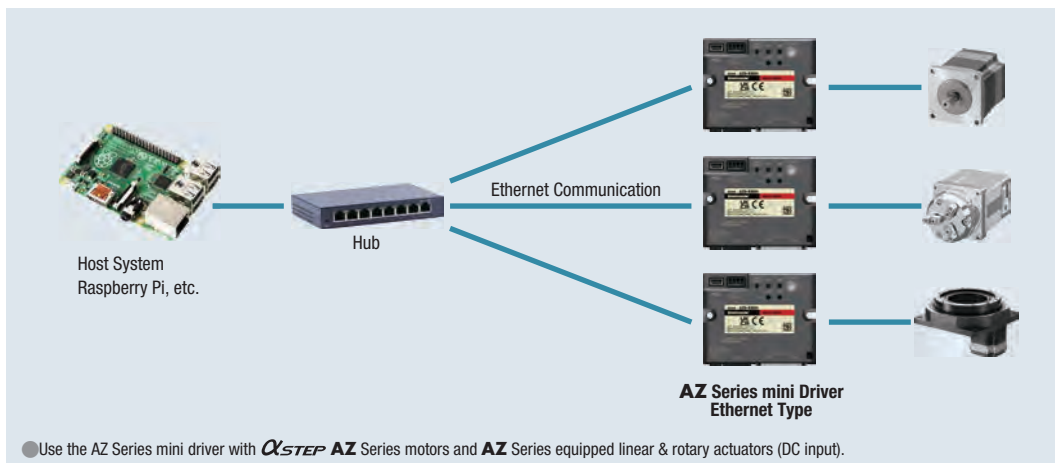
Ethernet Type

Protocol: Modbus (TCP, UDP)



- Direct connection to a single-board computer
- Use Python or other language on host system for quick startup
- High accuracy positioning with Oriental Motor motors and linear & rotary actuators

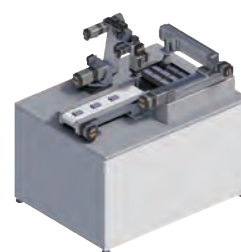
Can be Directly Connected to a Single-board Computer or PC without the Use of a PLC



Self-propelled Machines



Robots



Stationary Machines

Direct Motor Control with Python or Another Language for Fast Setup

1. Initial setting

Use of Oriental Motor Support Software
MEXE02 (free)

- IP address
- Netmask, etc.

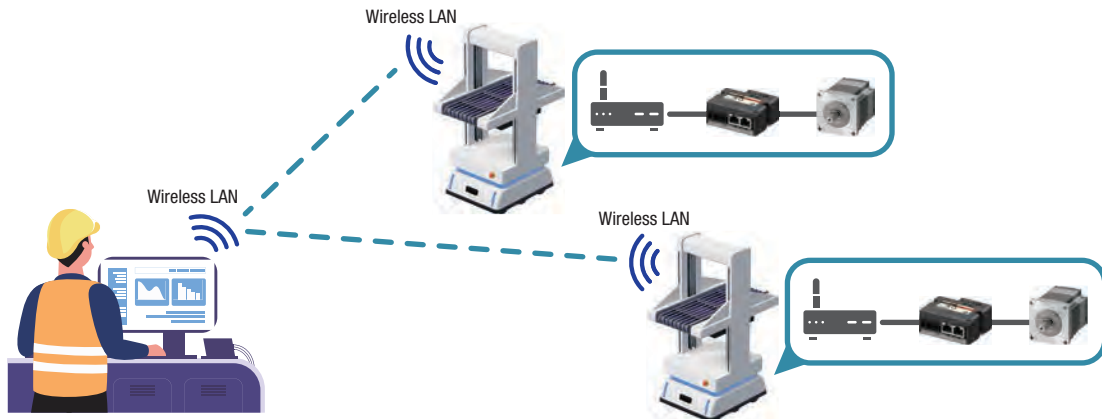
2. Creation of program on host system

- Python, C, C++, and C# can be used

3. Operation with commands

Build a Wireless System over Ethernet

Remote operations are possible over a wireless LAN for self-propelled equipment and stationary equipment. Wirelessly configure driver data and monitor with the Oriental Motor Support Software **MEXE02** (Ethernet version).
 ● The Support Software **MEXE02** (Ethernet version) can be downloaded for free from the Oriental Motor website.



Specifications, Dimensions, and Compatible Products

● Product Line

◇ EtherNet Compatible

Product Name	
	AZD-KREN

● Specifications

◇ Interface

Control Input	20 - 32 VDC 2 Points, Photocoupler
Field Network	Modbus TCP Modbus UDP

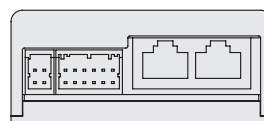
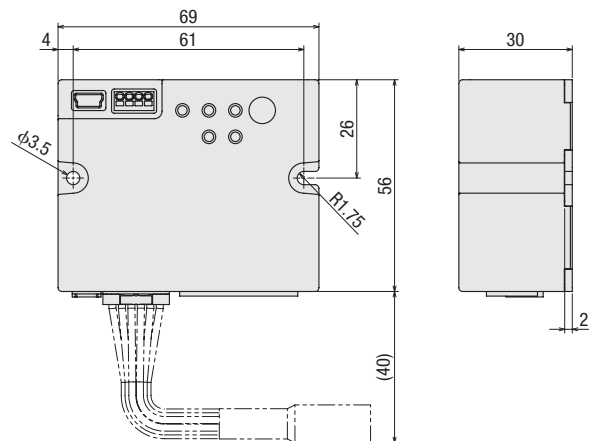
◇ Degree of Protection: IP20

● Communication Specifications

Baud Rate	100 Mbps
Communication Mode	Full Duplex (Autonegotiation)
Cable Specifications	Shielded Twisted-Pair (STP) Cable Stroke/Cross, Category 5e min. Recommended
Communication Connector	RJ45×2 (Shield-compatible)
Compatible Topologies	Star, Tree, Line

● Dimensions (Unit: mm)

Mass 110 g



- Applicable Connector (Molex)
- Power Connector (CN1)
- Connector Housing: 1-1827864-2 (TE Connectivity)
- Contact: 1827589-2 (TE Connectivity)

● Combined Products

◇ Motor

DC Power Supply Input **αSTEP AZ** Series

◇ Linear & Rotary Actuators

Power Supply Input	Motor	Series Name
DC Input	αSTEP AZ Series Equipped	Electric Linear Slides EZS Series (Including products for cleanroom use)
		Electric Linear Cylinders EAC Series
		Compact Electric Linear Cylinders DR Series / DRS2 Series
		Electric Grippers EH Series
		Hollow Rotary Actuators DGI Series

Orientalmotor

Specifications are subject to change without notice. This catalogue was published in March 2024.

www.orientalmotor.eu

EN	UK	DE
IT	FR	ES

Customer Service Center (German & English)
Free Hotline 00800-22 55 66 22 - info@orientalmotor.de

These products are manufactured at plants certified with the international standards ISO 9001 (for quality assurance) and ISO 14001 (for systems of environmental management).